

A2D

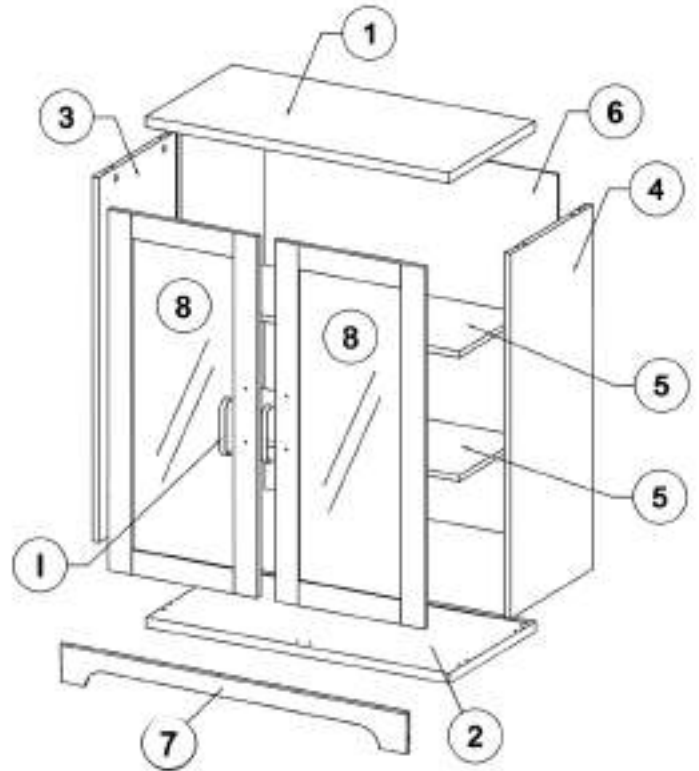
DISPLAY UNIT



Assembly Instructions

• PARTS LIST

PART LIST		QTY
1	TOP PANEL	1 PC
2	BOTTOM PANEL	1 PC
3	SIDE PANEL - L	1 PC
4	SIDE PANEL - R	1 PC
5	SHELF PANEL	2 PCS
6	BACK PANEL	1 PC
7	CABINET SKIRTING	1 PC
8	DOOR PANEL	2 PCS



• SCREW LIST

HARDWARE			
A	MINI FIX	A1 A2	8 SETS
B	M8 X 40MM DOWEL		13 PCS
C	M6 X 16MM C.B SCREW		26 PCS
D	METAL SHELF SUPPORT		8 PCS
E	D'CRANK HINGES SOFT CLOSE		2 SETS
F	DOOR STOPPER		1 PC
G	HANDLE SCREW M4 X 19MM		4 PCS
H	HANDLE 1159-128SSE		2 PCS

SELF-PREPARED TOOLS: Tools below are NOT included in package.



SCREWDRIVER

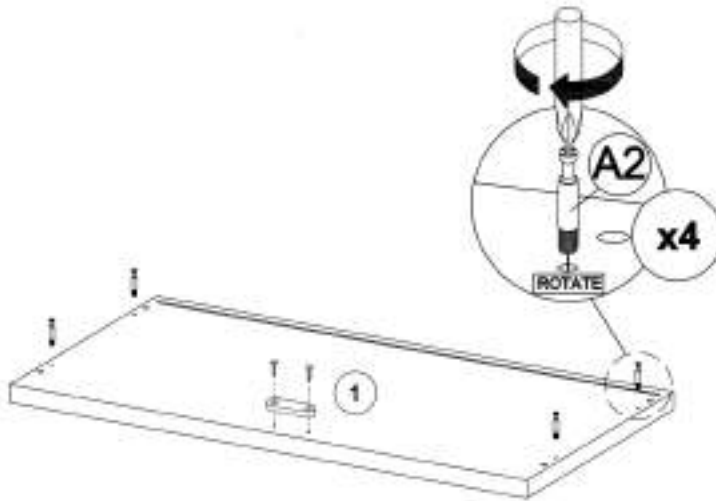


HAMMER



POWER DRILL


1

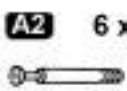


• SCREWS

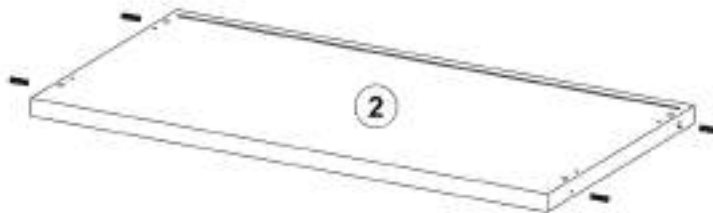
F  x 1

• SCREWS

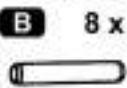
C 6 x 16 MM  x 2

A2 6 x 40 MM  x 4

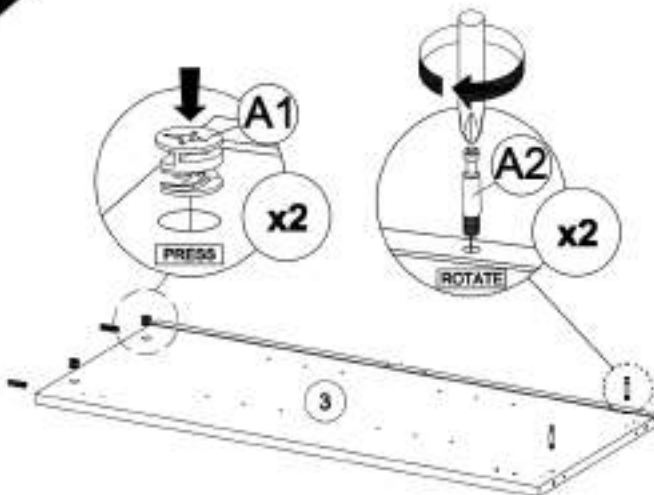
2



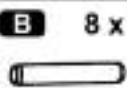
• SCREWS

B 8 x 40 MM  x 4


3




• SCREWS

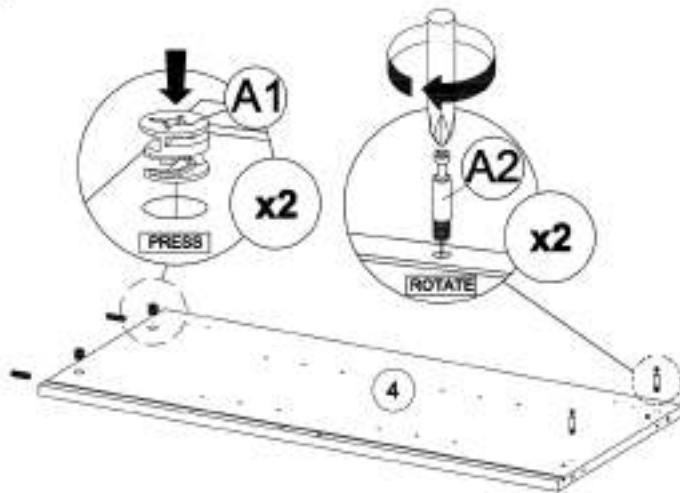
B 8 x 40 MM  x 2

• SCREWS


A1 Ø 15 MM  x 2

A2 6 x 40 MM  x 2


4




• SCREWS

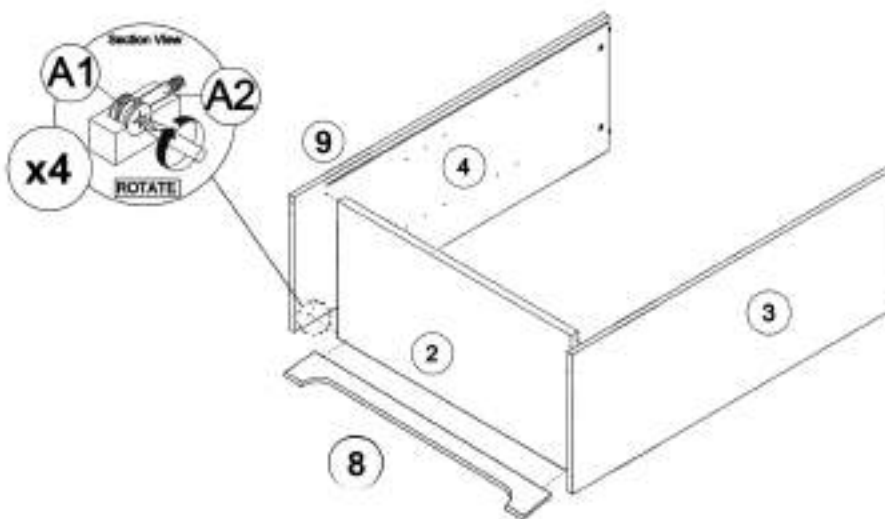
B 8 x 40 MM
 x 2

• SCREWS


A1 Ø 15 MM
 x 2

A2 6 x 40 MM
 x 2


5




• SCREWS

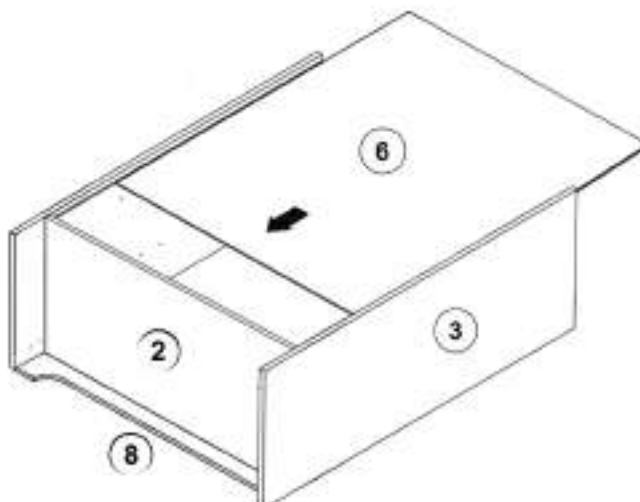
B 8 x 40 MM
 x 5

• SCREWS

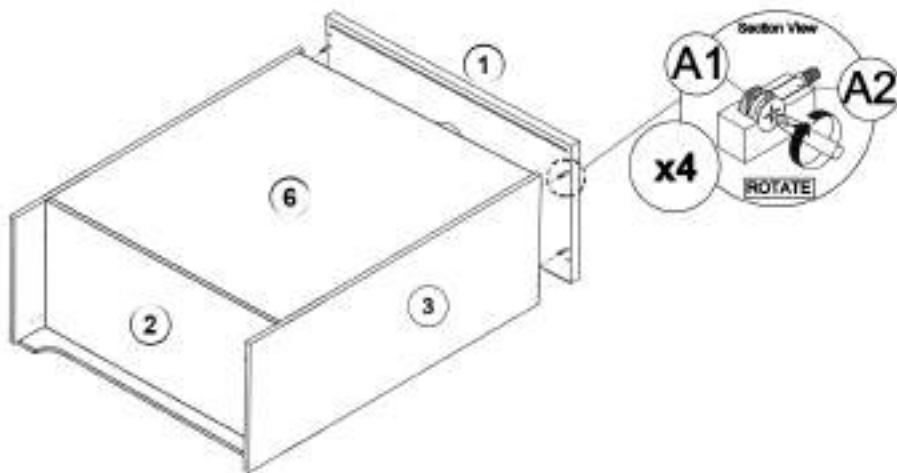
A1 Ø 15 MM
 x 4

A2 6 x 40 MM
 x 4

6



7



• SCREWS

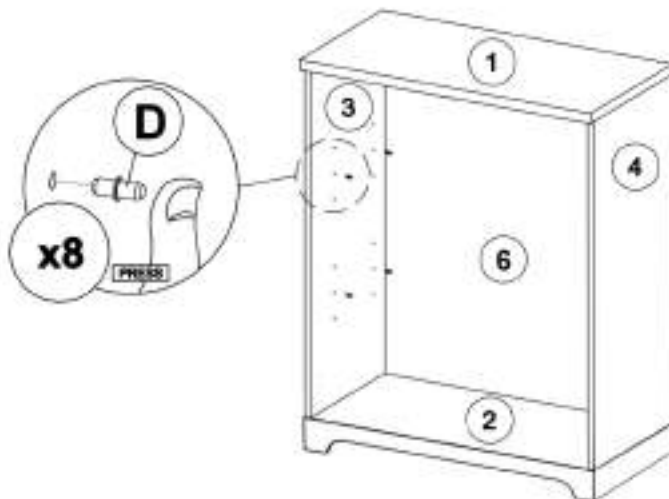
A1 Ø 15 MM

 x 4

A2 6 x 40 MM

 x 4

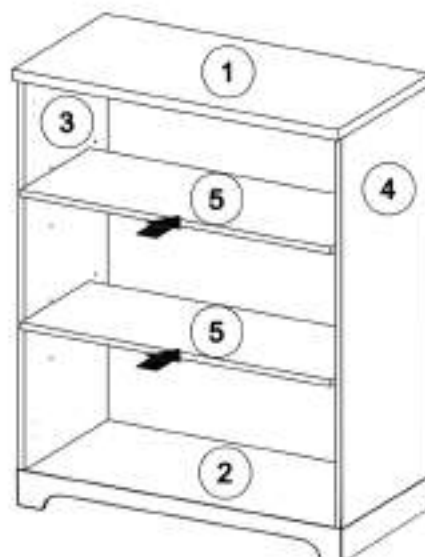
8



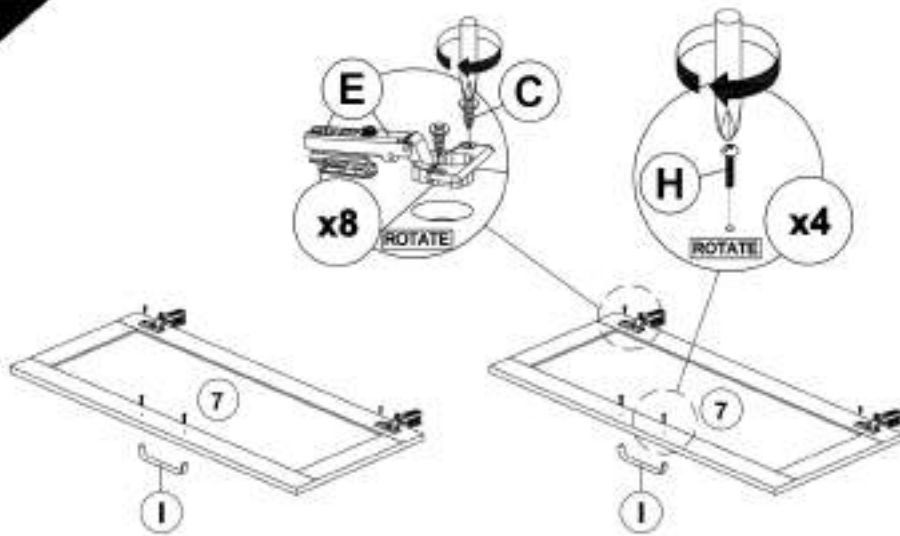
• SCREWS

D  x 8

9



10



• SCREWS

C 6 x 16 MM

 x 8



H



x 2

• SCREWS

E



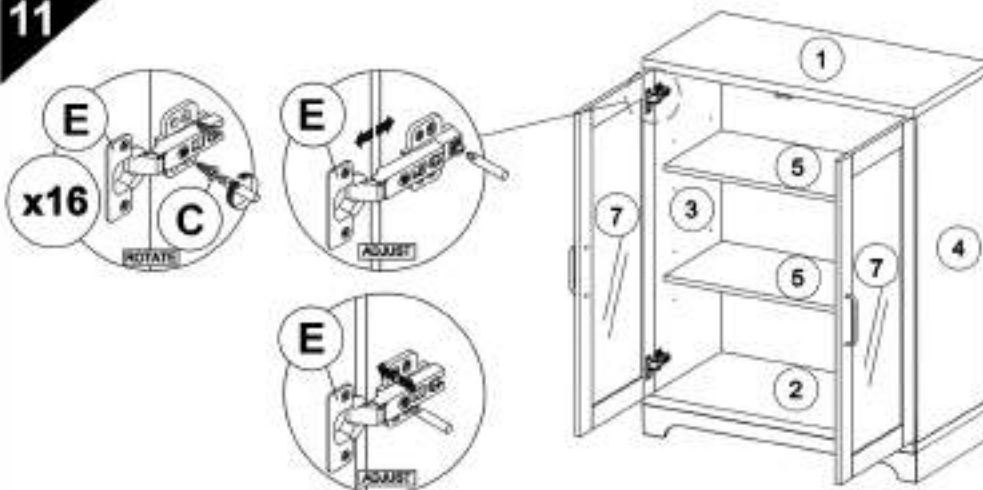
x 4

G 4 x 19 MM

 x 4



11



• SCREWS

C 6 x 16 MM

 x 16







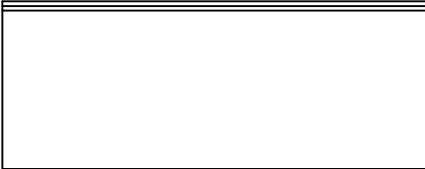

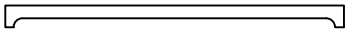
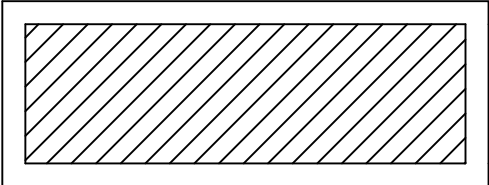
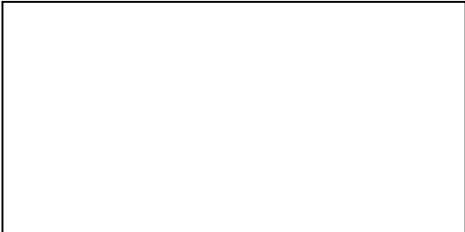

E





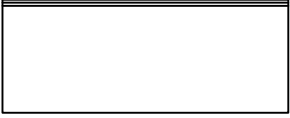
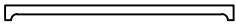
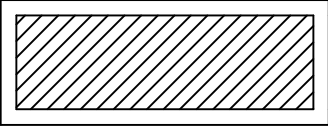
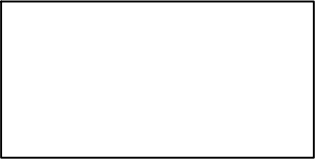
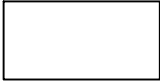


x 4

CONGRATULATIONS!!!



SL .NO	COMPONENT	DRAWING	QTY	REMARKS
1	SIDE LH PART-03		1	
2	SIDE LH PART-04		1	
3	TOP PART-01		1	
4	AJ. SHELF PART-05		1	
5	BOTTOM PART-02		1	
6	AJ. SHELF PART-05		1	
7	SKIRTING PART-07		1	
8	GLASS SHUTTER PART-08		2	
9	BACK PANEL PART-06		1	
10	HARDWARE KIT		1	

SL .NO	COMPONENT	DRAWING	QTY	REMARKS
1	SIDE LH PART-03		1	
2	SIDE RH PART-04		1	
3	TOP PART-01		1	
4	AJ. SHELF PART-05		2	
5	BOTTOM PART-02		1	
7	SKIRTING PART-07		1	
8	GLASS SHUTTER PART-08		2	
9	BACK PANEL PART-06		1	
10	HARDWARE KIT		1	

