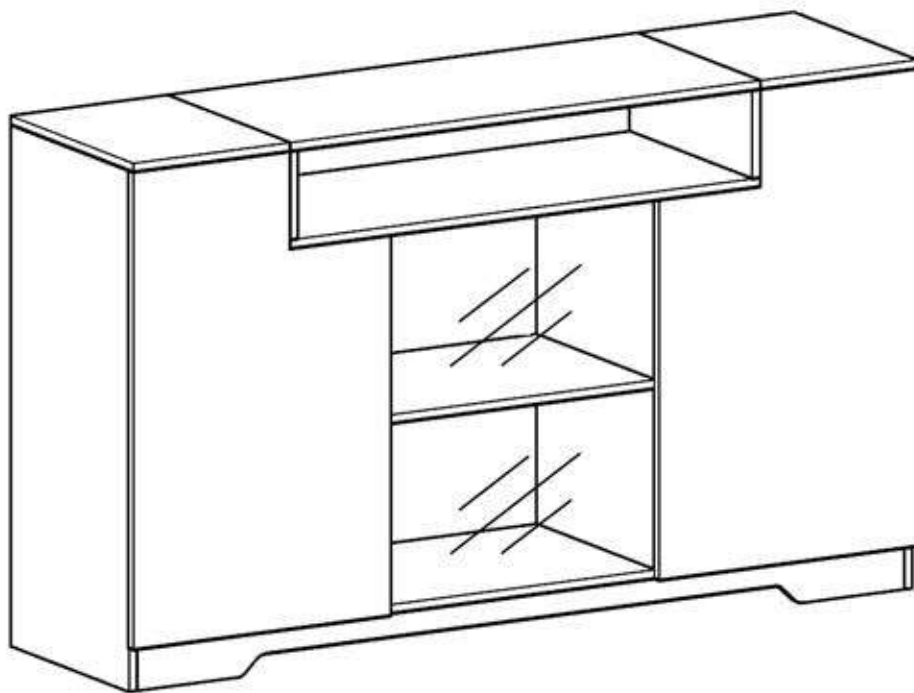


# CFW 1

## ASSEMBLY INSTRUCTION

Thanks for purchasing one of our products, please read carefully the assembly instructions before installation (Attention: Do not tighten the screws before all screws are in place).



**TWO PEOPLE REQUIRED**

### General Care:

- Keep your furniture out on direct sunlight-Use desk pads and coasters to protect the surface from dents, scratches and moisture from hot and cold liquids.

### Cleaning:

- For cleaning, wipe the surface with a damp (not with) cloth or wipe dry with a clean lint free cotton cloth.
- Window cleaning liquid or a similar cleaning liquid can be used to clean glass surfaces

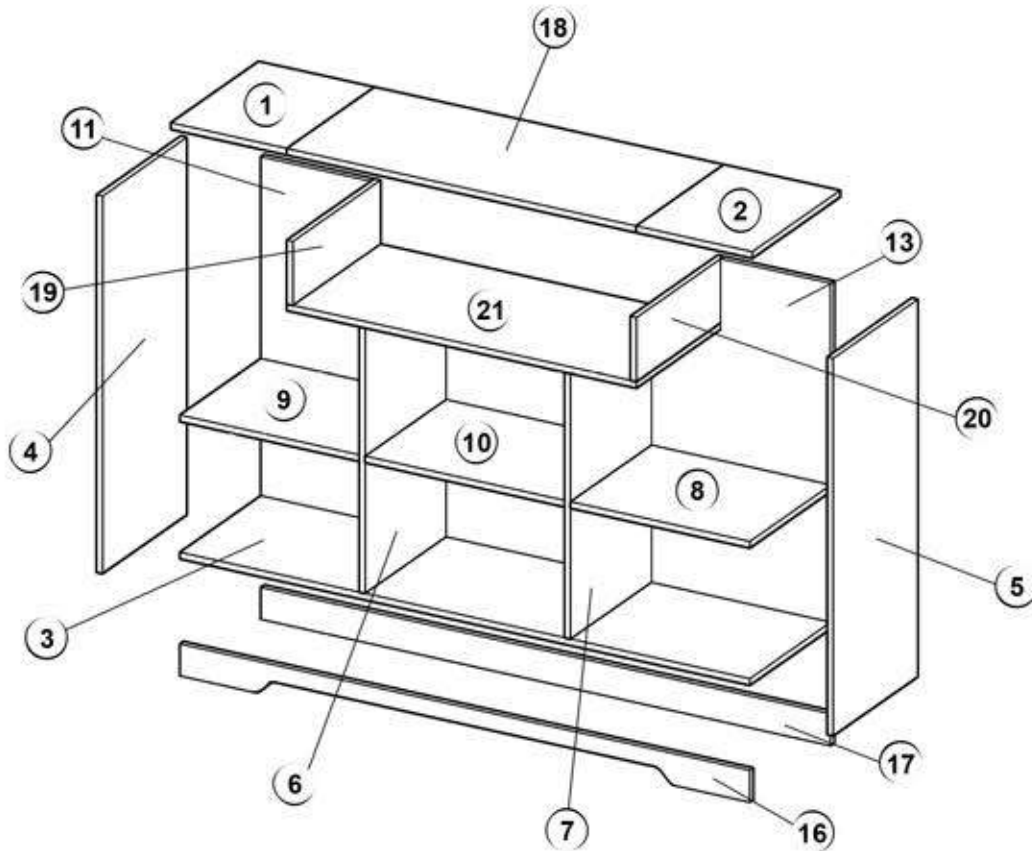
## • PARTS LIST

PART LIST		QTY
1	LH TOP	1 PC
2	RH TOP	1 PC
3	BOTTOM PANEL	1 PC
4	SIDE LH	1 PC
5	SIDE RH	1 PC
6	LH CV	1 PC
7	RH CV	1 PC
8	RH ADJ. SHELF	1 PC
9	LH ADJ. SHELF	1 PC
10	CENTER ADJ. SHELF	1 PC
11	LH BACK PANEL	1 PC

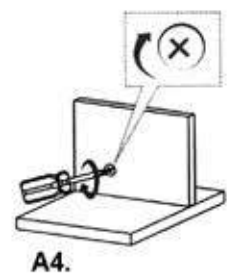
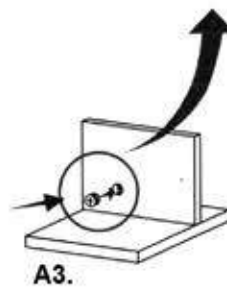
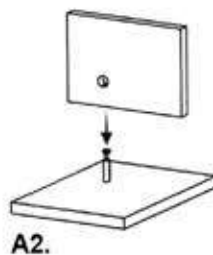
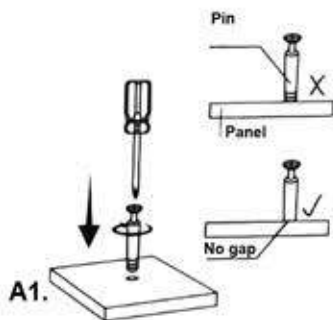
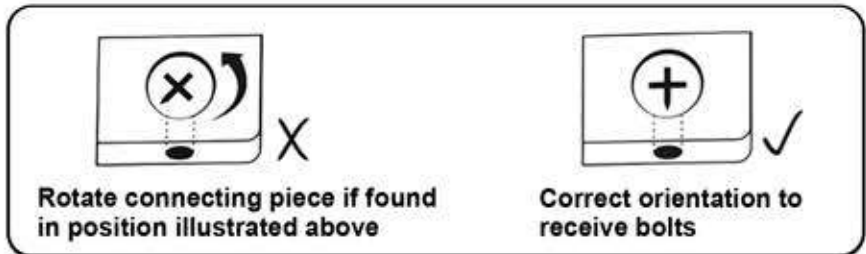
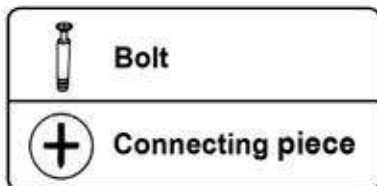
12	CENTRE BACK PANEL	1 PC
13	RH BACK PANEL	1 PC
14	LH SHUTTER	1 PC
15	RH SHUTTER	1 PC
16	FRONT SKIRTING	1 PC
17	BACK SKIRTING	1 PC
18	BOX TOP	1 PC
19	BOX SIDE LH	1 PC
20	BOX SIDE RH	1 PC
21	BOX BOTTOM	1 PC
22	TINTED GLASS	1 PC

## • SCREW LIST

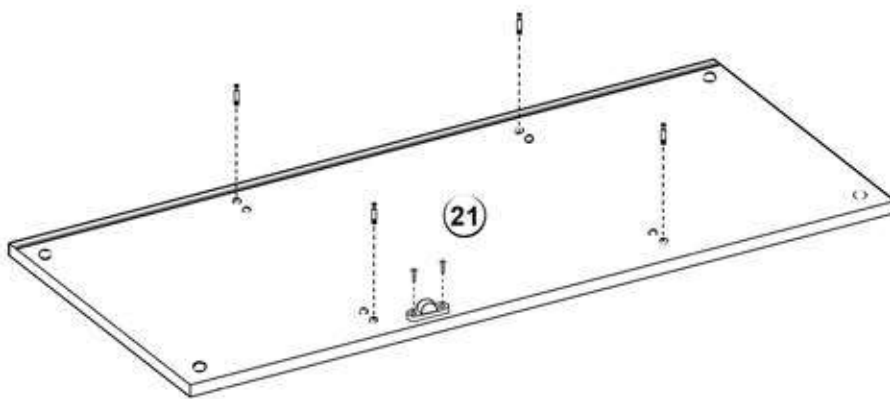
HARDWARE			
A	MINI FIX	 A1  A2	28 SETS
B	M8 X 40MM WOOD DOWEL		38 PCS
C	GLASS DOOR FITTING		1 SET
D	0" CRANK HINGES		2 SETS
E	M8 x 16MM SCREW		28 PCS
F	SHELF PIN		12 PCS
G	SINGLE MAGNET		1 PC



## 6x40 MM BOLTS INSTALLATION AS BELOW



1



• SCREWS

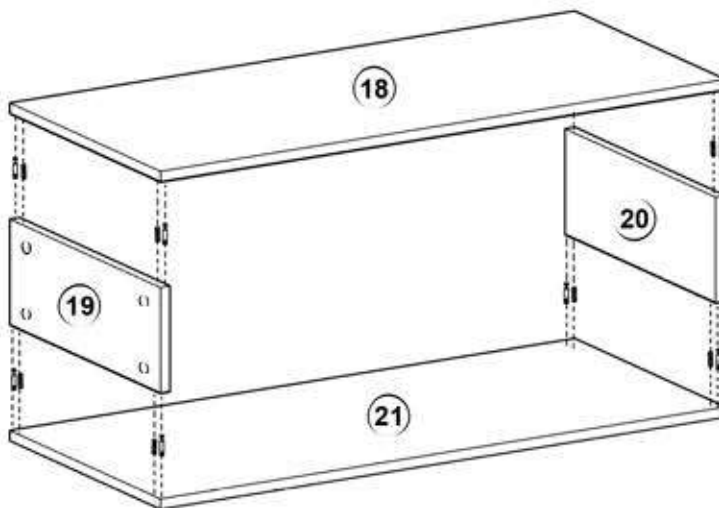
**A2** Ø 15 MM

x 4

**E** 8 x 16 MM

x 2

2



• SCREWS

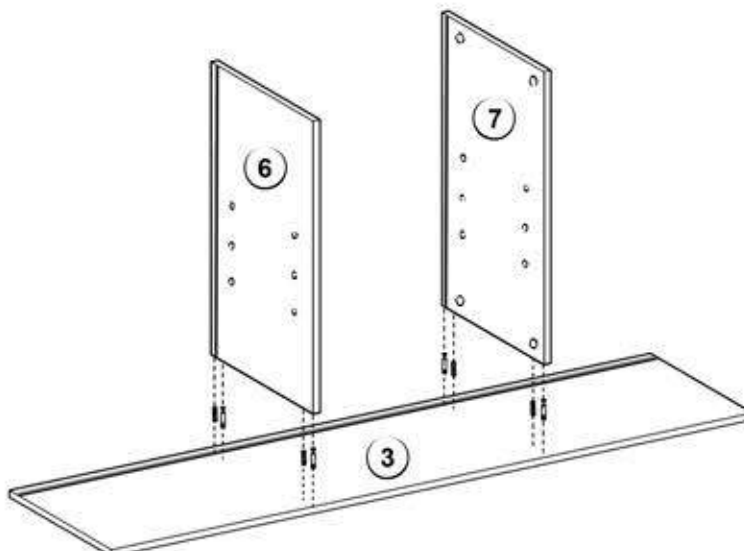
**A2** Ø 15 MM

x 8

**B** 8 x 40 MM

x 8

3



• SCREWS

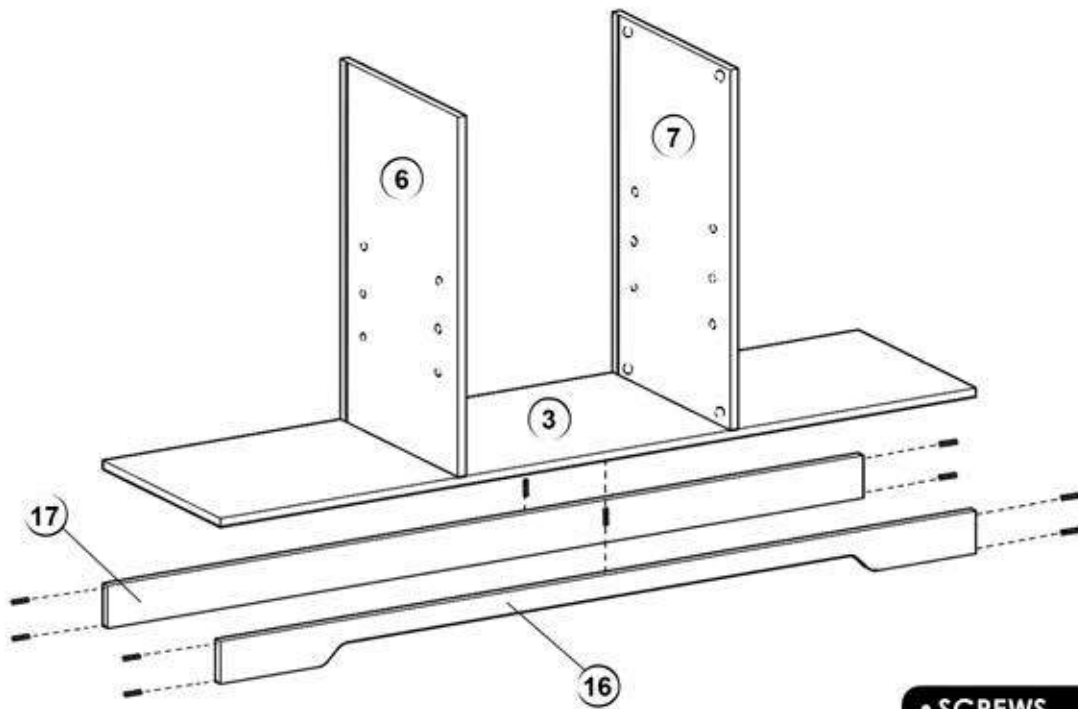
**A2** Ø 15 MM

x 4

**B** 8 x 40 MM

x 4

4

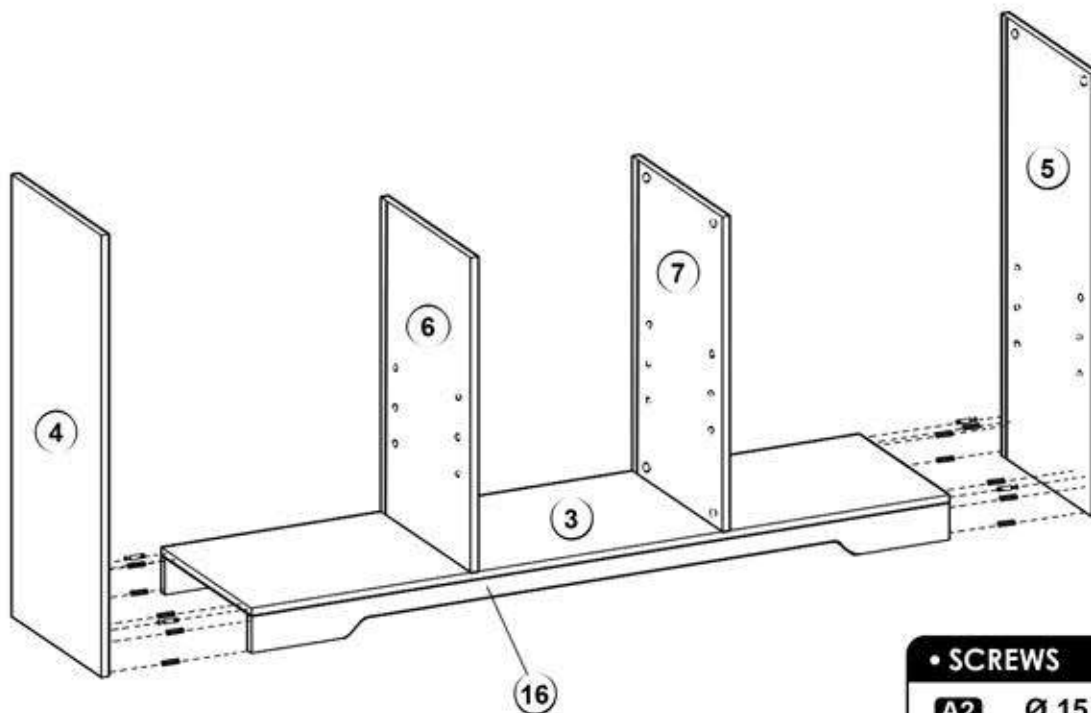


• SCREWS

**B** 8 x 40 MM

x 10

5



• SCREWS

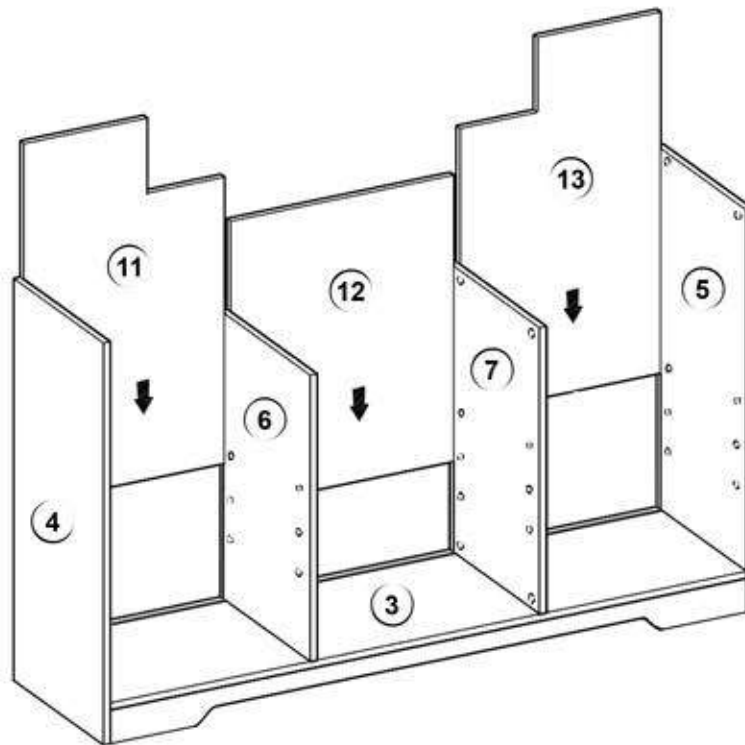
**A2** Ø 15 MM

x 4

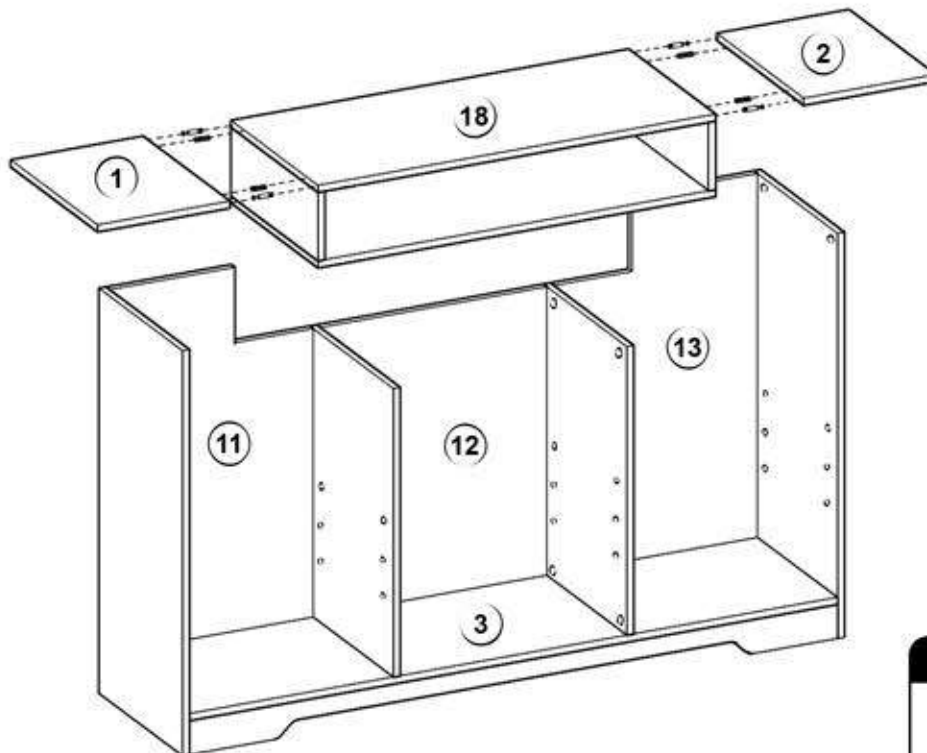
**B** 8 x 40 MM

x 12

6



7



• SCREWS

**A2** Ø 15 MM

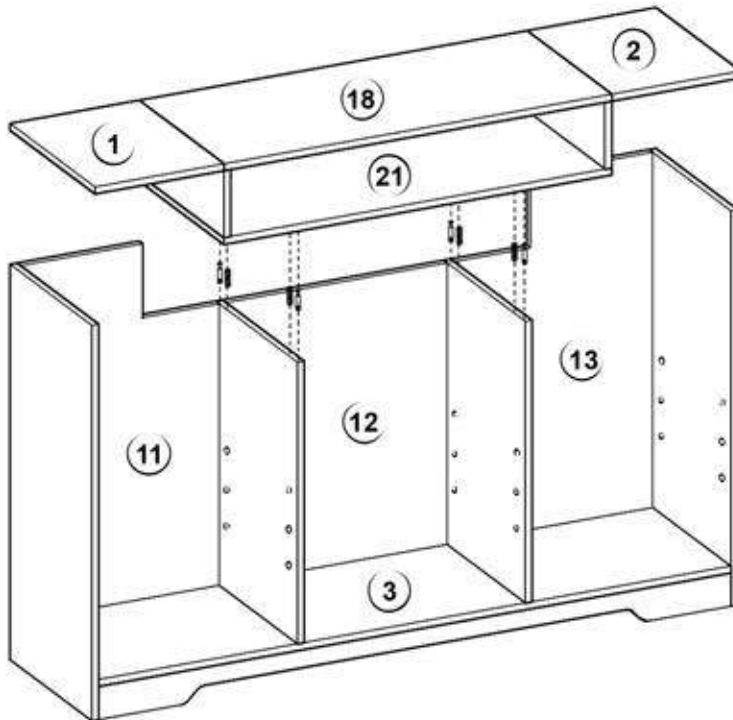
x 4



**B** 8 x 40 MM

x 4

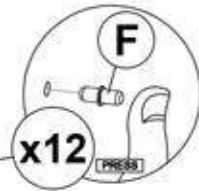
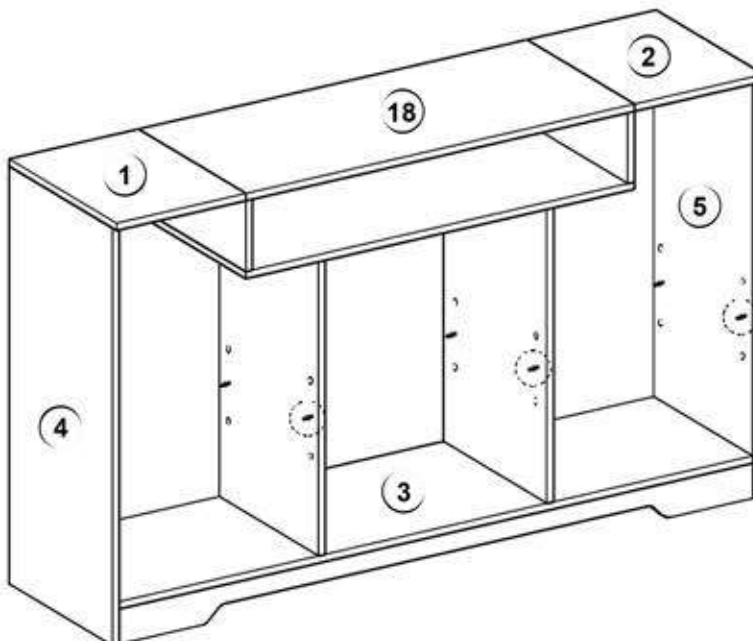


8

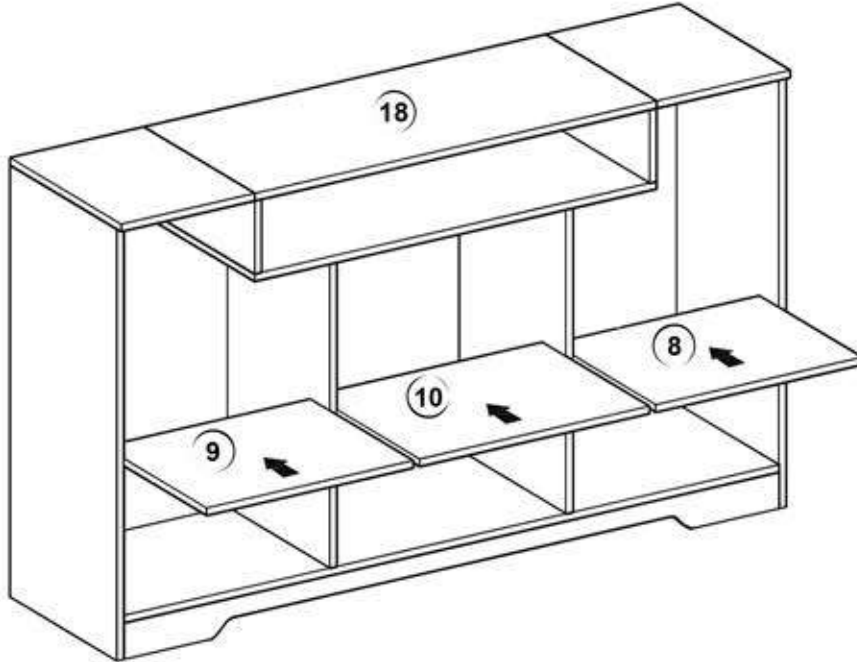


• SCREWS		
<b>A2</b>	Ø 15 MM	
	x 4	
<b>B</b>	8 x 40 MM	
	x 4	

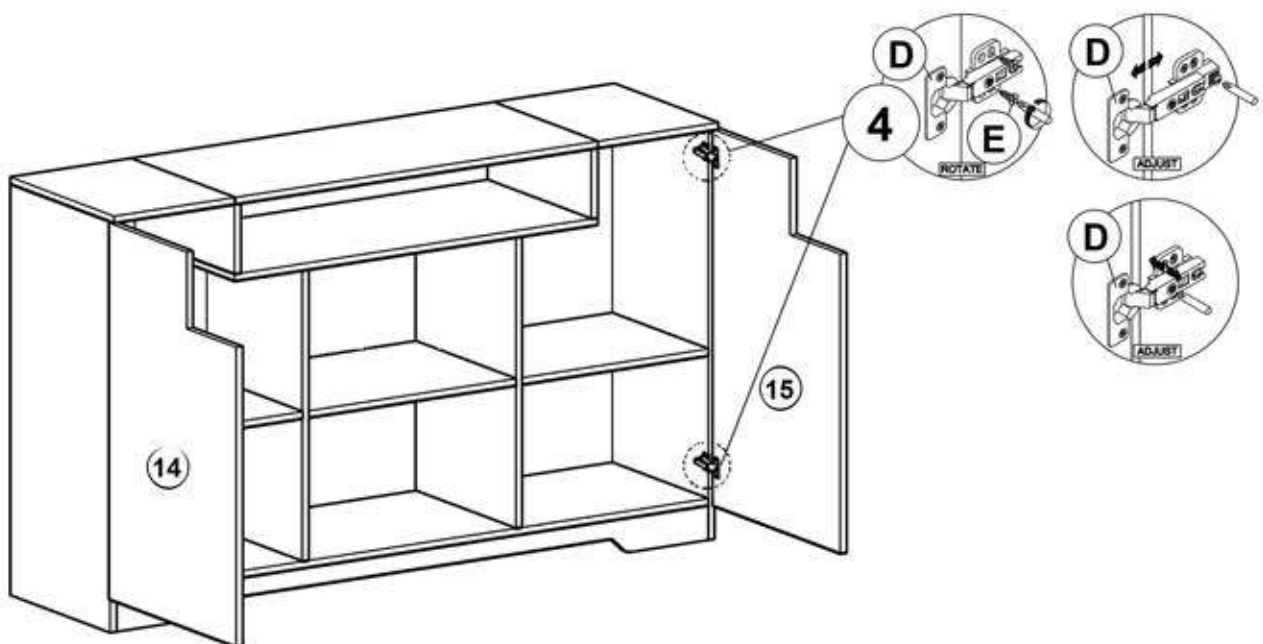
9



10

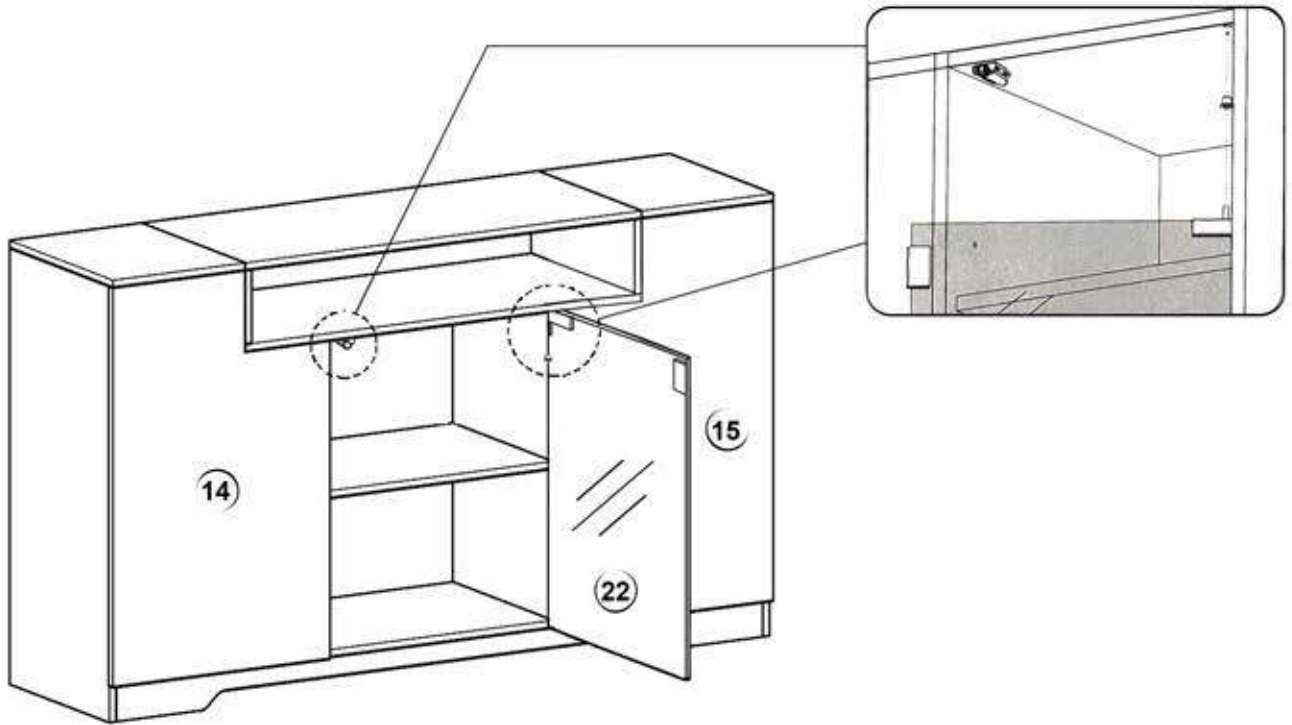


11

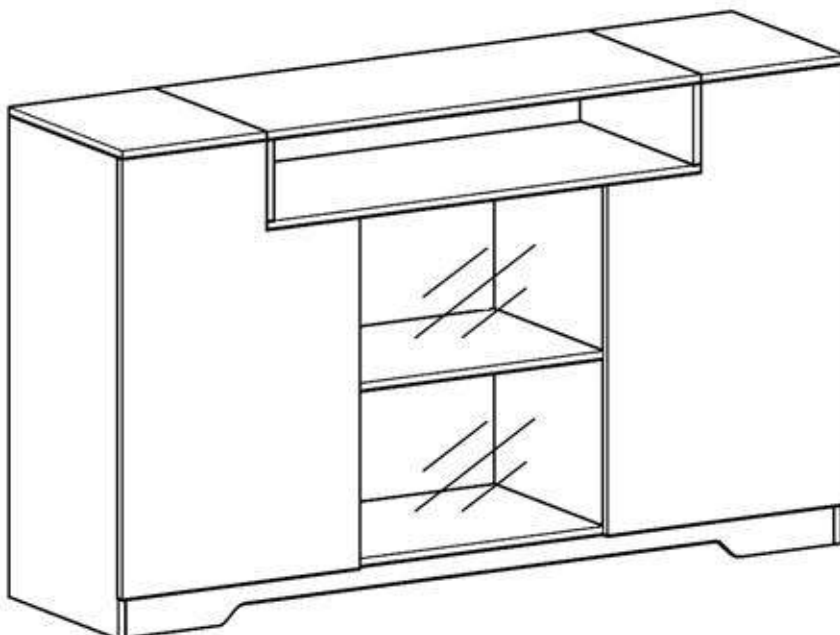




12



**CONGRATULATIONS!!!**



**GUDSMITH**