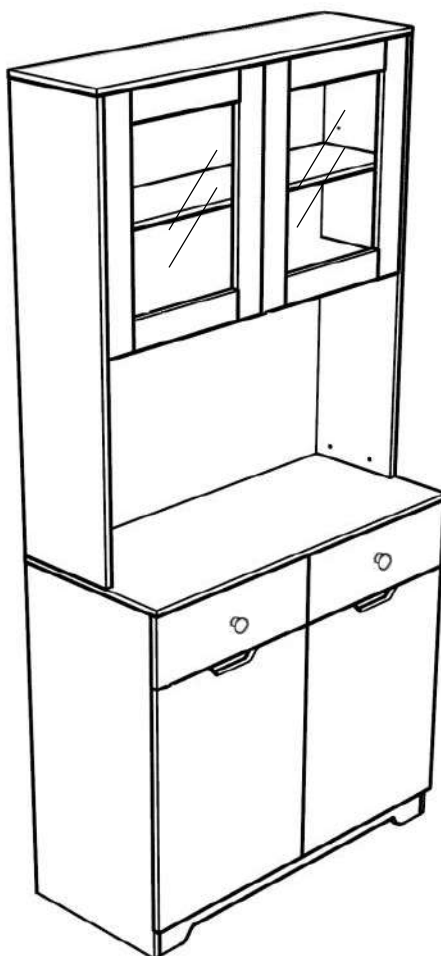


CTC2

ASSEMBLY INSTRUCTION

Thanks for purchasing one of our products, please read carefully the assembly instructions before installation (Attention: Do not tighten the screws before all screws are in place).



TWO PEOPLE REQUIRED

General Care:

- Keep your furniture out on direct sunlight-Use desk pads and coasters to protect the surface from dents, scatches and moisture from hot and cold liquids.

Cleaning:


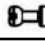











- For cleaning, wipe the surface with a damp (not with) cloth or wipe dry with a clean lint free cotton cloth.
- Window cleaning liquid or a similar cleaning liquid can be used to clean glass surfaces

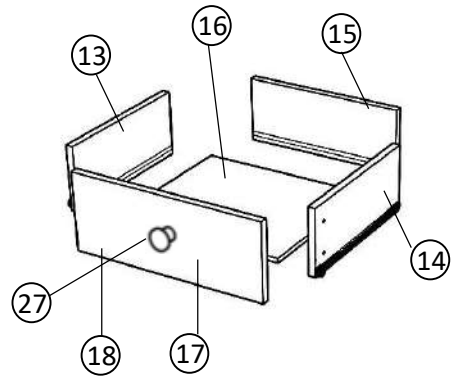
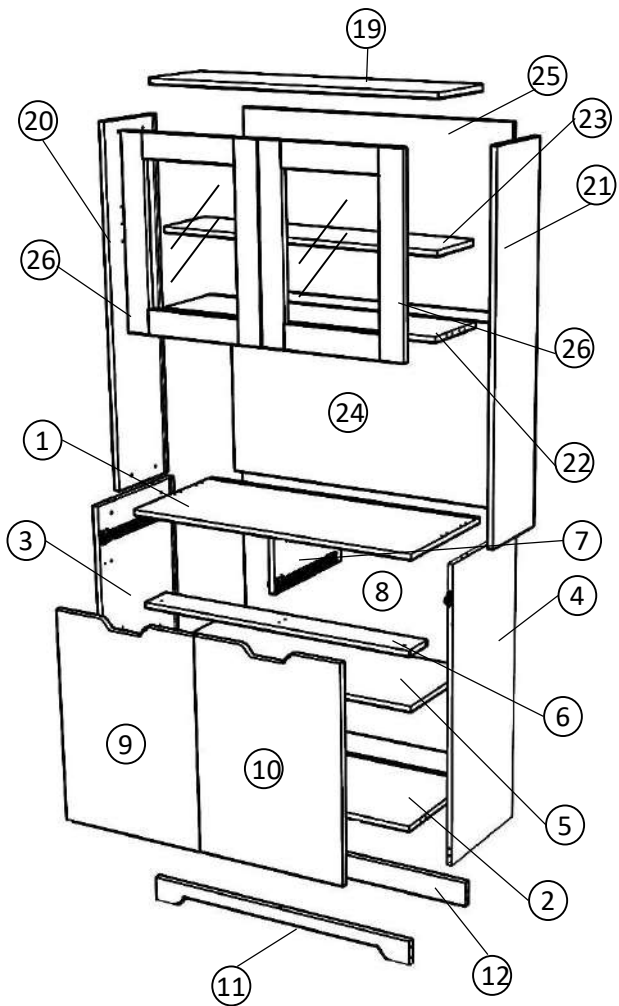
• PARTS LIST

1	TOP	1
2	BOTTOM	1
3	SIDE LH	1
4	SIDE RH	1
5	ADJ SHELF	1
6	FIXED PANEL	1
7	CV	1
8	BACK PANEL	1
9	LH BTM SHUTTER	1
10	RH BTM SHUTTER	1
11	FRONT SKT	1
12	BACK SKT	1
13	LH DRAWER SIDES	2

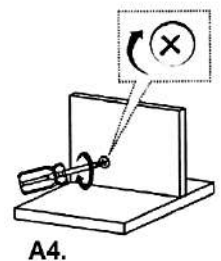
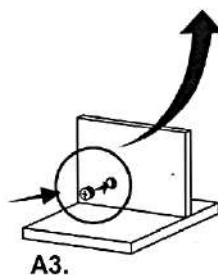
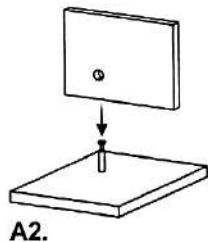
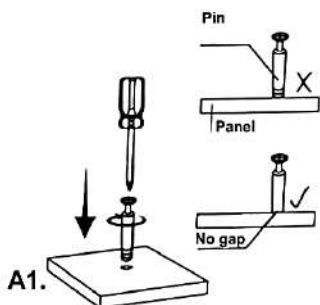
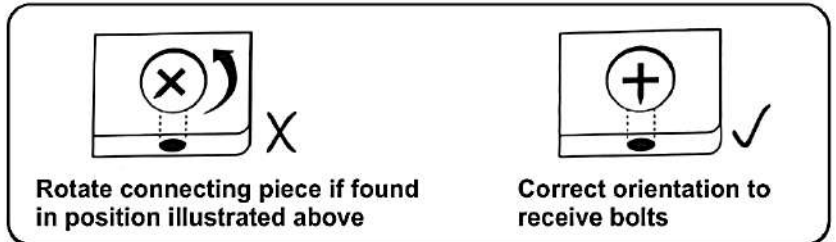
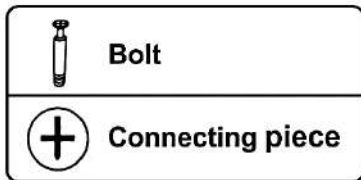
14	RH DRAWER SIDES	2
15	DRAWER BACK	2
16	BOTTOM	2
17	LH FACIA	1
18	RH FACIA	1
19	TOP	1
20	SIDE LH	1
21	SIDE RH	1
22	CENTER FIX SHELF	1
23	TOP ADJ SHELF	1
24	CENTER BACK PANEL	1
25	TOP BACK PANEL	1
26	GLASS SHUTTER	2
27	WOODEN KNOB	2

• SCREW LIST

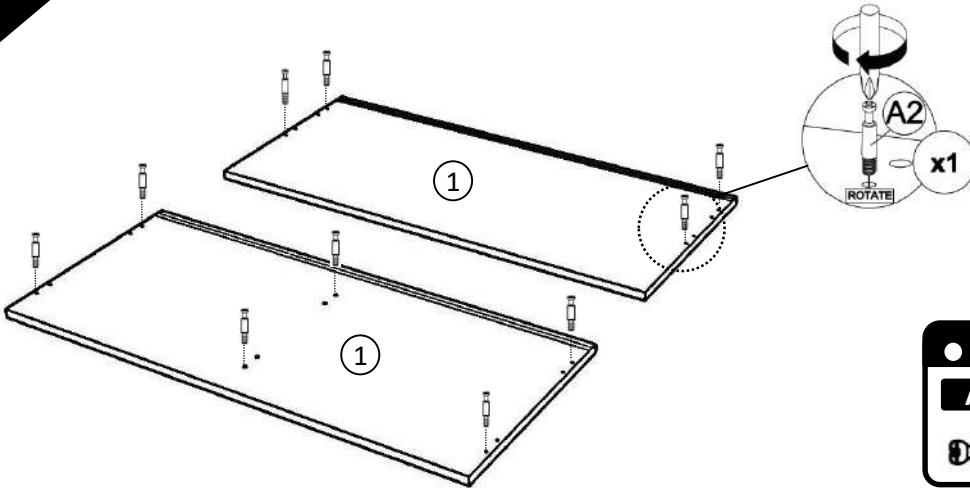
HARDWARE		
A	MINIFIX  A1  A2	33 SETS
B	DOWELS 	35 PCS
C	16* CRANK INSET HINGS 	2 SETS
D	O* CRANK HINGS 	2 SETS
E	350MM DRAWER SLIDE  H1 (L/R) H2 (L/R)	2 SETS
F	M8 X 16 MM SCREW 	50 PCS
G	M5 X 13 MM SCREW 	24 PCS
H	M6 X 32 MM SCREW 	8 PCS
I	M6 X 25 MM HANDLE ALLEN 	2 PCS
J	SHELF PIN 	8 PCS
K	M6 ALLEN KEY 	1 PC
L	DOOR STOPPER 	1 PC




6x40 MM BOLTS INSTALLATION AS BELOW



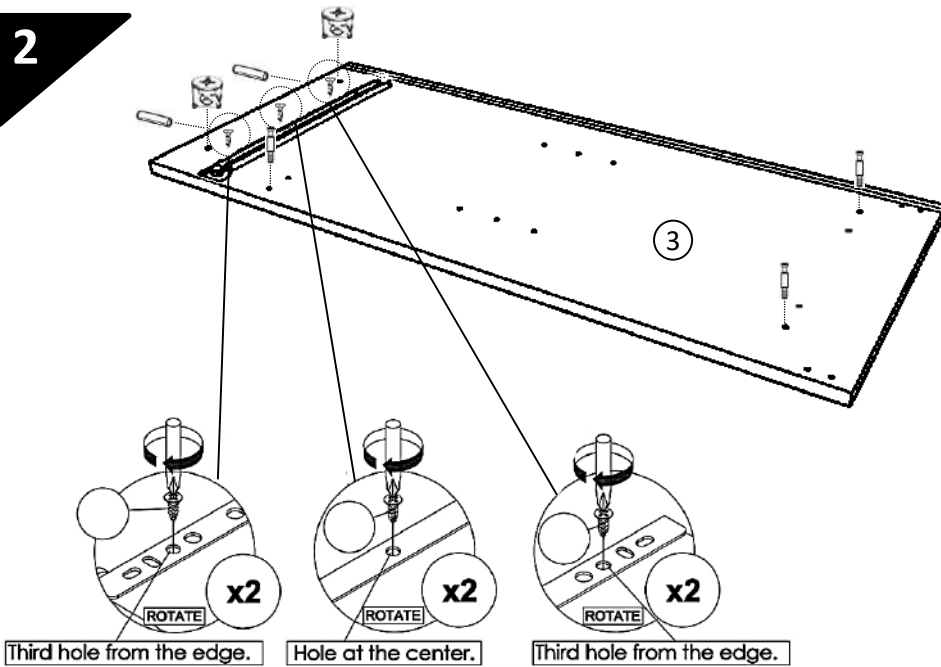
1






● SCREWS

A2	6 X 40 MM	
	X 10	

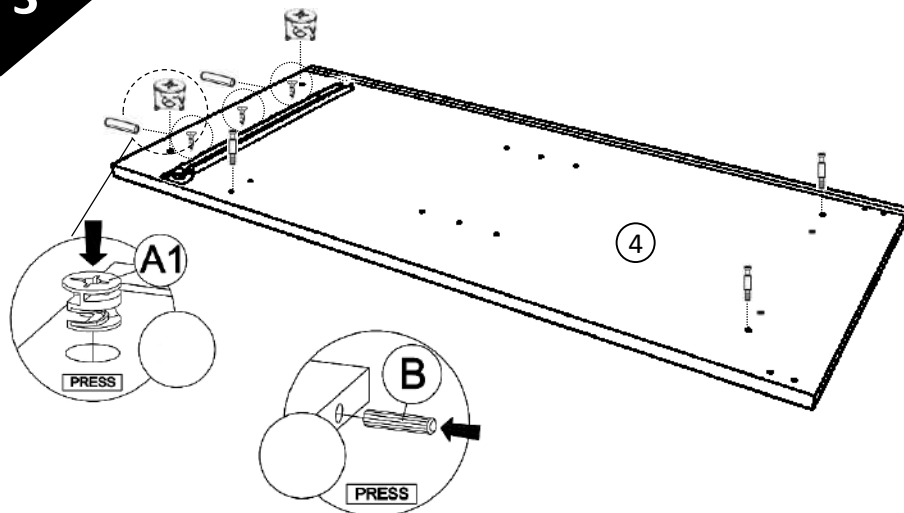
2






● SCREWS

A1	∅ 15 MM	
	X 2	
A2	6 X 40 MM	
	X 3	
G	5 x 13 MM	
	X 3	

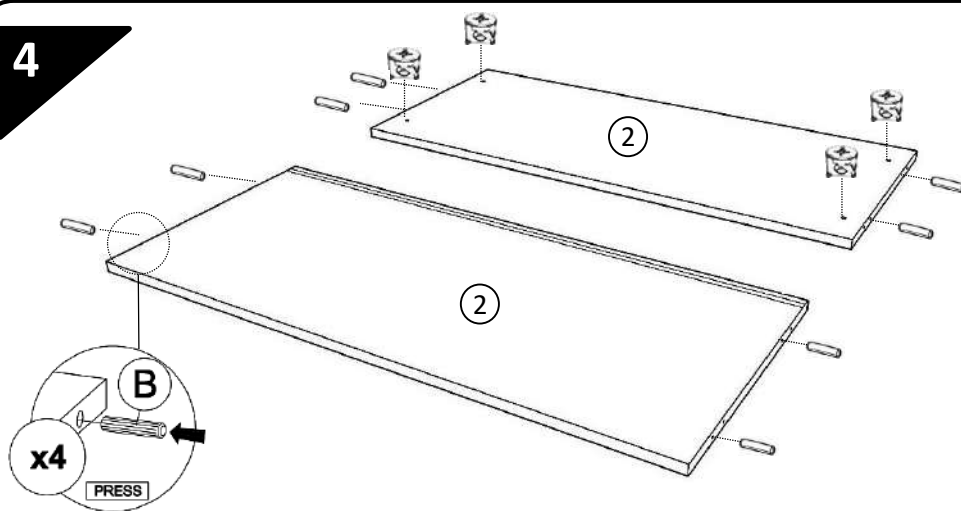
3



● SCREWS

A1	∅ 15 MM	
	X 2	
A2	6 X 40 MM	
	X 3	
G	5 x 13 MM	
	X 3	

4



● SCREWS

A1 ∅ 15 MM



X 4

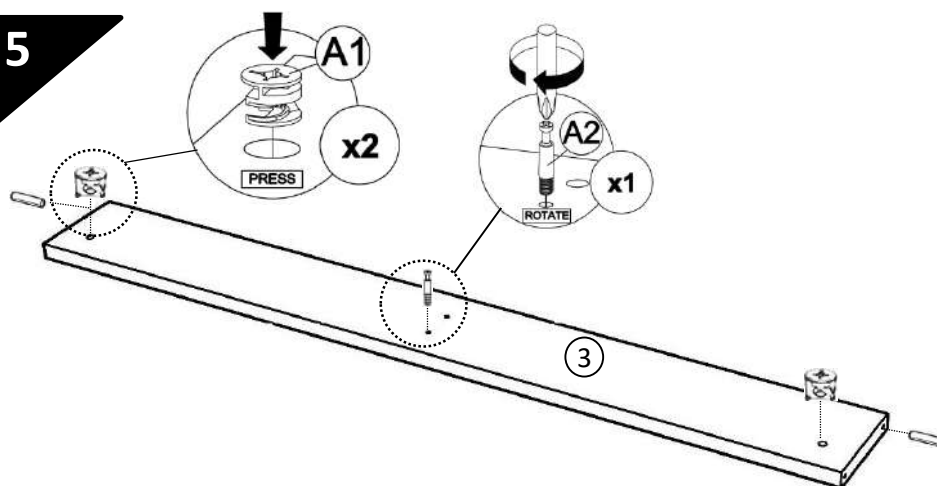
B

8 X 40 MM



X 4

5



● SCREWS

A1 ∅ 15 MM



X 2

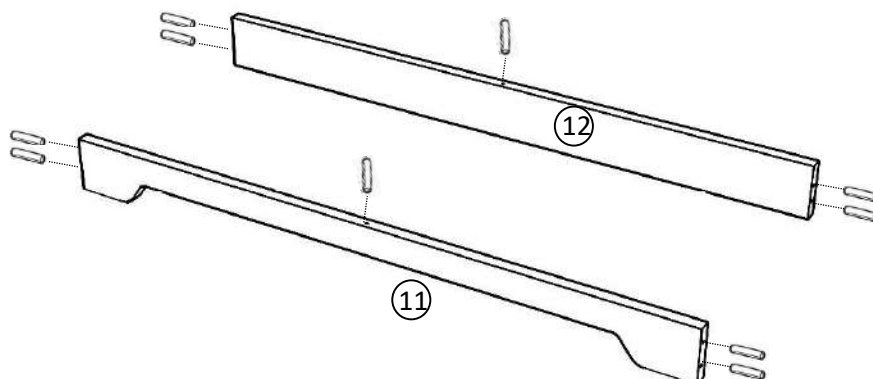
A2

6 X 40 MM



X 1

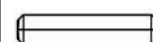
6



● SCREWS

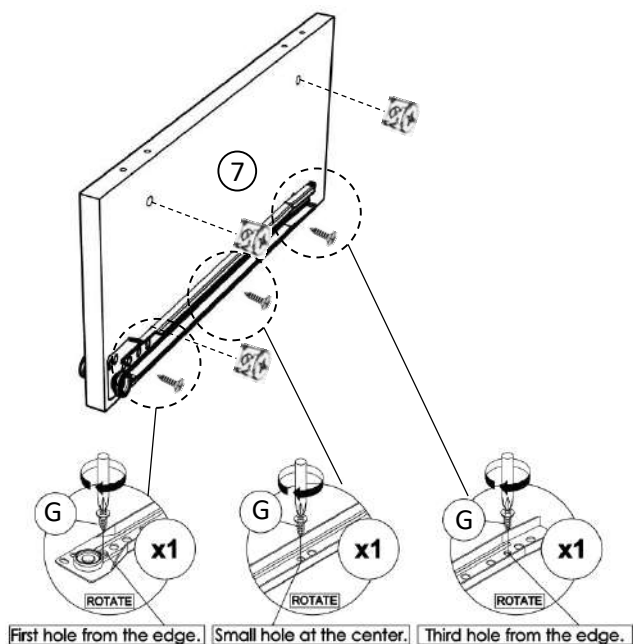
B

8 X 40 MM



X 10

10



● SCREWS

A1 Ø 15 MM



X 3

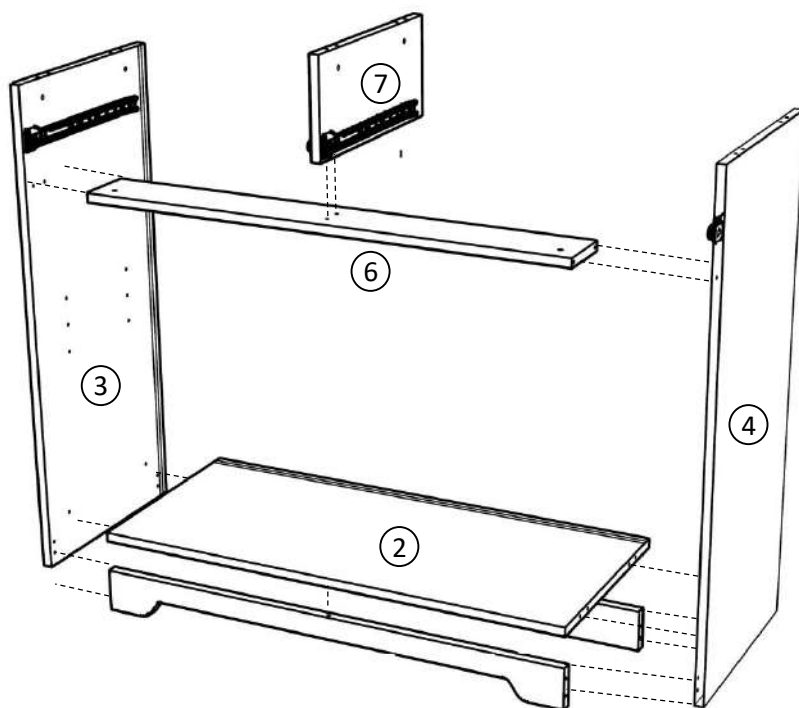
G 5 x 13 MM



X 6



11



● SCREWS

A1 Ø 15 MM



X 7

A2 6 X 40 MM



X 7



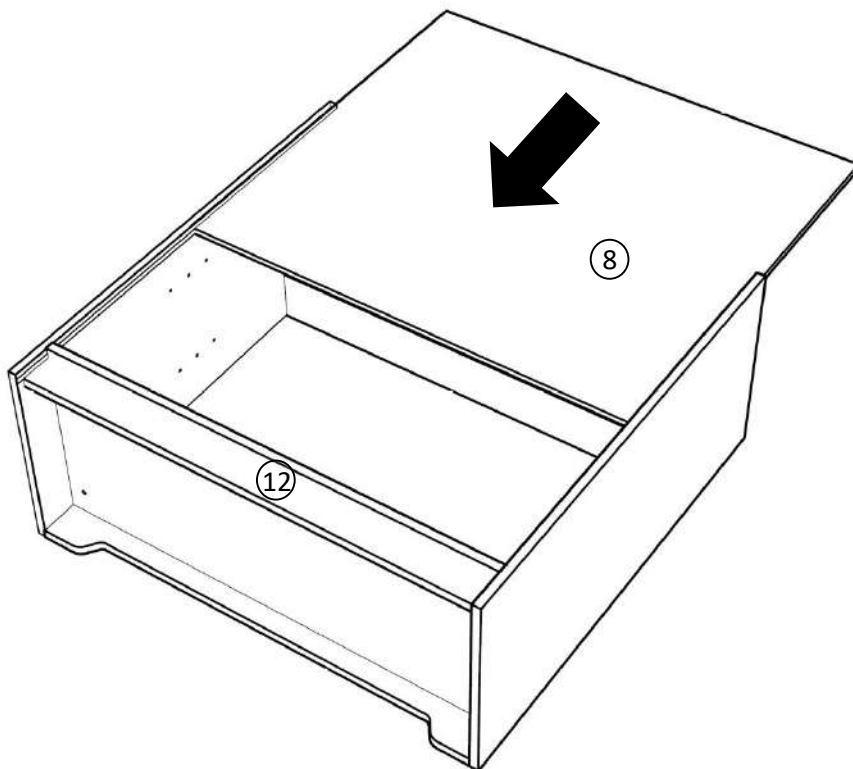
● SCREWS

B 8 X 40 MM

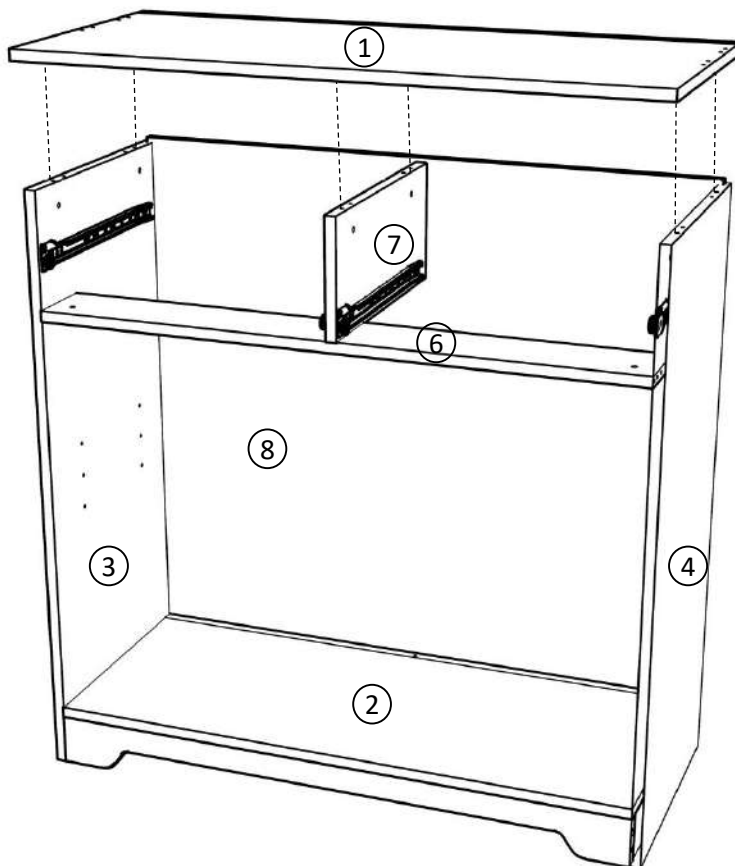


X 17

12



13



● SCREWS

A1 Ø 15 MM



X 6

A2 6 X 40 MM

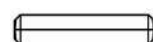


X 6



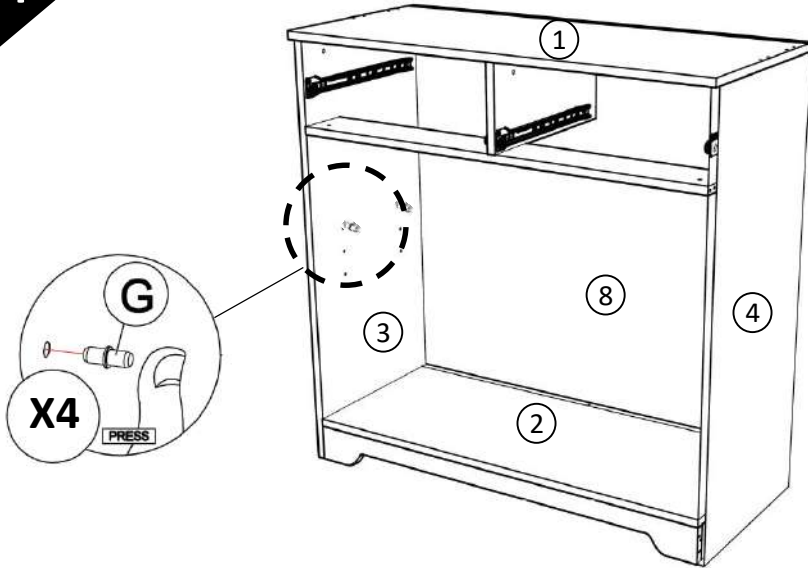
● SCREWS

B 8 X 40 MM



X 6

14



● SCREWS

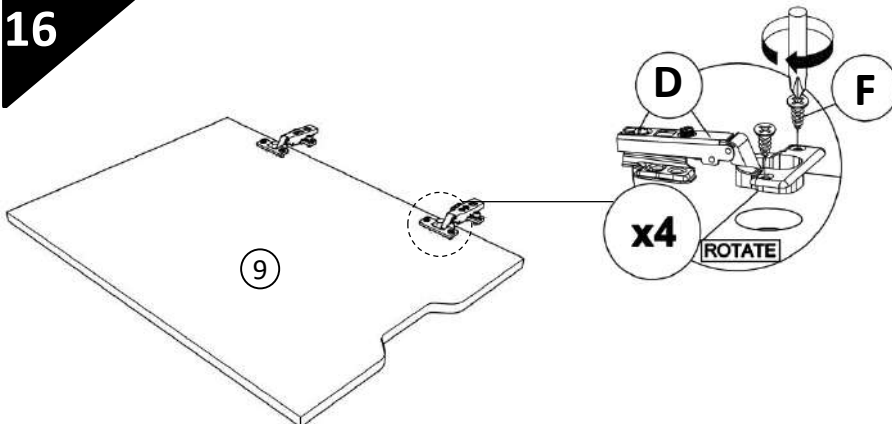
J X 4



15



16



Repeat the step with parts 10

● SCREWS

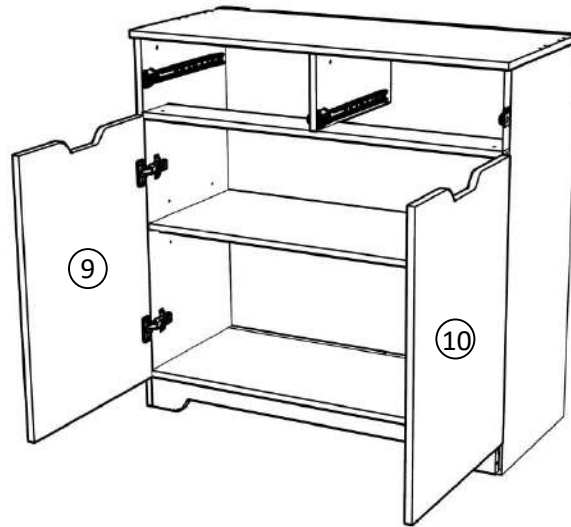
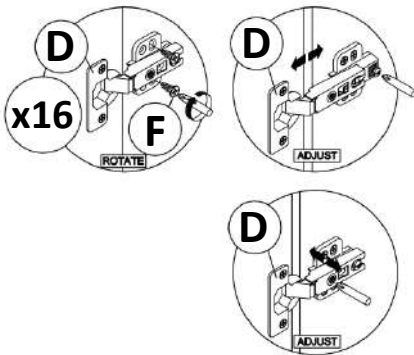
F 8 x 16 MM



X 4



17



• SCREWS

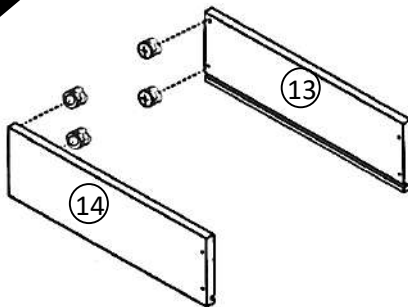
F 8 x 16 MM



X 16



18



• SCREWS

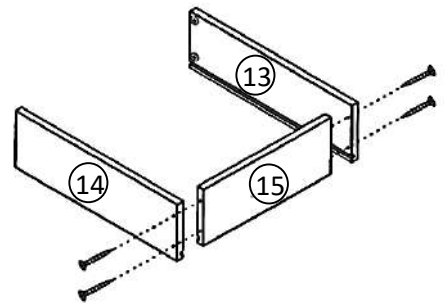
A1 Ø 15 MM



X 4



19



• SCREWS

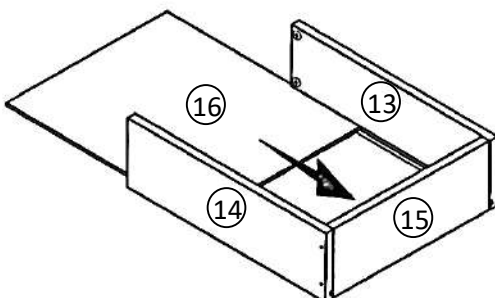
H 6 x 32 MM



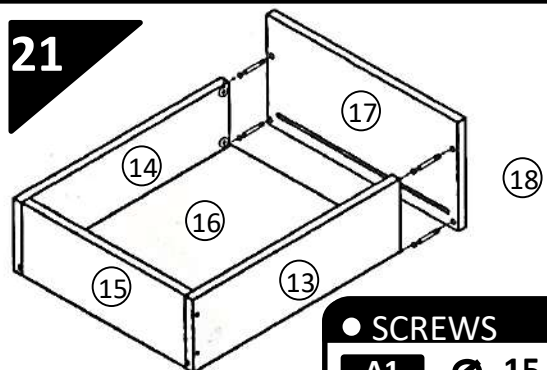
X 4



20



21



• SCREWS

A1 Ø 15 MM



X 4

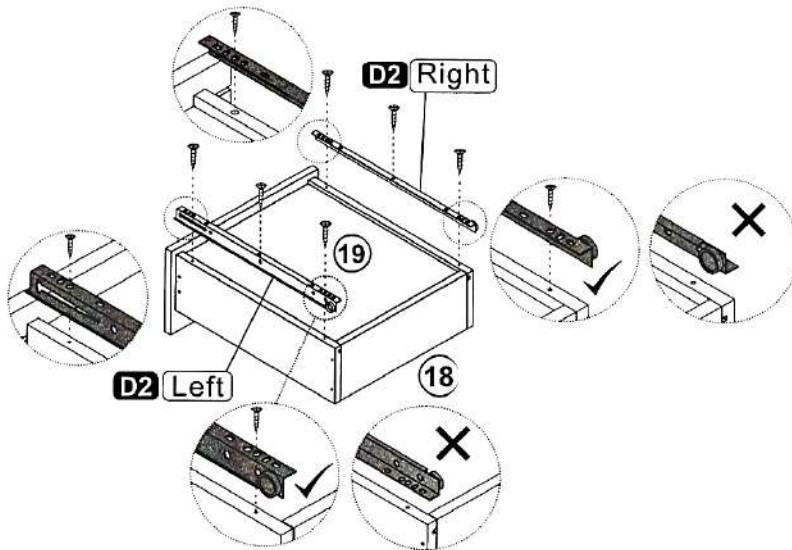
A2 6 X 40 MM



X 4



22



● SCREWS

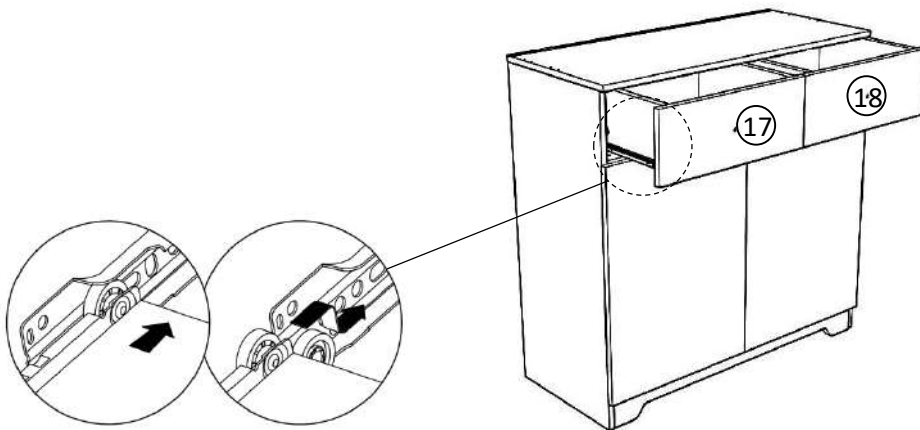
G 5 x 13 MM



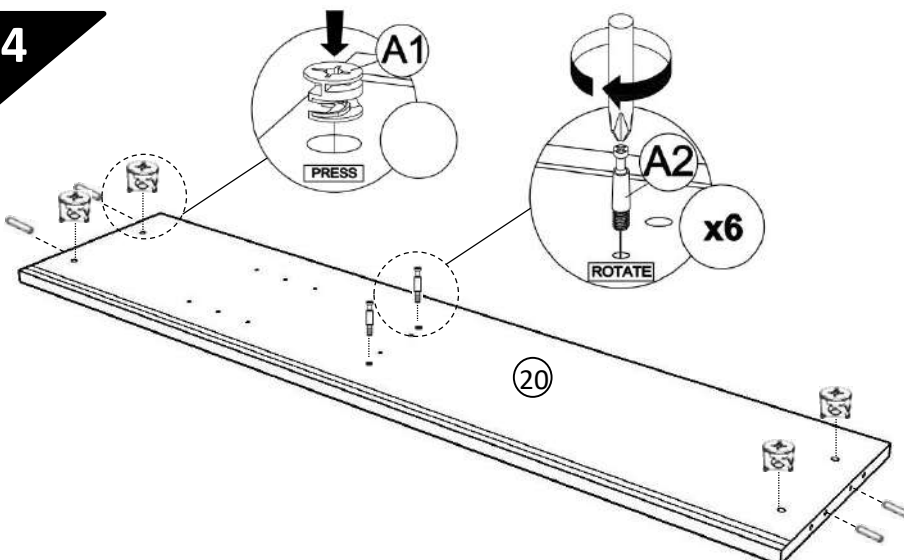
X 6



23



24



● SCREWS

A1 Ø 15 MM



X 4



A2 6 X 40 MM



X 2



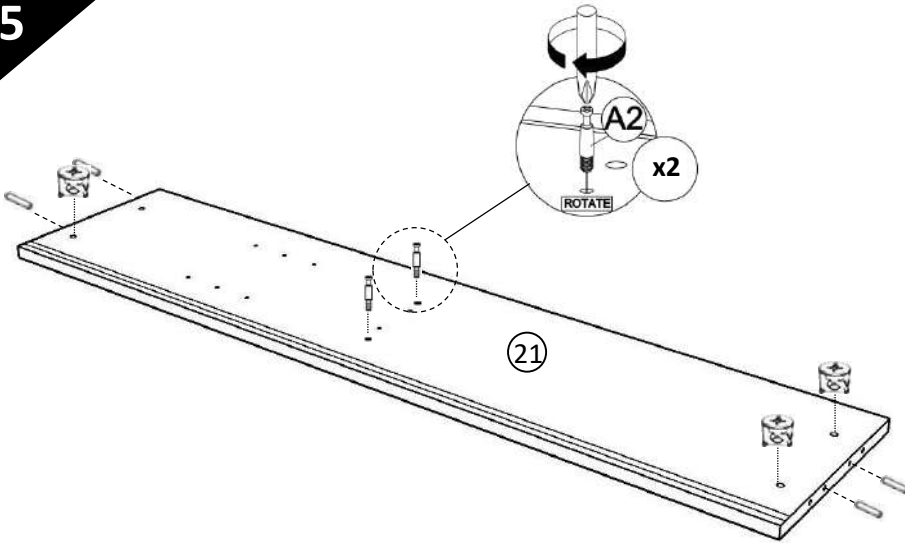
● SCREWS

B 8 X 40 MM



X 4

25



● SCREWS

A1 Ø 15 MM



X 4



A2 6 X 40 MM



X 2



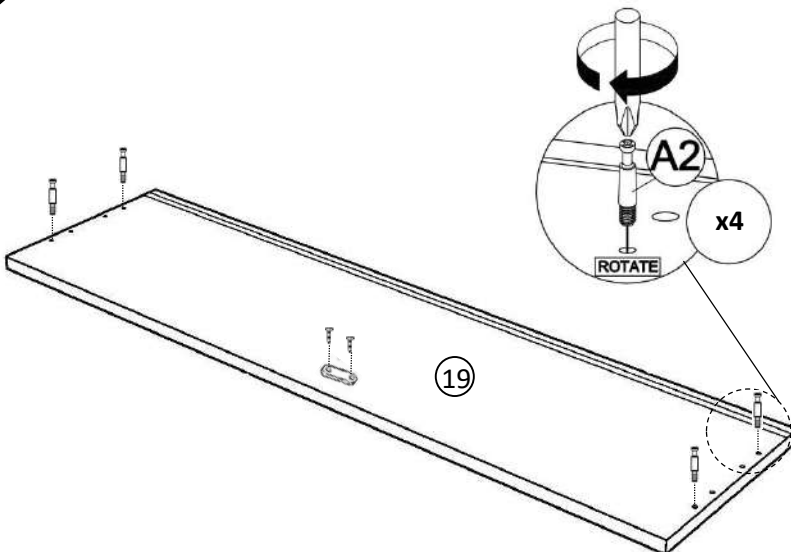
● SCREWS

B 8 X 40 MM



X 4

26



● SCREWS

A2 6 X 40 MM



X 4



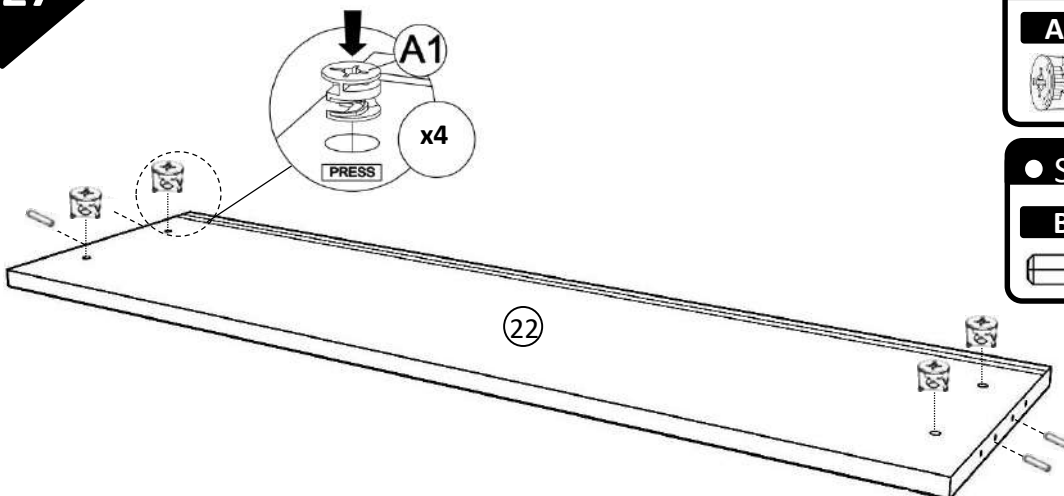
F 8 x 16 MM



X 2



27



● SCREWS

A1 Ø 15 MM



X 4



● SCREWS

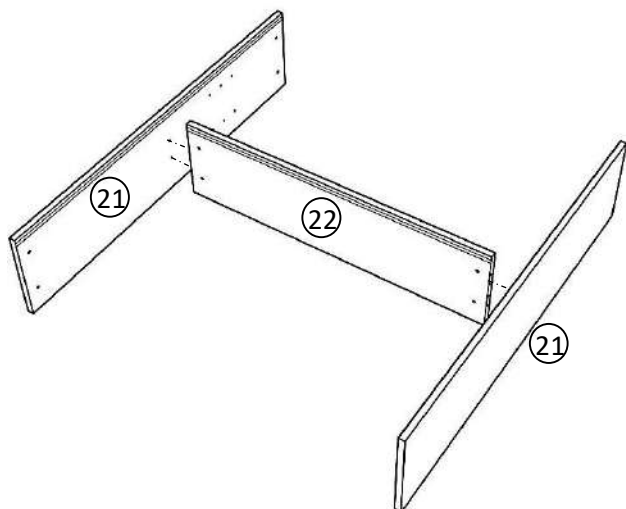
B 8 X 40 MM



X 4



28



● SCREWS

A1 Ø 15 MM



X 4



A2 6 X 40 MM



X 4



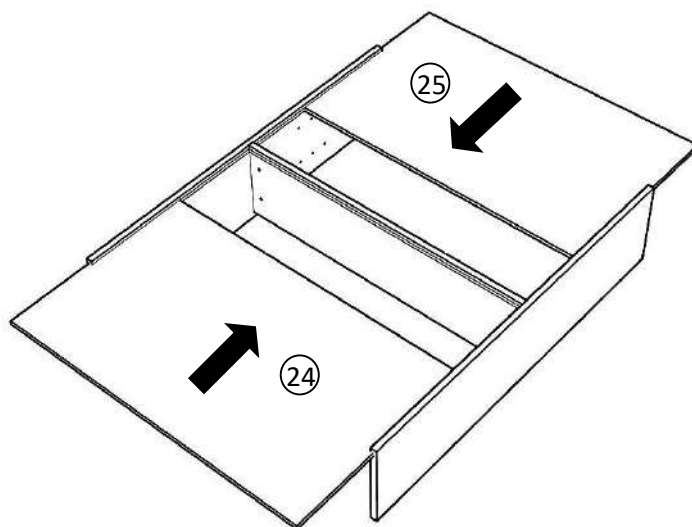
● SCREWS

B 8 X 40 MM

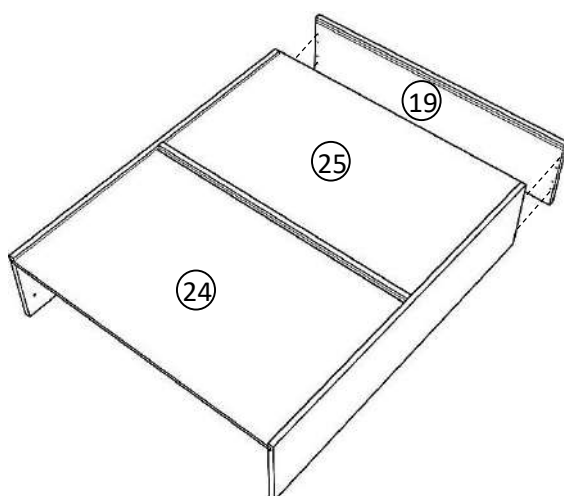


X 4

29



30



● SCREWS

A1 Ø 15 MM



X 4



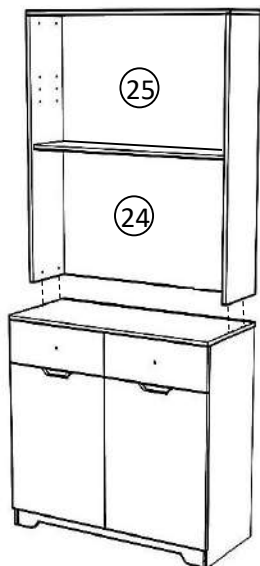
● SCREWS

B 8 X 40 MM



X 4

31



● SCREWS

A1 Ø 15 MM



X 4

A2 6 X 40 MM



X 4

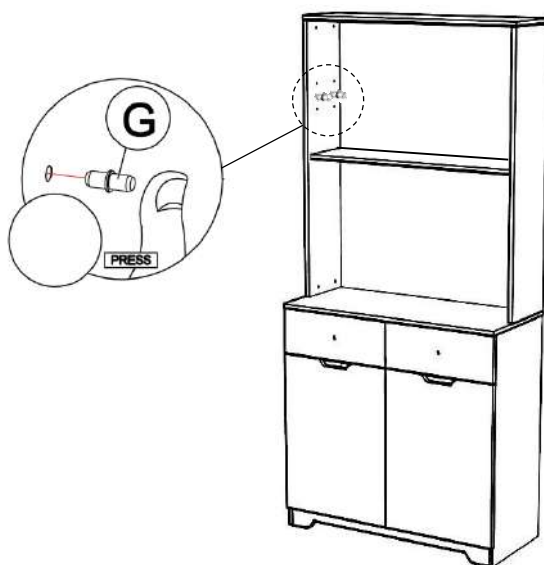
● SCREWS

B 8 X 40 MM



X 4

32

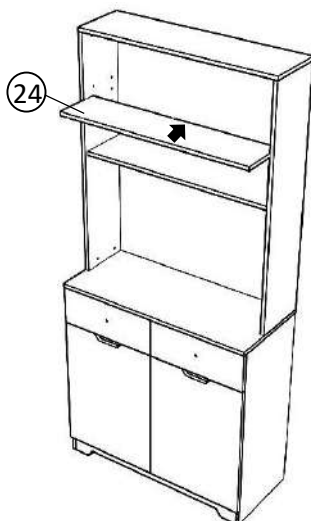


● SCREWS

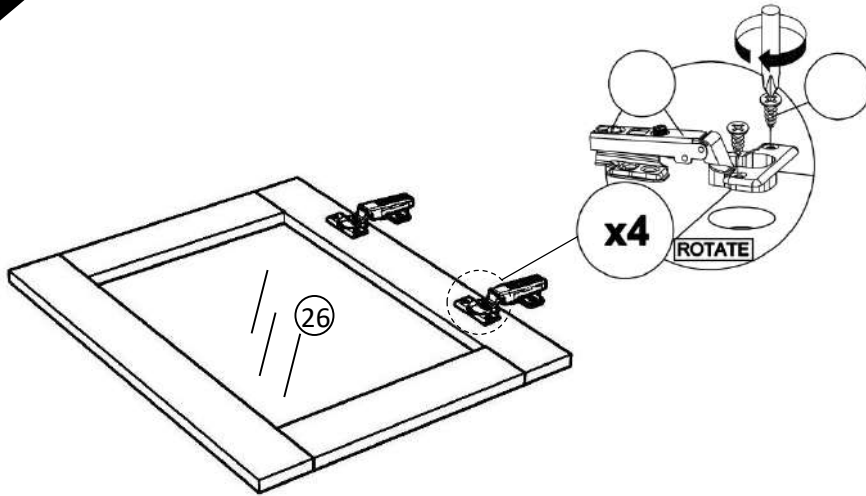
J X 4



33



34



● SCREWS

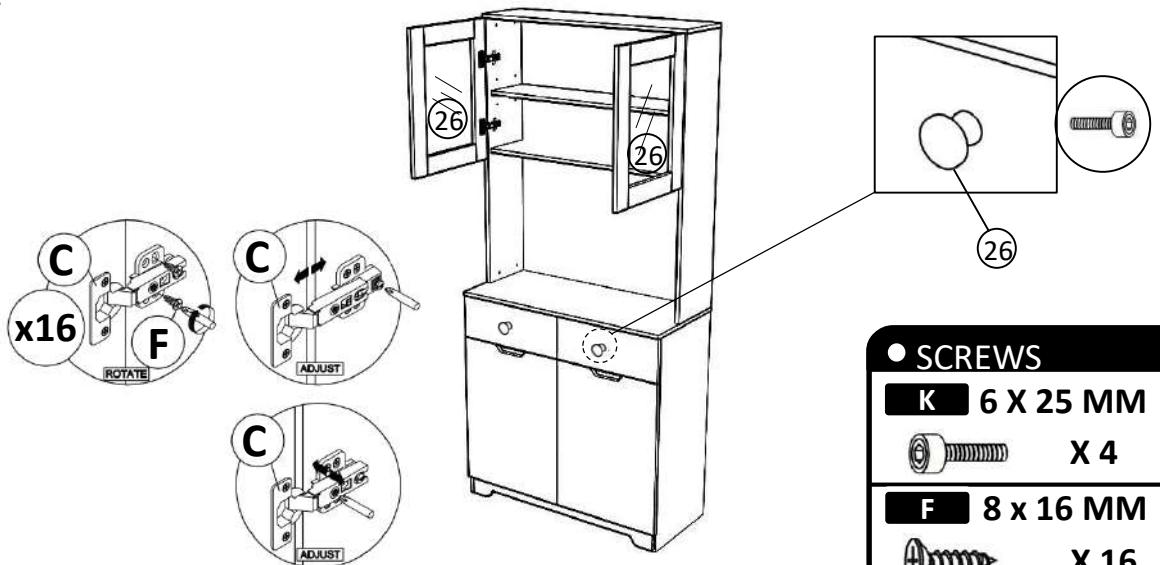
F 8 x 16 MM



X 4



35



● SCREWS

K 6 X 25 MM



X 4



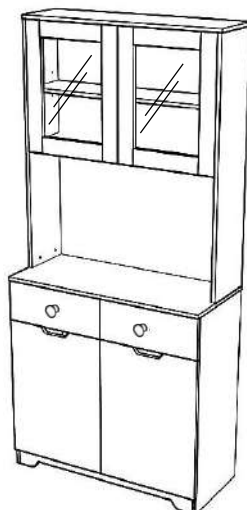
F 8 x 16 MM














X 16






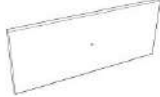











CONGRATULATIONS!!!



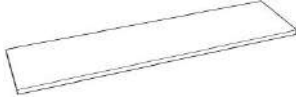
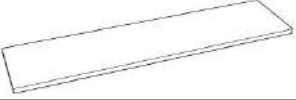


MATERIAL CHECK LIST

PART 8	BACK PANEL		1	
PART 25	TOP BACK PANEL		1	
PART 24	CENTER BACK PANEL		1	
PART 22	CENTER FIXED SHELF		1	
PART 4	SIDE RH		1	
PART 3	SDIE LH		1	
PART 26	GLASS SHUTTER		1	
PART 26	GLASS SHUTTER		1	
PART 11	FRONT SKIRTING		1	
	CHANNEL			
PART 13	LH DRAWER SIDE		1	
PART 14	RH DRAWER SIDE		1	

MATERIAL CHECK LIST

PART 20	SIDE LH		1	
PART 10	RH BTM SHUTTER		1	
PART 9	LH BTM SHUTTER		1	
PART 17	LH FACIA		1	
PART 1	TOP		1	
PART 23	TOP ADJ. SHELF		1	
PART 7	CV		1	
PART 21	TOP SIDE LH		1	
PART 19	TOP		1	
PART 12	BACK SKIRTING			
PART 18	RH FACIA		1	
PART 13	LH DRAWER SIDE		1	
PART 14	RH DRAWER SIDE		1	
PART 2	BOTTOM		1	
PART 16	DRAWER BOTTOM		1	

MATERIAL CHECK LIST

PART 5	BOTTOM ADJ. SHELF		1	
PART 6	FIXED PANEL		1	
PART 15	DRAWER BACK		2	
PART 16	DRAWER BOTTOM		1	

