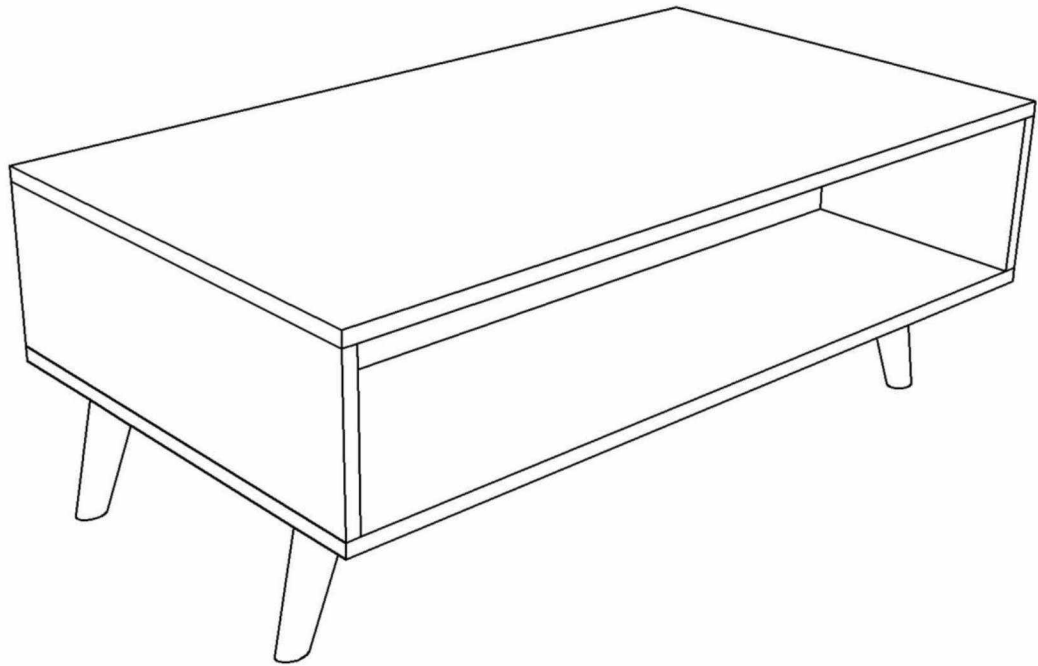


CT2

Coffee Table



Assembly Instructions



TWO PEOPLE REQUIRED

Thank you for purchasing one of our products.

Please read the assembly instructions carefully before installation.

(Attention: Do not tighten the screws before all of them are in place).

General Care:–

- Keep your furniture out on direct sunlight.
- Use desk press and coasters to protect the surface from dents, scratches and moisture from hot and cold liquids.
- Secure this furniture to the wall using tip over restraints.

Cleaning:–

- For cleaning, wipe surface with a damp (not with) cloth or dry wipe with a lint free cotton cloth.



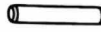

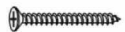

***Warning**

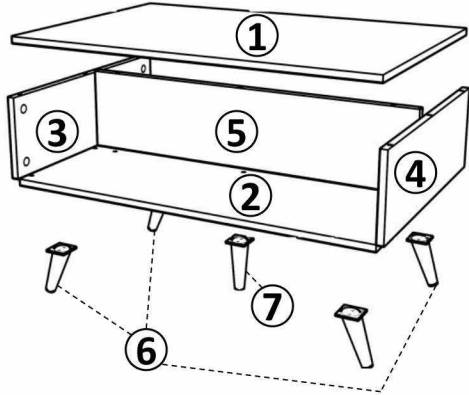
Any damage incurred while assembling the product isn't covered under warranty

● PARTS LIST

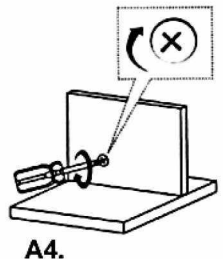
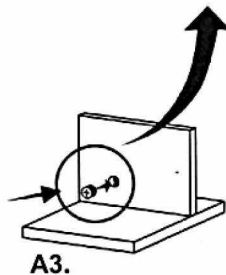
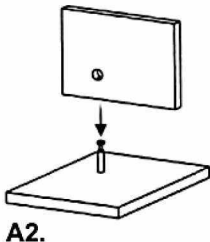
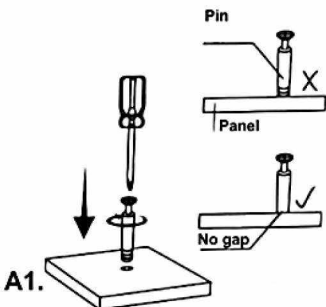
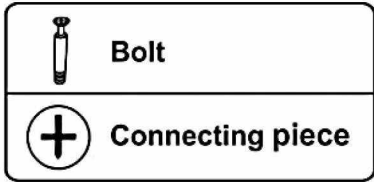
1	TOP PANEL	1
2	BOTTOM PANEL	1
3	SIDE LH	1
4	SIDE RH	1
5	CV	1
6	ANGLE WOODEN LEGS	4
7	STRIGHT WOODEN LEGS	1

● SCREW LIST

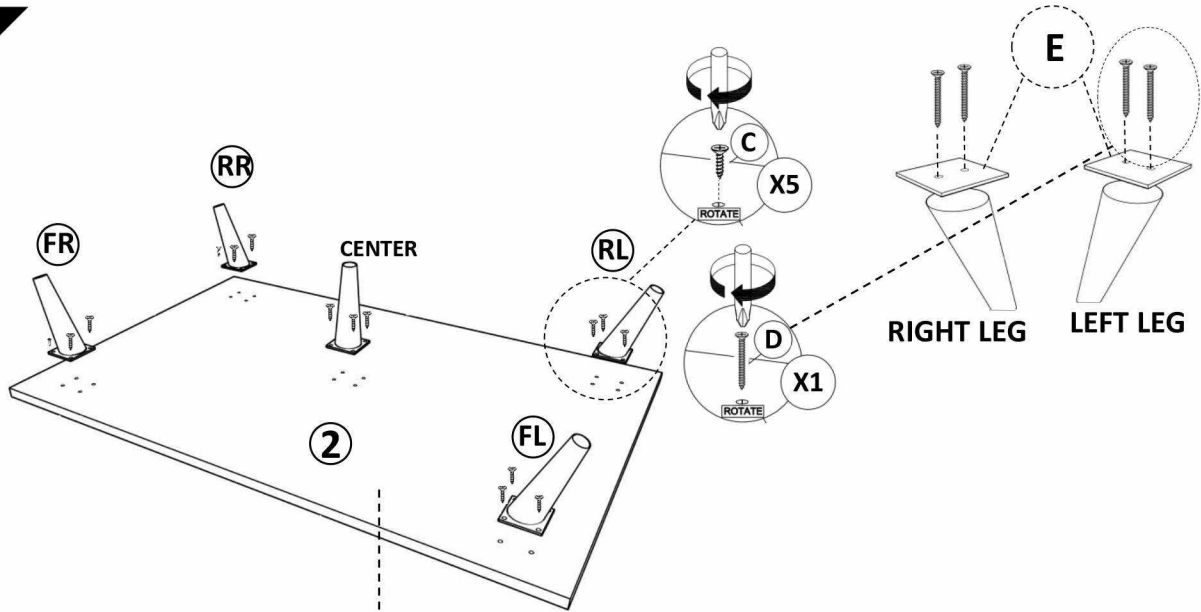
HARDWARE			
A	MINIFIX A1 	A2 	12 PC
B	DOWEL 		6 PC
C	SCREWS 8X16 		20 PC
D	SCREWS 6X32 		10 PC
E	METAL PLATE 		5 PC



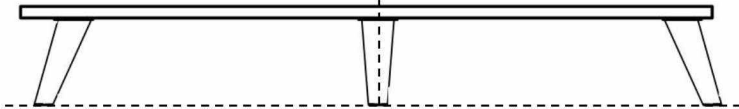
6x40 MM BOLTS INSTALLATION AS BELOW






1



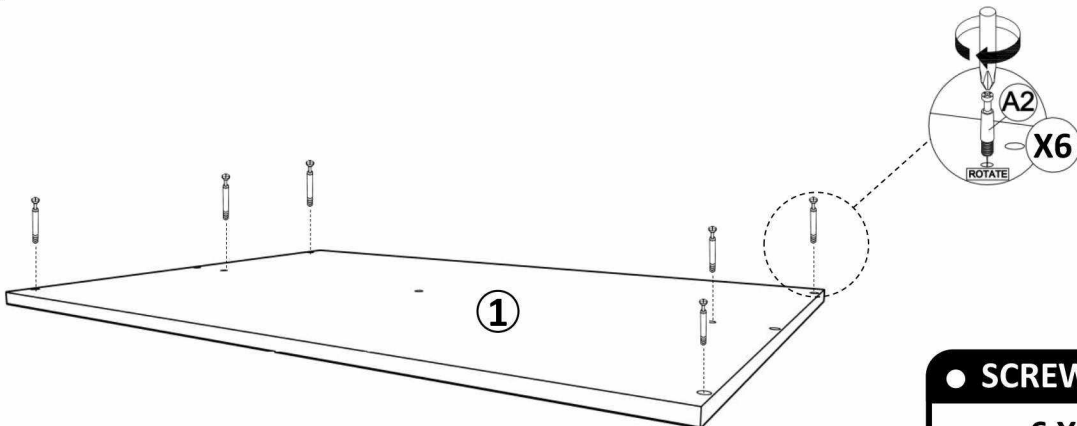
RIGHT LEG LEFT LEG



← CHECK & ALIGN FLOOR LEVEL →
FRONT & REAR LEFT FRONT & REAR RIGHT

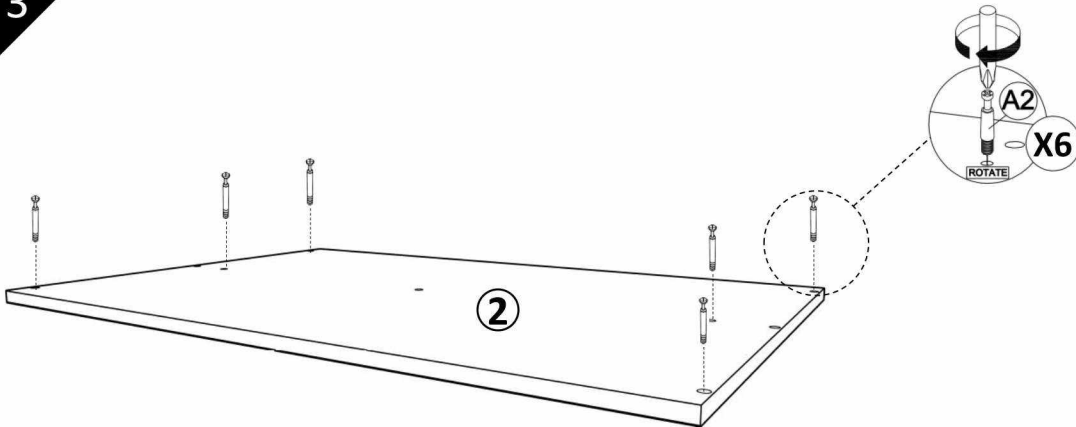
● SCREW LIST		
A2	6 X 40 MM 	X6
C	8 X 16 MM 	X20
D	6 X 32 MM 	X10

2



● SCREW LIST		
A2	6 X 40 MM 	X6

3

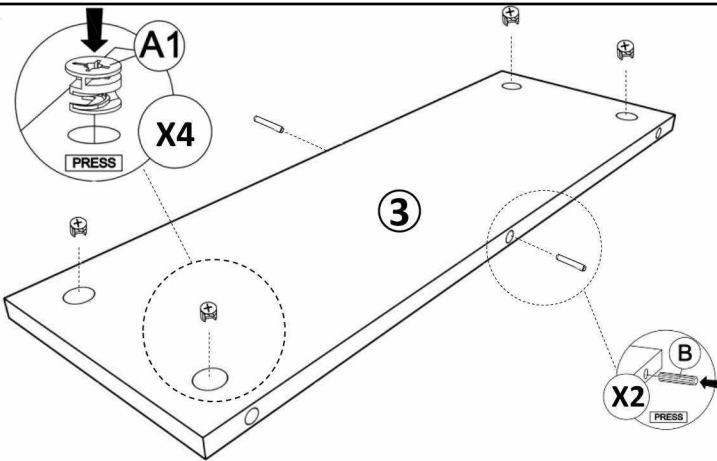


• SCREW LIST

A2 6 X 40 MM X6



4



Repeat the step with part 4 & 5

• SCREW LIST

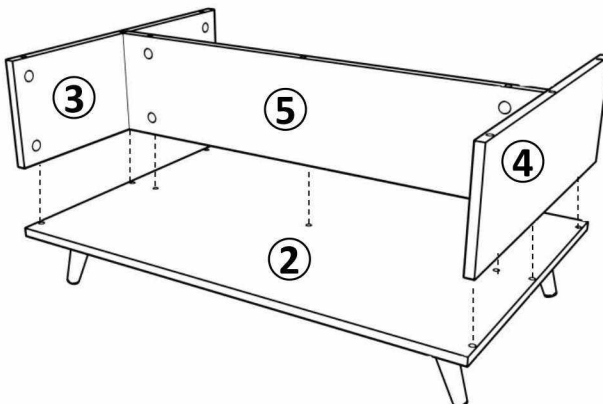
A1 8 X 40 MM X4



B 8 X 40 MM X2



5

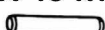


• SCREW LIST

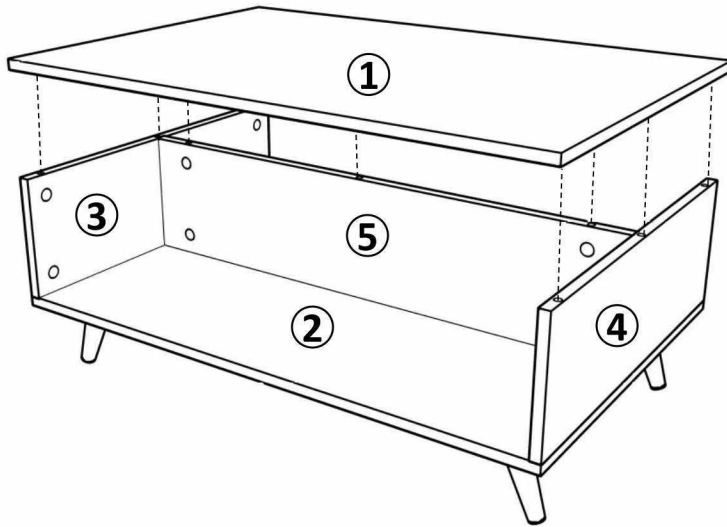
A2 6 X 40 MM X6




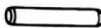
B 8 X 40 MM X3



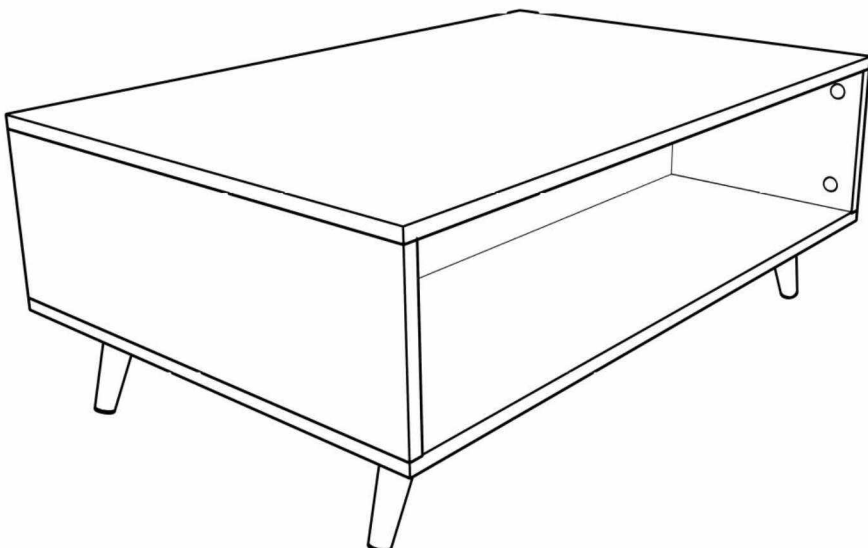
6




• SCREW LIST

A2	6 X 40 MM	X6
		
B	8 X 40 MM	X3
		

CONGRATULATIONS!!



Material check list

PART NO	COMPONENT	QTY	QC
1	TOP PANEL 	1	
2	BOTTOM PANEL 	1	
3	FRONT SIDE PANEL LH 	1	
4	FRONT SIDE PANEL RH 	1	
5	cv 	1	
6	ANGLE WOODEN LEG 	4	
7	STRIGHT WOODEN LEG 	1	

