

GUDSMITH D2

ASSEMBLY INSTRUCTION

Thanks for purchasing one of our products, please read carefully the assembly instructions before installation (Attention: Do not tighten the screws before all screws are in place).



TWO PEOPLE REQUIRED

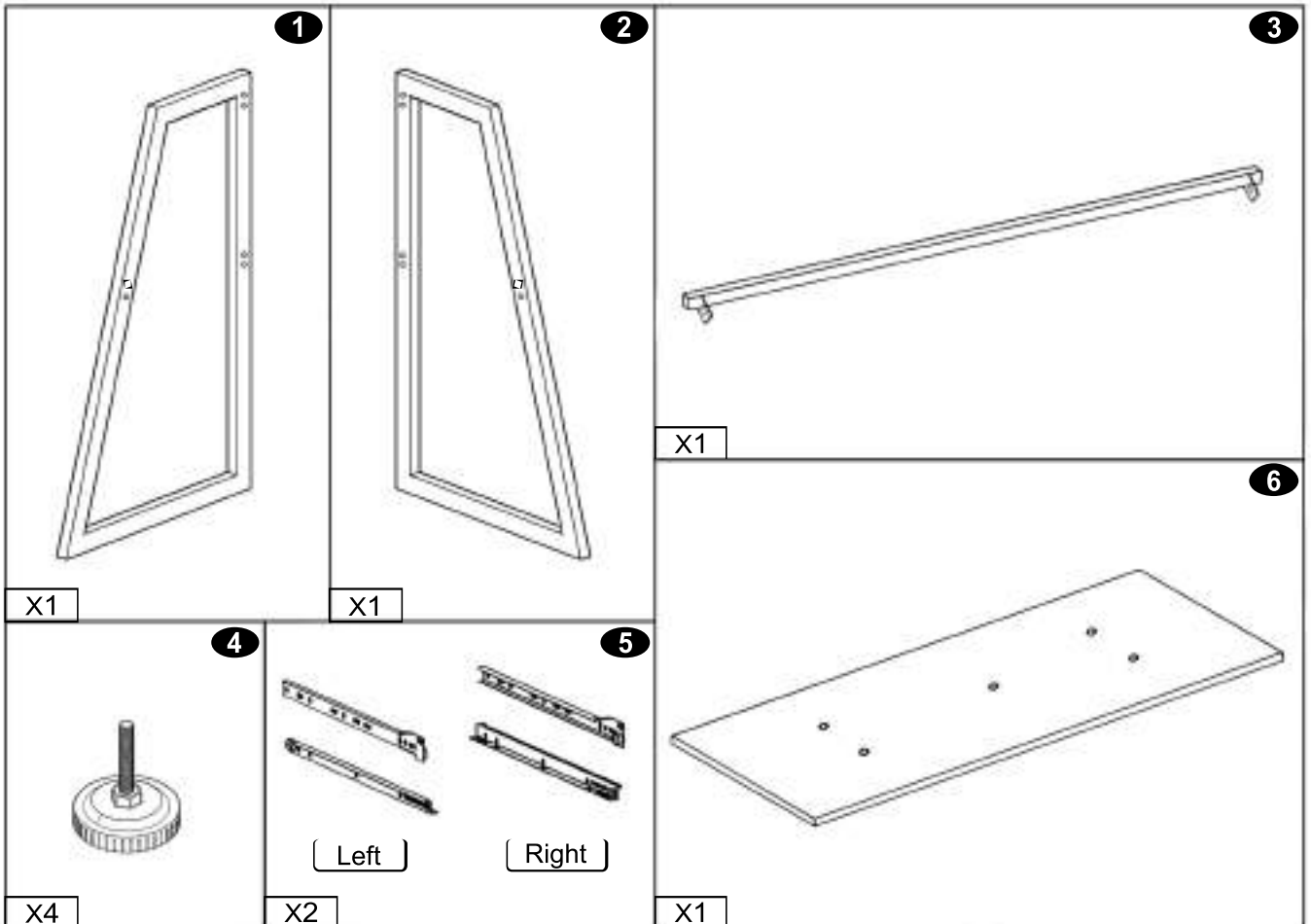
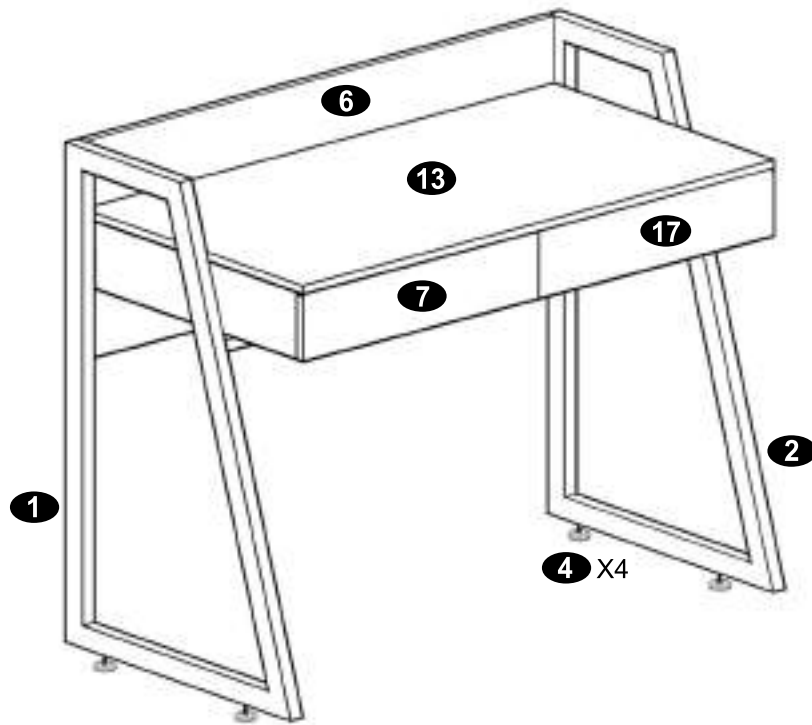
General Care:

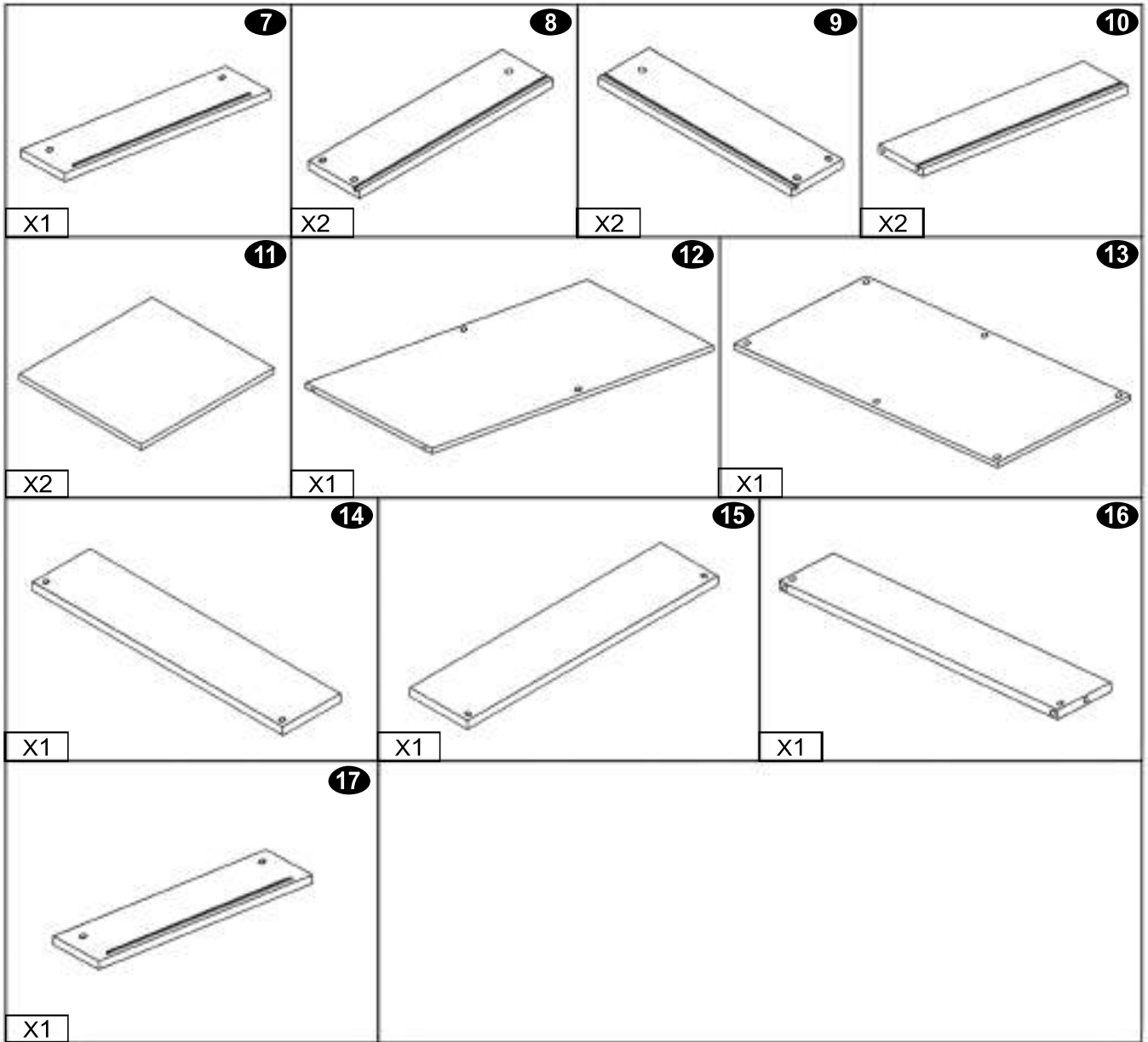
- Keep your furniture out on direct sunlight-Use desk pads and coasters to protect the surface from dents, scatches and moisture from hot and cold liquids.

Cleaning:

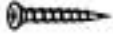
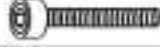



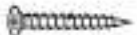


- For cleaning, wipe the surface with a damp (not with) cloth or wipe dry with a clean lint free cotton cloth.
- Window cleaning liquid or a similar cleaning liquid can be used to clean glass surfaces

• PARTS LIST

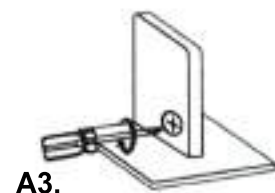
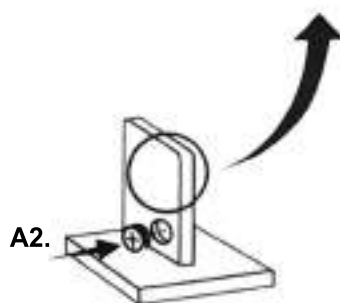
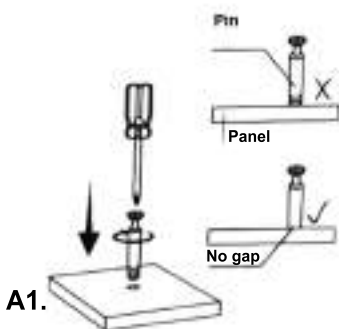
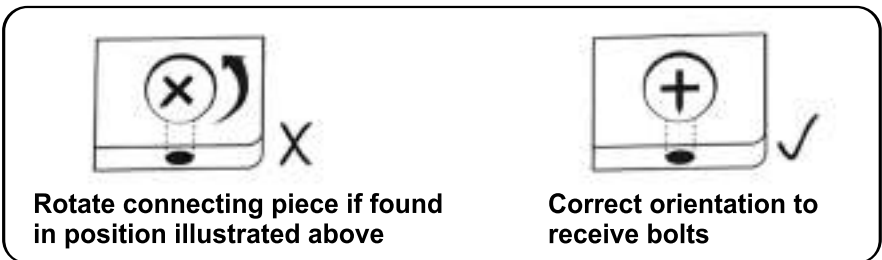
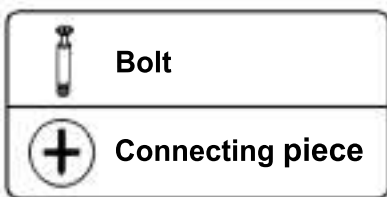




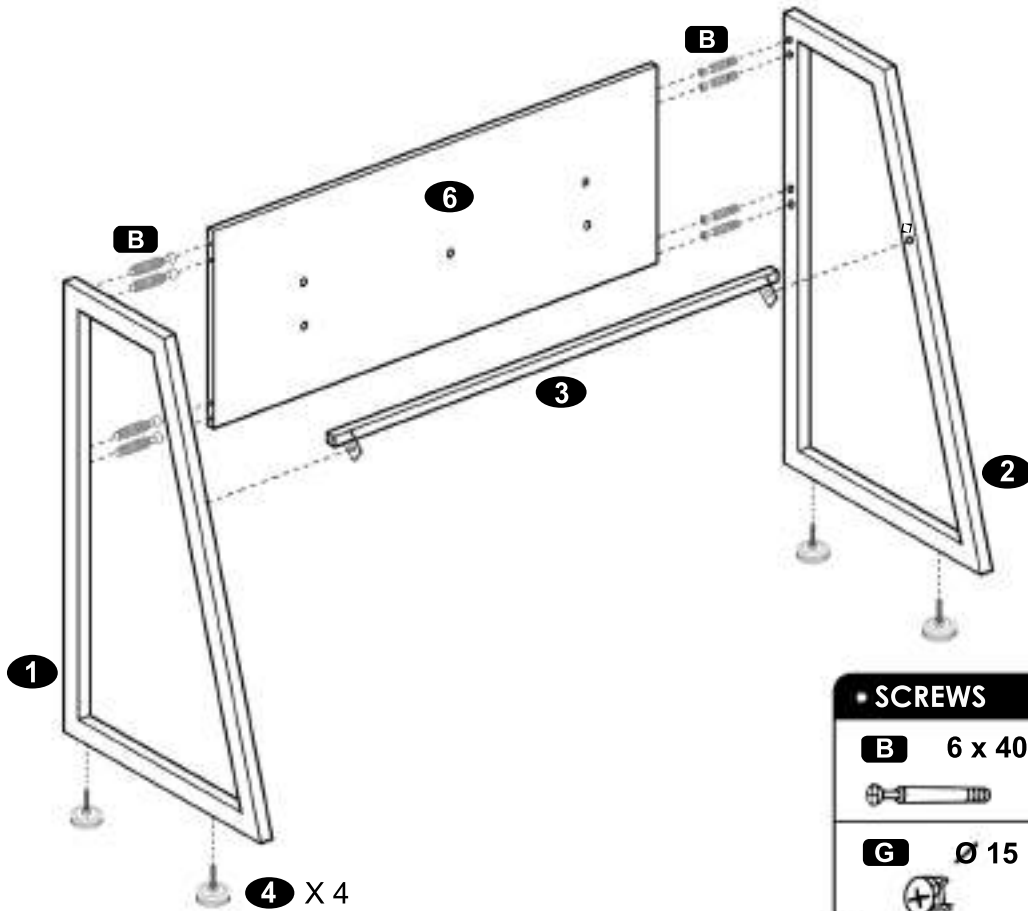
• SCREWS LIST





PART	QTY.	ITEM		PART	QTY.	ITEM	
A	24	5 x 13 MM		F	3	6 x 35 MM	
B	29	6 x 40 MM		G	27	Ø 15 MM	
C	16	8 x 40 MM					
D	8	6 x 32 MM				M 4	
E	2	6 x 16 MM					

6x40 MM BOLTS INSTALLATION AS BELOW

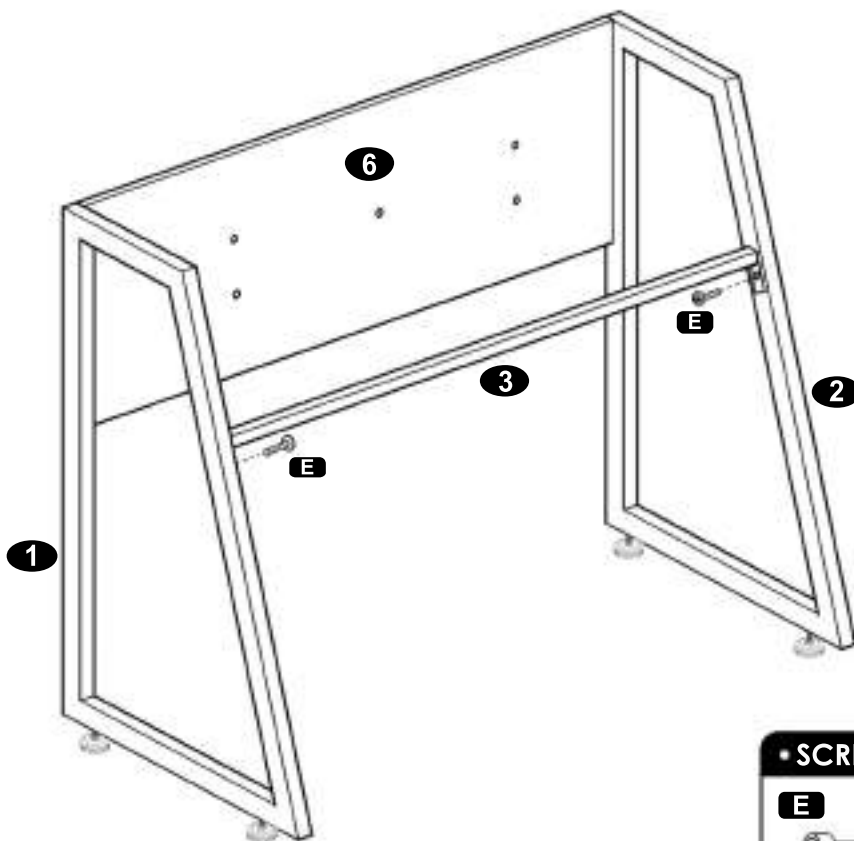


1



• SCREWS		
B	6 x 40 MM	
	x 8	
G	Ø 15 MM	
	x 8	

2



• SCREWS		
E	6 x 16 MM	
	x 2	
		M4

3

D 6 x 32 MM x 4

• SCREWS

4

5

B 6 x 40 MM x 2

G Ø 15 MM x 2

• SCREWS

• SCREWS

A 5 x 13 MM x 4

6

6 Left

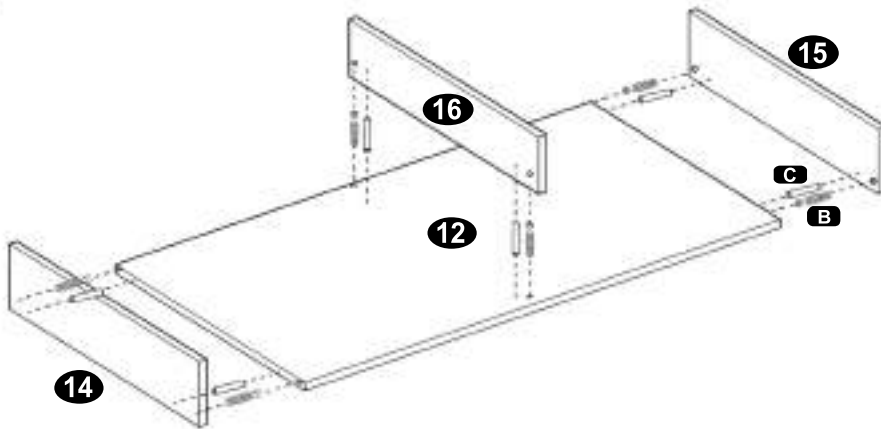
6 Right

Repeat steps 3 to 6 to install the other drawers

• SCREWS

A 5 x 13 MM x 4

7



• SCREWS

B 6 x 40 MM

x 6

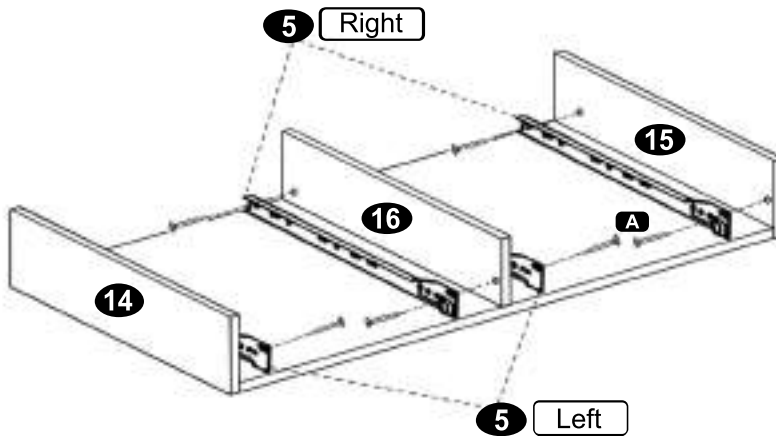
G Ø 15 MM

x 6

C 8 x 40 MM

x 6

8

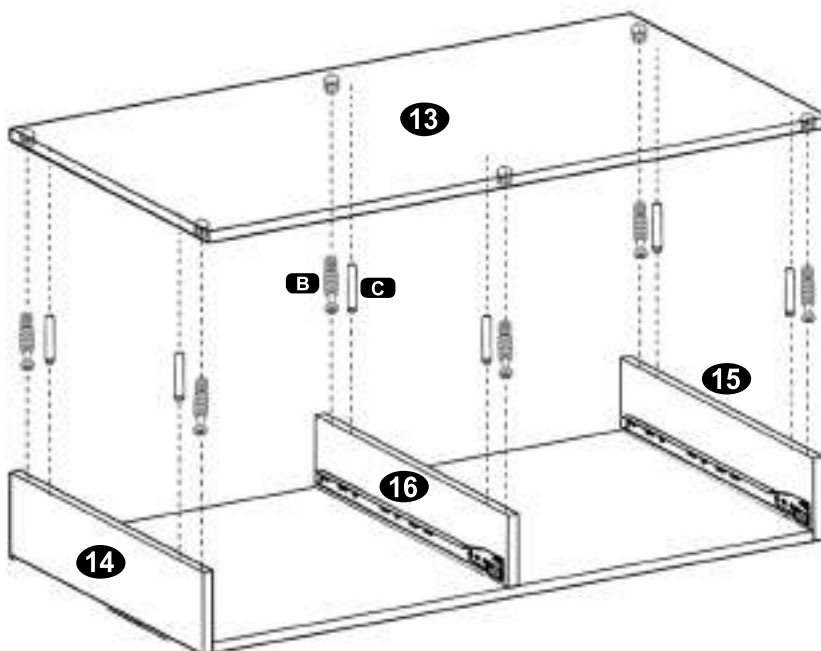


• SCREWS

A 5 x 13 MM

x 8

9



• SCREWS

B 6 x 40 MM

x 6

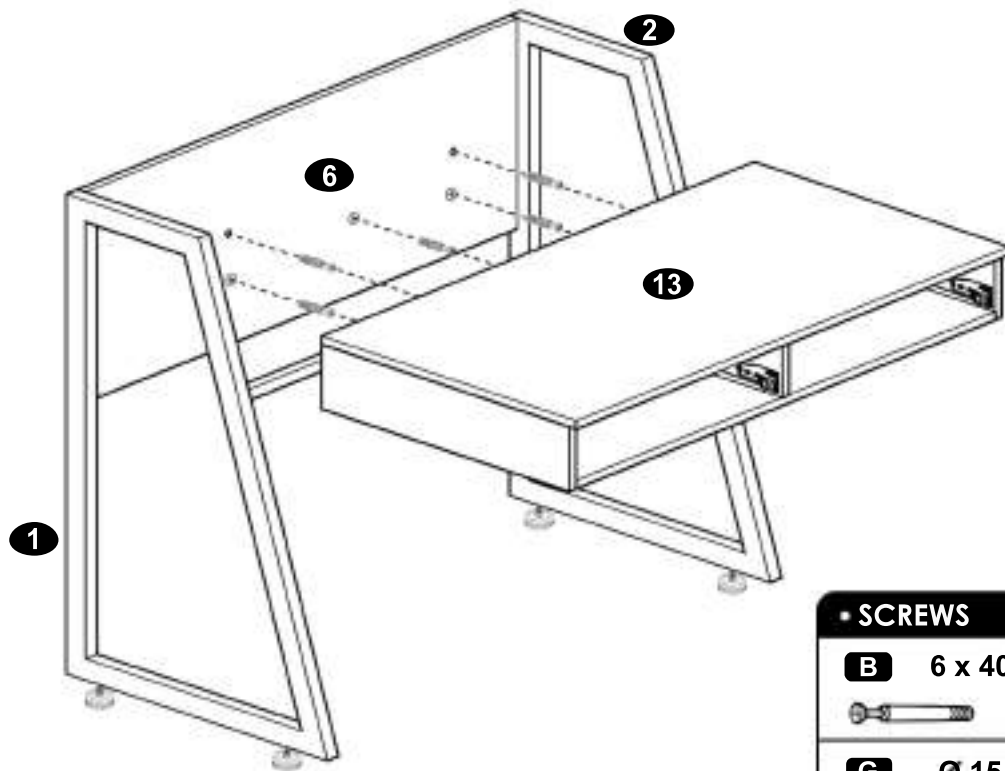
G Ø 15 MM

x 6

C 8 x 40 MM

x 6

10



• SCREWS

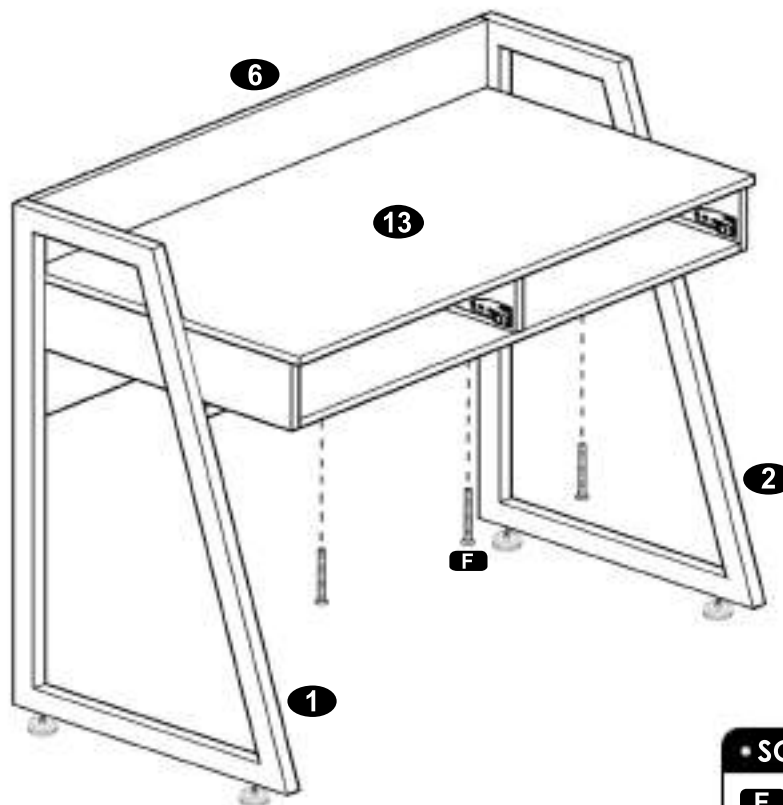
B 6 x 40 MM

x 5

G Ø 15 MM

x 3

11



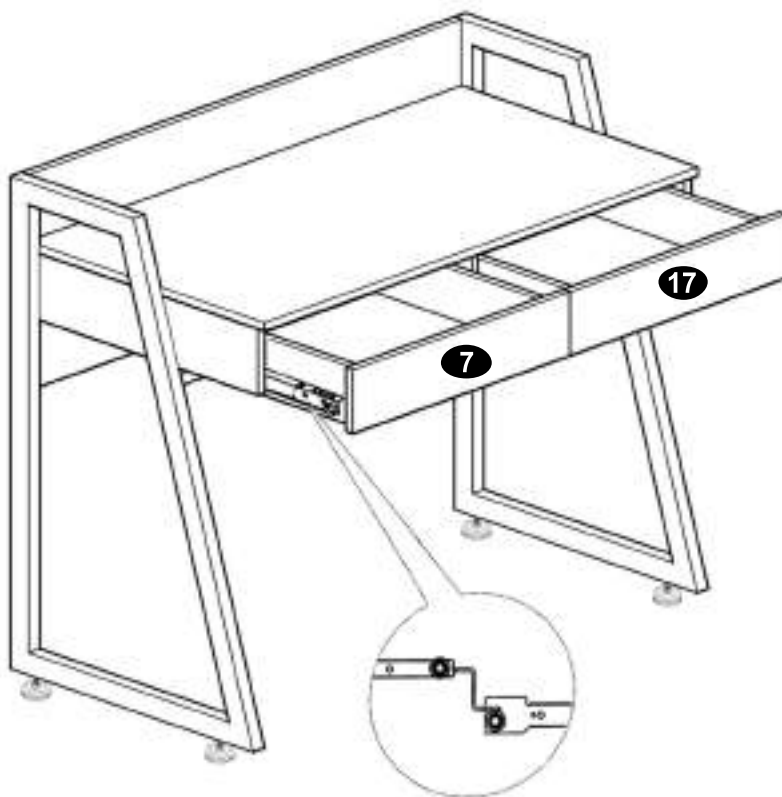
• SCREWS

F 6 x 32 MM

x 3

M4

12



GUDSMITH