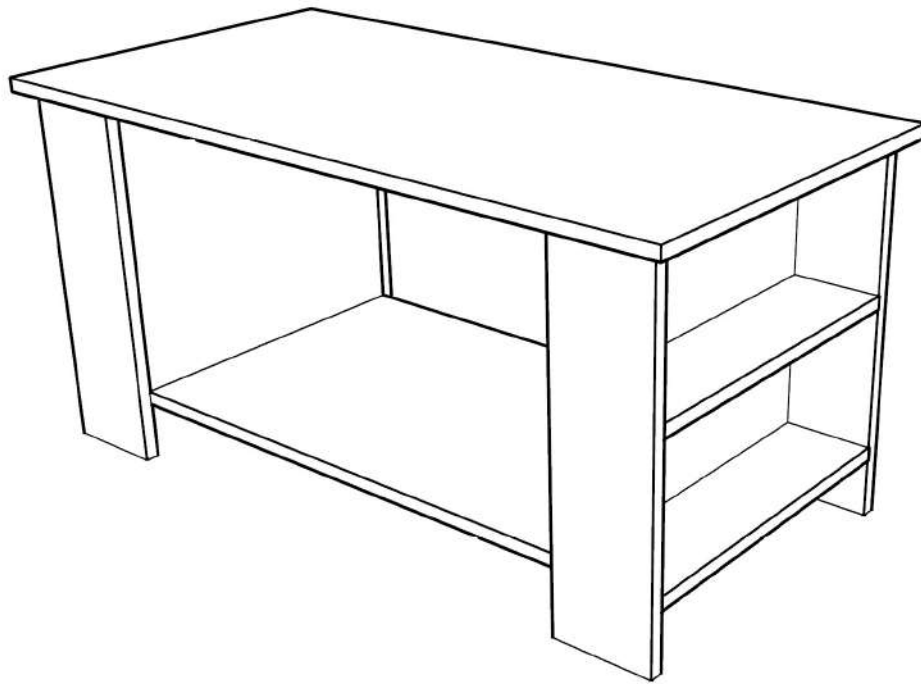
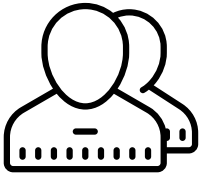


CT4

Coffee Table



Assembly Instructions



TWO PEOPLE REQUIRED

Thank you for purchasing one of our products.

Please read the assembly instructions carefully before installation.

(Attention: Do not tighten the screws before all of them are in place).

General Care:–

- Keep your furniture out on direct sunlight.
- Use desk press and coasters to protect the surface from dents, scratches and moisture from hot and cold liquids.
- Secure this furniture to the wall using tip over restraints.

Cleaning:–

- For cleaning, wipe surface with a damp (not with) cloth or dry wipe with a lint free cotton cloth.


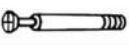


***Warning**

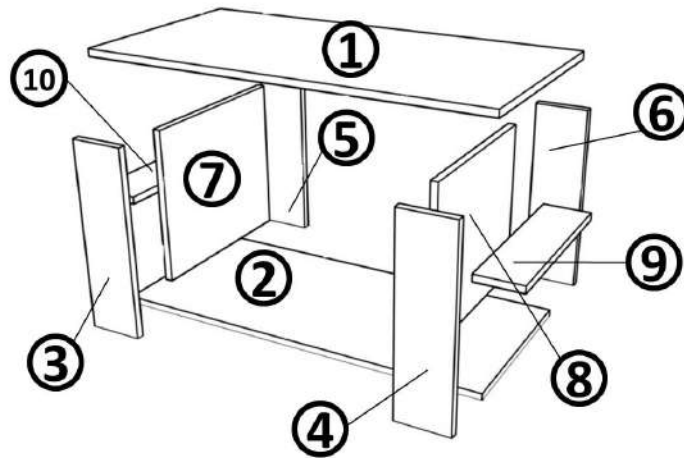
Any damage incurred while assembling the product isn't covered under warranty

● PARTS LIST

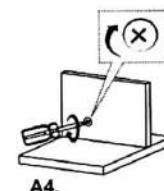
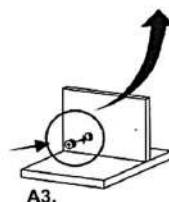
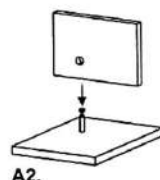
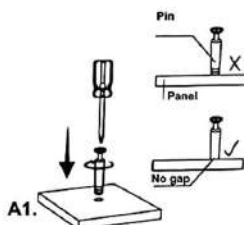
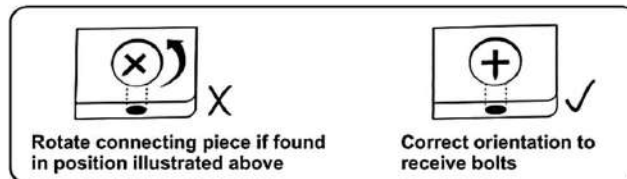
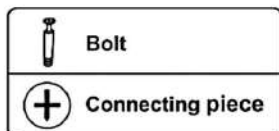
1	TOP PANEL	1
2	BOTTOM PANEL	1
3	FRONT SIDE LH	1
4	FRONT SIDE RH	1
5	BACK SIDE LH	1
6	BACK SIDE RH	1
7	CV LH	1
8	CV RH	1
9	RH FIXED SHELF	1
10	LH FIXED SHELF	1

● SCREW LIST

HARDWARE					
A	MINIFIX A1		A2		20
B	DOWEL				16
C	LEVLLER				4




6x40 MM BOLTS INSTALLATION AS BELOW



1

1

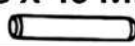

● SCREW LIST

A2	6 X 40	X4	
----	--------	----	---

2

2

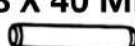

● SCREW LIST

B	8 X 40 MM	X4	
A1	8 X 40 MM	X4	

3

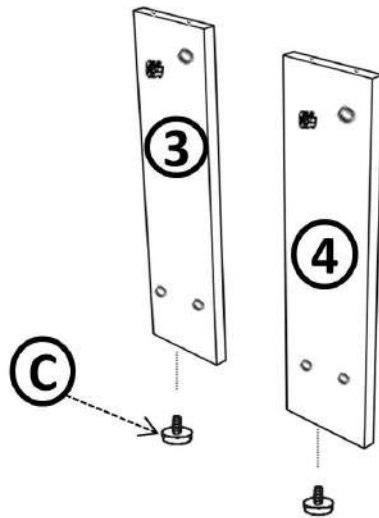
7

● SCREW LIST

B	8 X 40 MM	X2	
A1	8 X 40 MM	X4	




Repeat the step with part 8

4

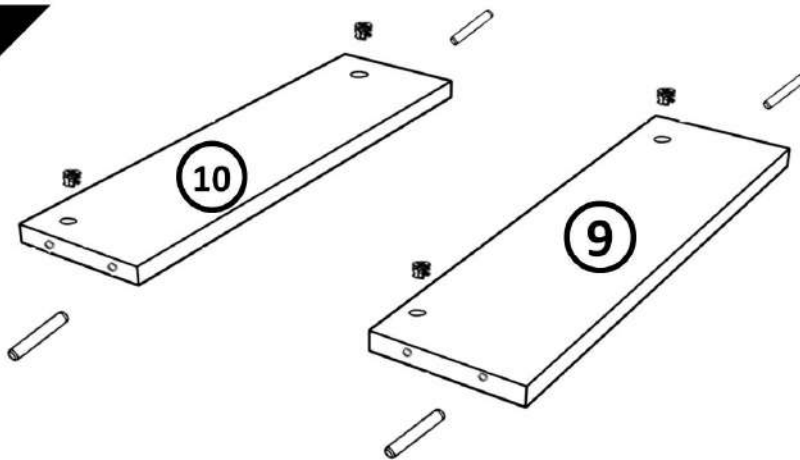


Repeat the step with parts 5 & 6

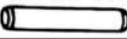

● SCREW LIST

A2	6 X 40	X4	
B	8 X 40 MM	X4	
A1	8 X 40 MM	X4	

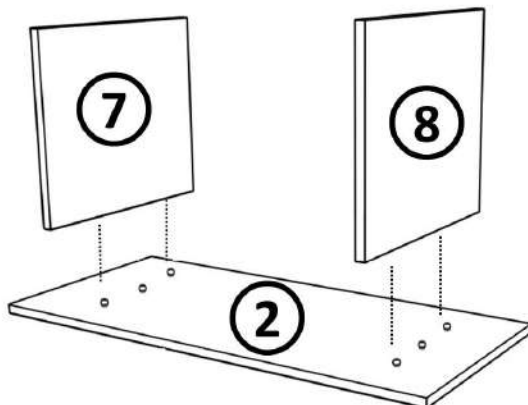
5




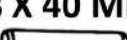

● SCREW LIST

B	8 X 40 MM	X4	
A1	8 X 40 MM	X4	

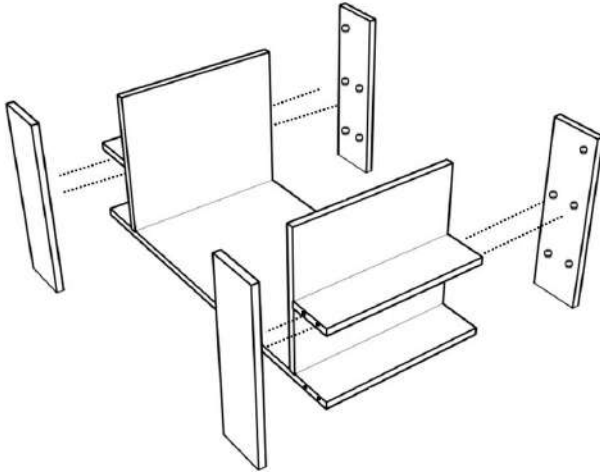
6



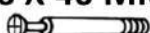




● SCREW LIST

A2	6 X 40 MM	X4	
B	8 X 40 MM	X2	
A1	8 X 40 MM	X4	

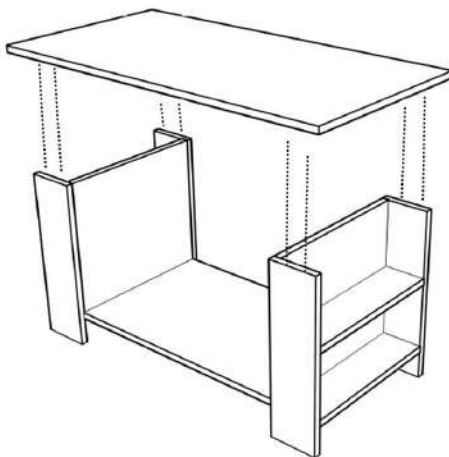
7



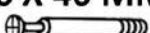




● SCREW LIST

A2	6 X 40 MM		X8	
B	8 X 40 MM		X8	
A1	8 X 40 MM		X8	

8



● SCREW LIST

A2	6 X 40 MM		X8	
B	8 X 40 MM		X6	
A1	8 X 40 MM		X8	

CONGRATULATIONS!!!

