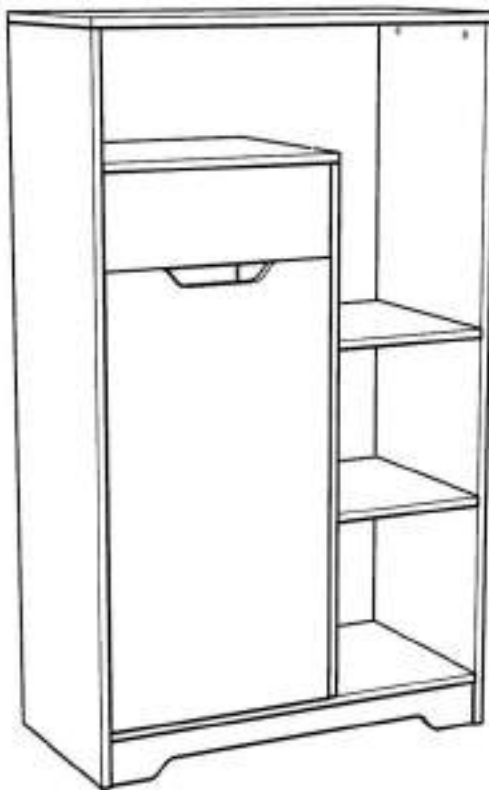


English

# SOW 1

## ASSEMBLY INSTRUCTION

Thanks for purchasing one of our products, please read carefully the assembly instructions before installation (Attention: Do not tighten the screws before all screws are in place).



**TWO PEOPLE REQUIRED**

### General Care:

- Keep your furniture out on direct sunlight-Use desk pads and coasters to protect the surface from dents, scratches and moisture from hot and cold liquids.

### Cleaning:










- For cleaning, wipe the surface with a damp (not with) cloth or wipe dry with a clean lint free cotton cloth.
- Window cleaning liquid or a similar cleaning liquid can be used to clean glass surfaces

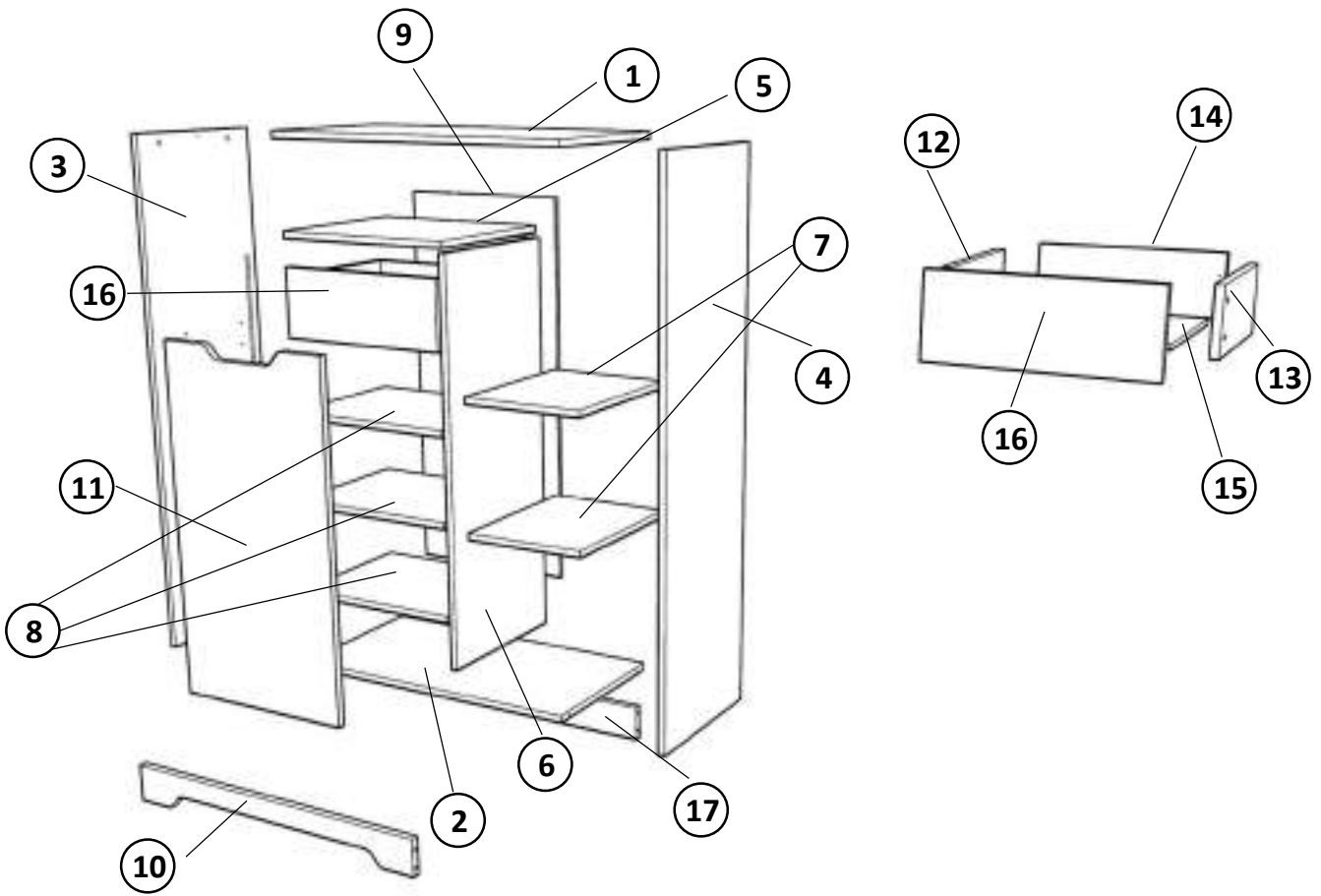
• PARTS LIST

ITEMS LIST		QTY
1	TOP PANEL	1 PC
2	BOTTOM PANEL	1 PC
3	SIDE LH	1 PC
4	SIDE RH	1 PC
5	INNER TOP PANEL	1 PC
6	CV	1 PC
7	RH FIXED SHELF	2 PCS
8	ADJUSTABLE SHELF	3 PCS
9	BACK PANEL	1 PC
10	FRONT SKIRTING	1 PC
11	SHUTTER	1 PC

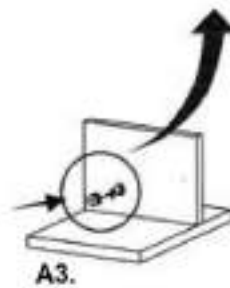
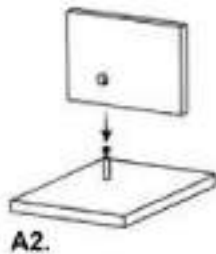
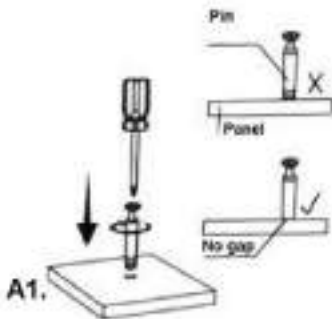
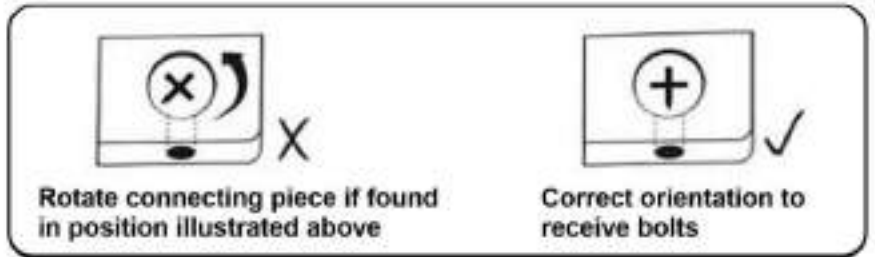
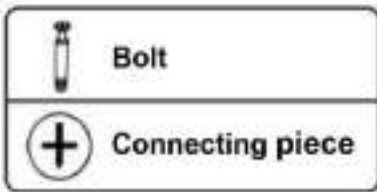
12	LH DRAWER SIDE	1 PC
13	RH DRAWER SIDE	1 PC
14	DRAWER BACK	1 PC
15	DRAWER BOTTOM	1 PC
16	FACIA	1 PC
17	BACK SKIRTING	1 PC

• SCREW LIST

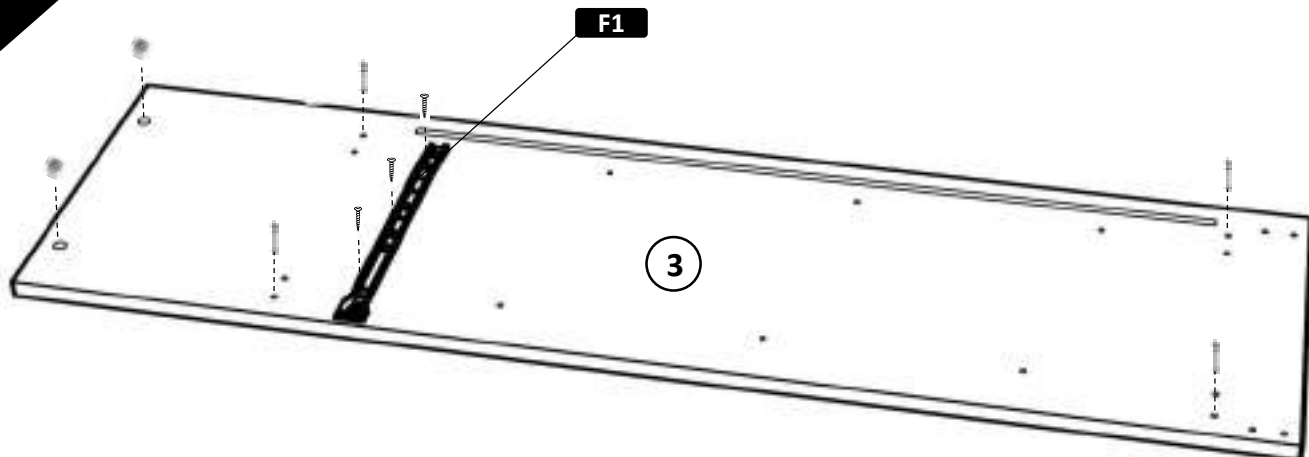
HARDWARE			
A	MINI FIX		26 SET
B	M8 X 40 DOWELS		32 PCS
C	M6 X 32 SCREW		4 PCS
D	M8 X 16 SCREW		14 PCS
E	M5 X 13 SCREW		12 PCS
F	350MM BMC		1 SET
G	16 CRANK HINGES		1 SET
H	SHELF PIN		12 PCS
I	DOOR STOPPER		1 PCS




**6x40 MM BOLTS INSTALLATION AS BELOW**





1



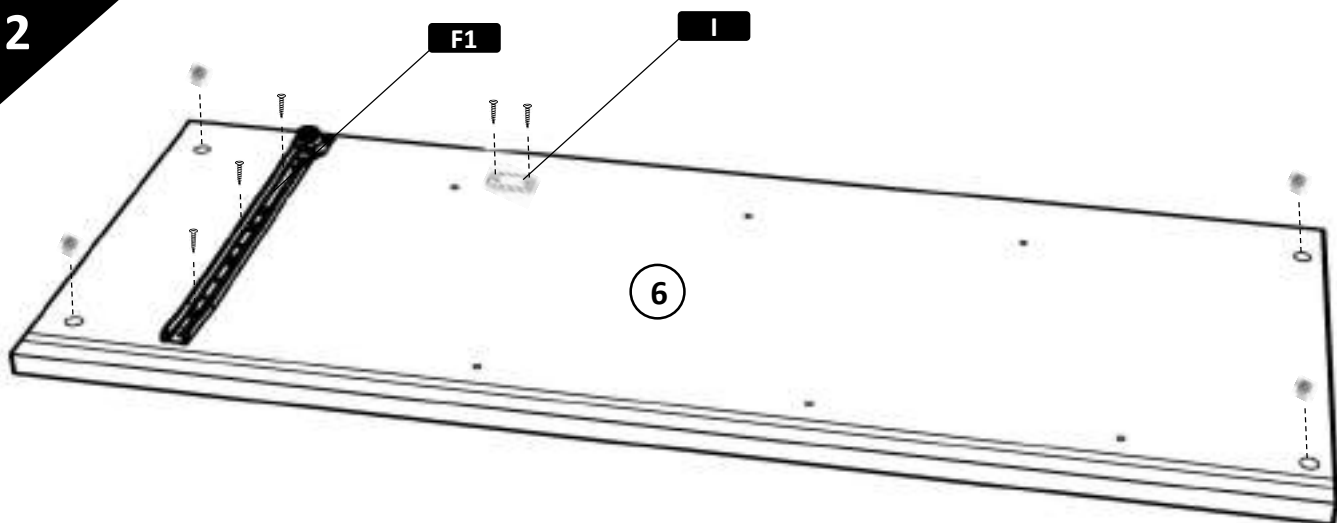
• SCREWS

**E** 5 x 13 MM  
 X 3


**A1** Ø 15 MM  
 X 2


**A2** 6 X 40 MM  
 X 4


2



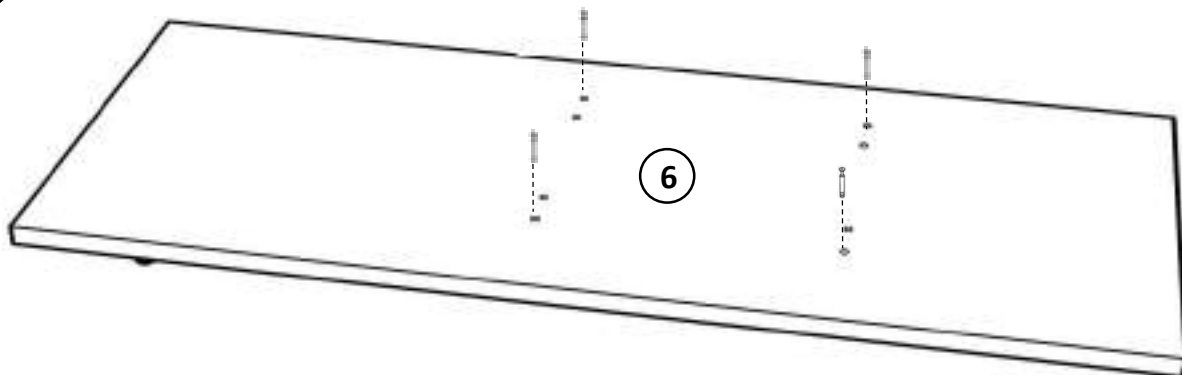
• SCREWS

**E** 5 x 13 MM  
 X 3

**A1** Ø 15 MM  
 X 4

**D** 8 x 16 MM  
 X 2

3



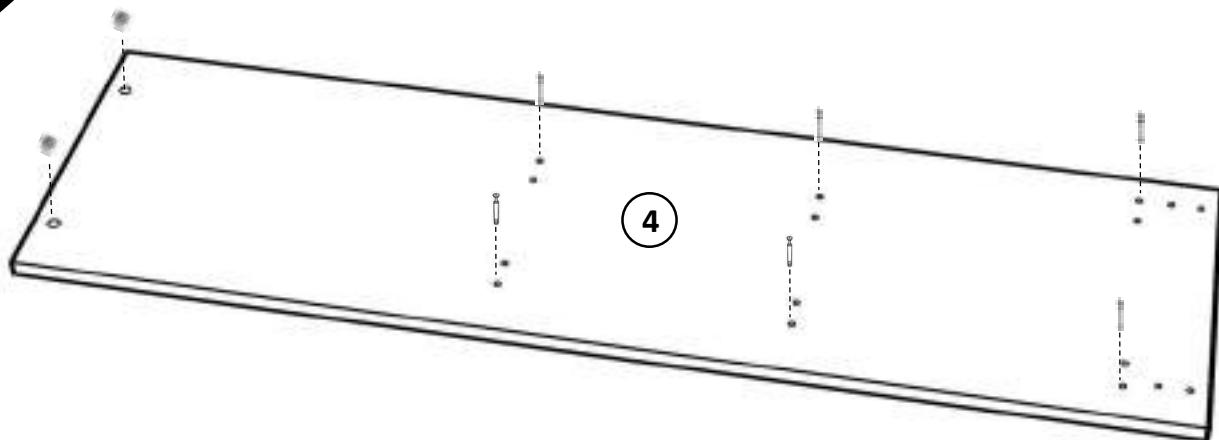
● SCREWS

**A2** 6 X 40 MM

X 4



4



● SCREWS

**A1**  Ø 15 MM

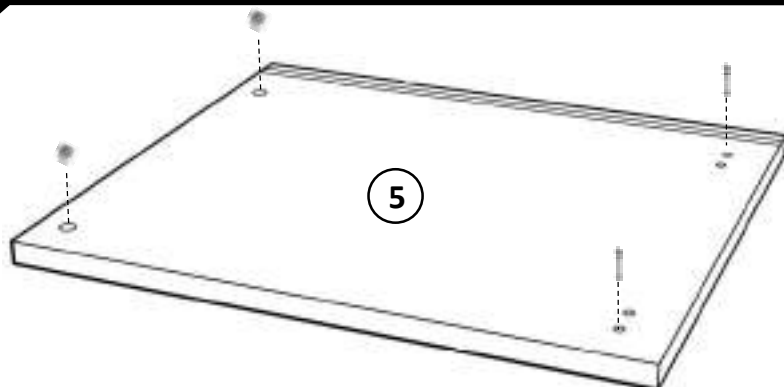
X 2

**A2** 6 X 40 MM

X 6



5



● SCREWS

**A1**  Ø 15 MM

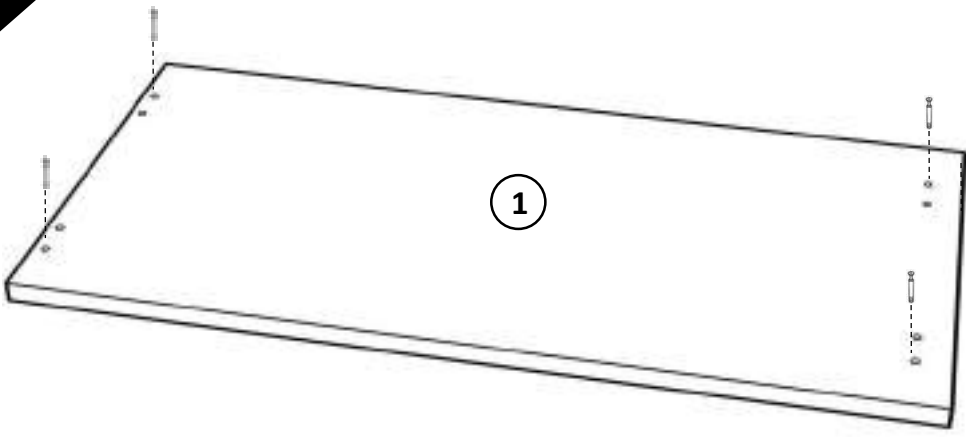
X 2

**A2** 6 X 40 MM


X 2



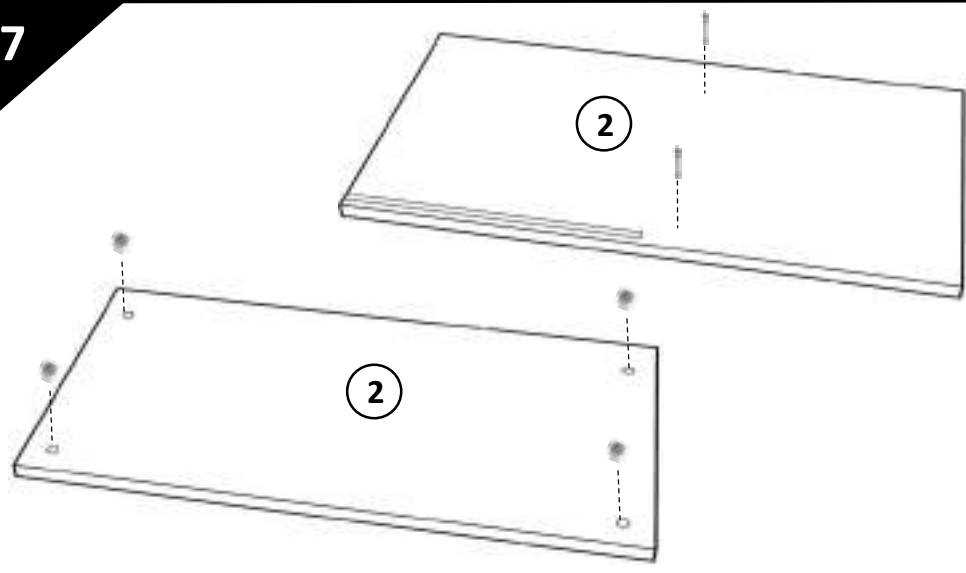
6






● SCREWS

<b>A2</b>	6 X 40 MM	
	X 4	

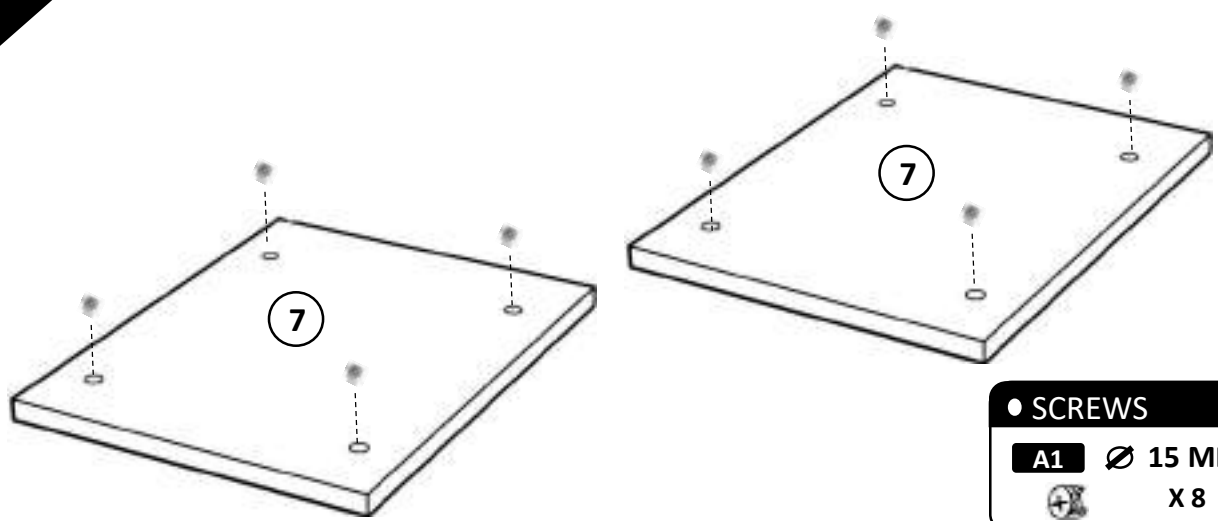
7




● SCREWS

<b>A1</b>	 Ø 15 MM	
	X 4	
<b>A2</b>	6 X 40 MM	
	X 2	

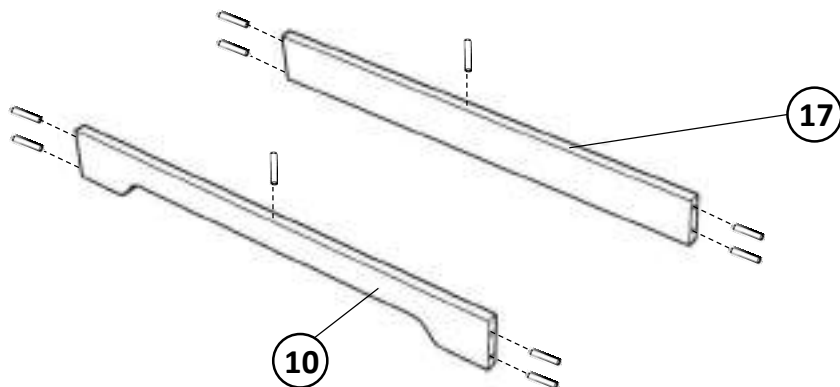
8



● SCREWS

<b>A1</b>	 Ø 15 MM	
	X 8	


9



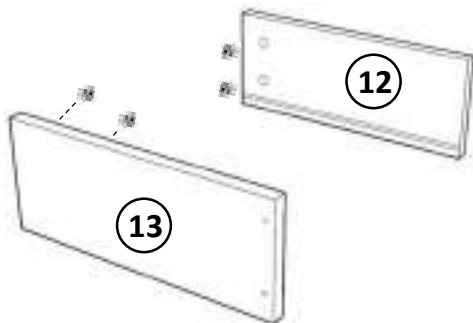
● SCREWS

**B** 8 X 40 MM

X 10



10



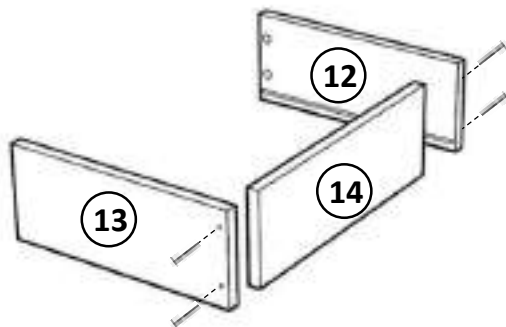
● SCREWS

**A1** Ø 15 MM

X 4






11



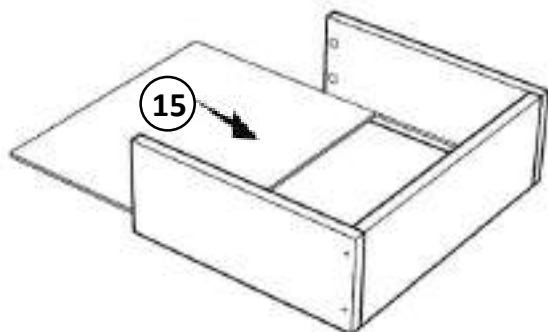
● SCREWS

**C** 6 x 32 MM

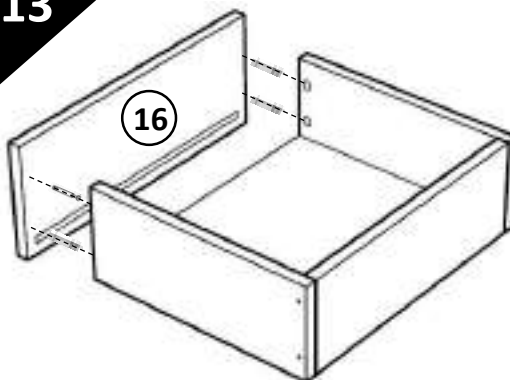
X 4

12



13



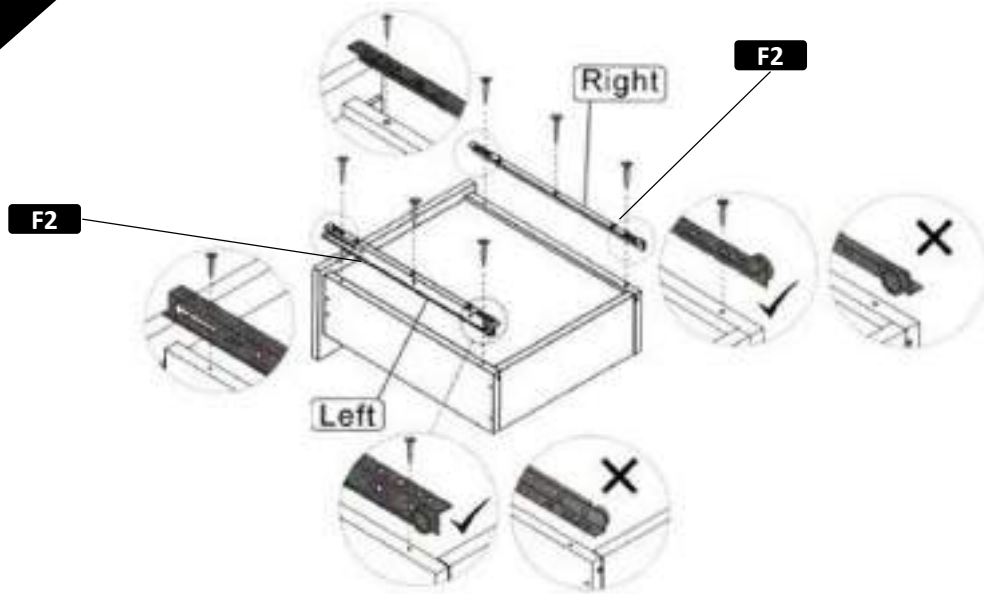
● SCREWS

**A2** 6 X 40 MM

X 4




14



• SCREWS

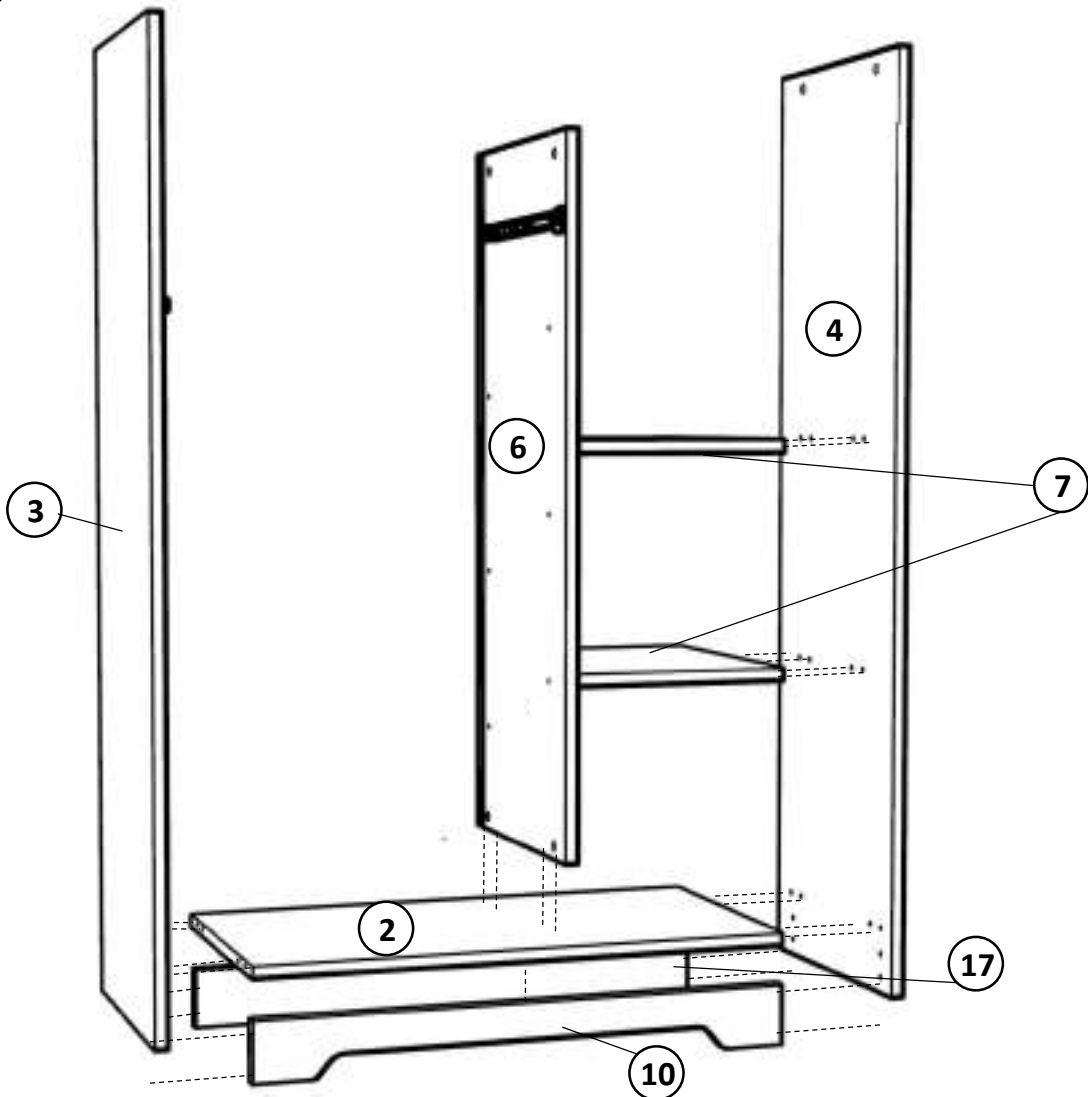
E 5 x 13 MM



X 6

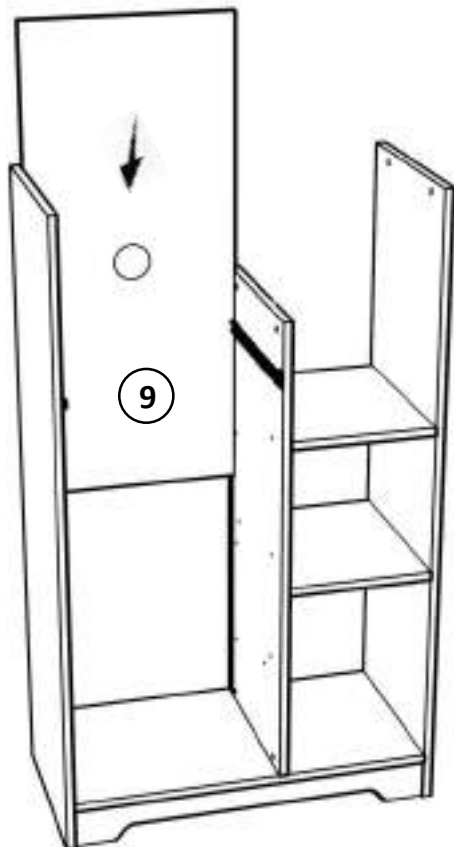


15

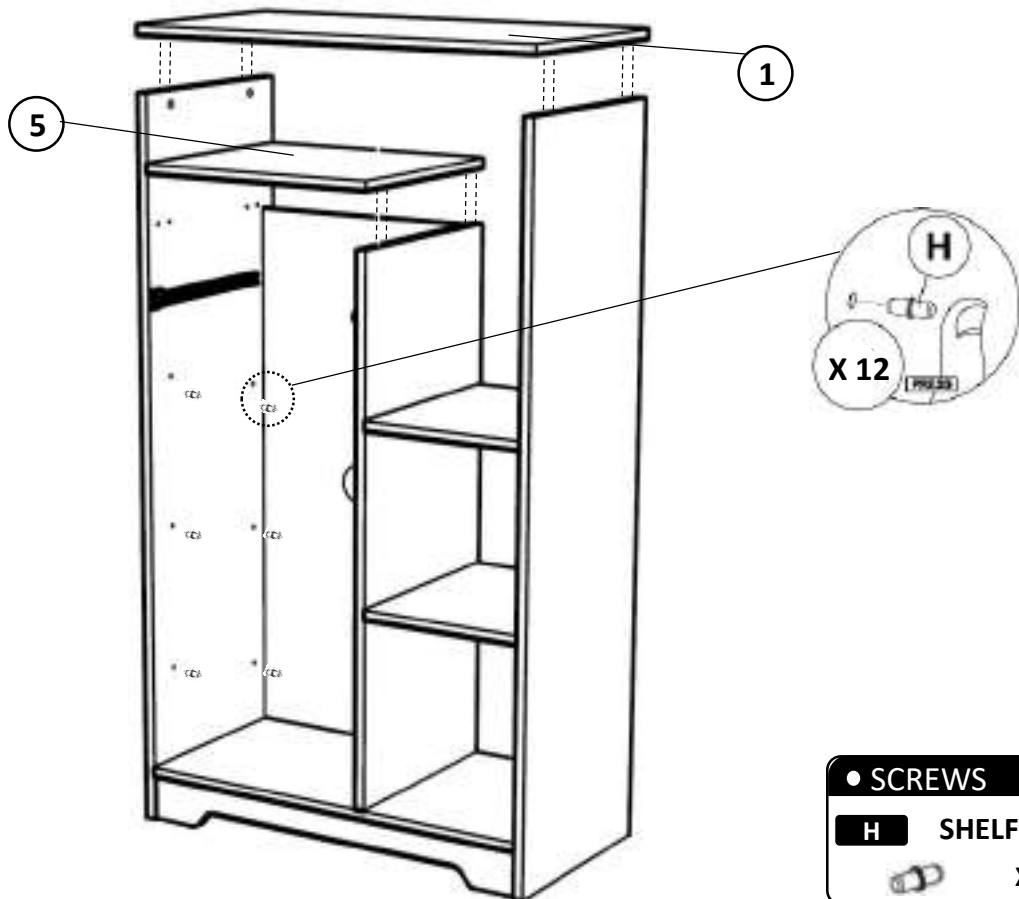




16

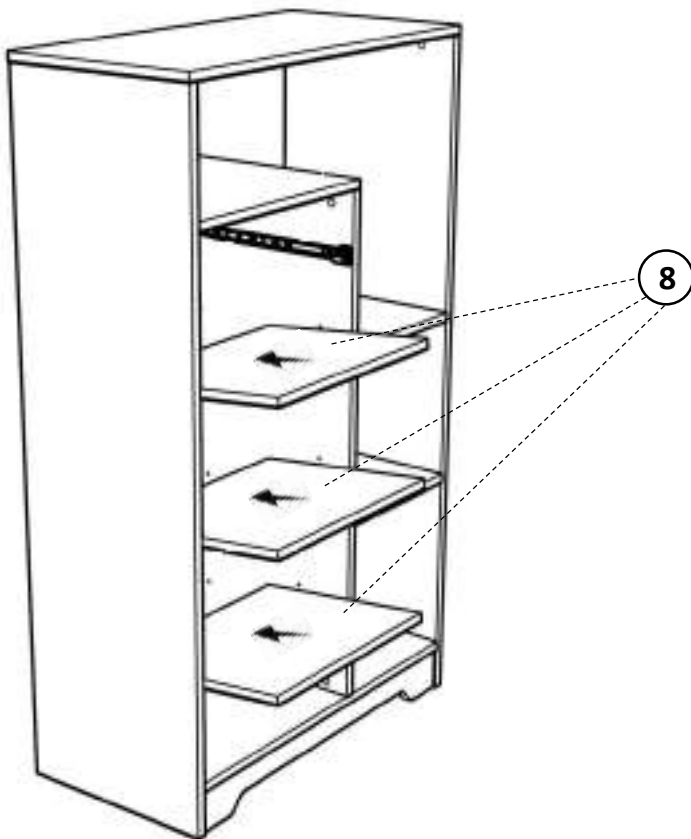


17

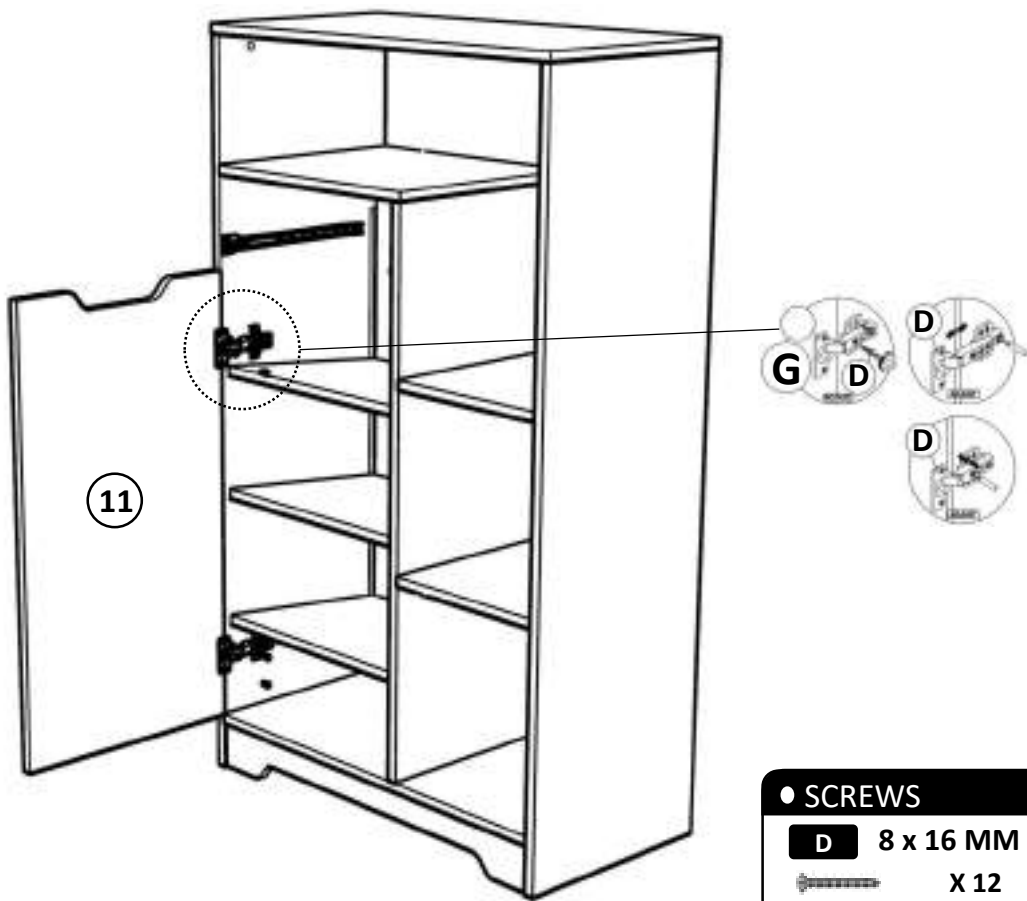


- SCREWS
- H SHELF PIN
- X 12

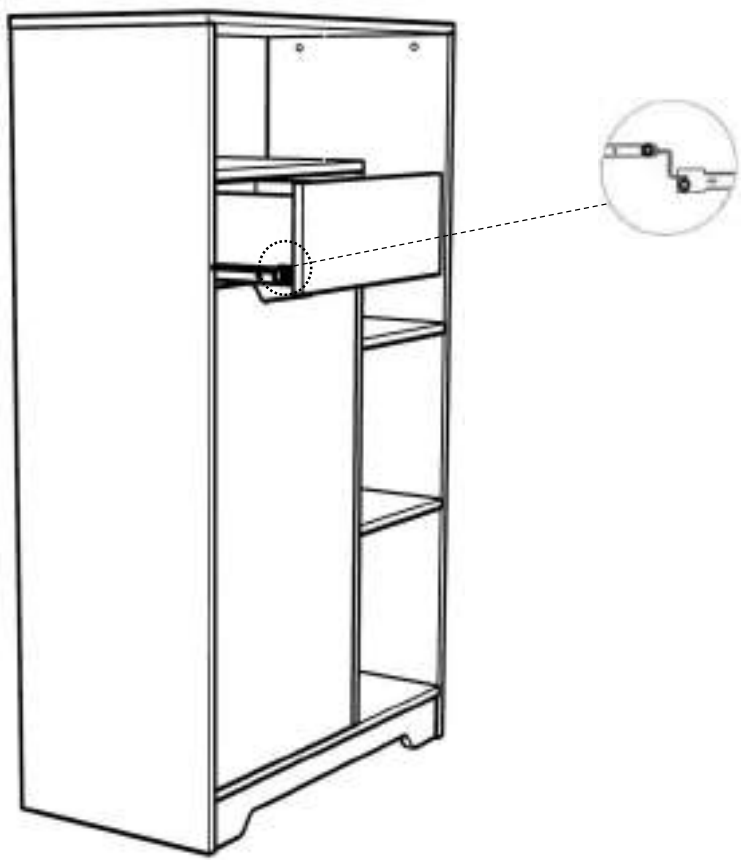
18



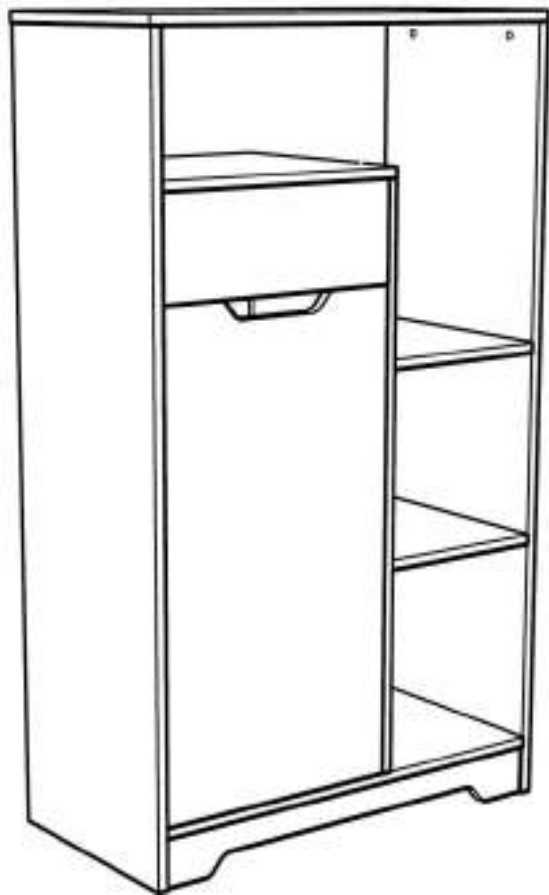
19



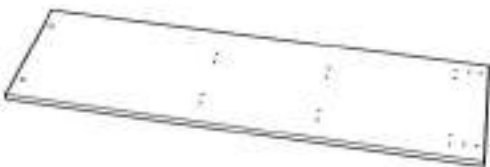



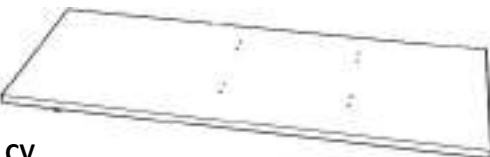





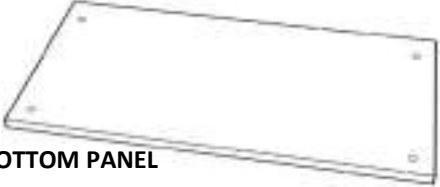








20



CONGRATULATIONS!!!



Material check list

PART 4		1	PART 8		1
PART 3		1	PART 1		1
PART 6		1	PART 8		1
			<b>Hardware and Channels</b>		
PART 16		1	PART 15		1
PART 14		1	PART 13		1
PART 2		1	PART 10		1
PART 12		1	PART 17		1
PART 8		1	PART 7		2
PART 11		1	PART 9		1
			PART 5		1

**GUDSMITH**