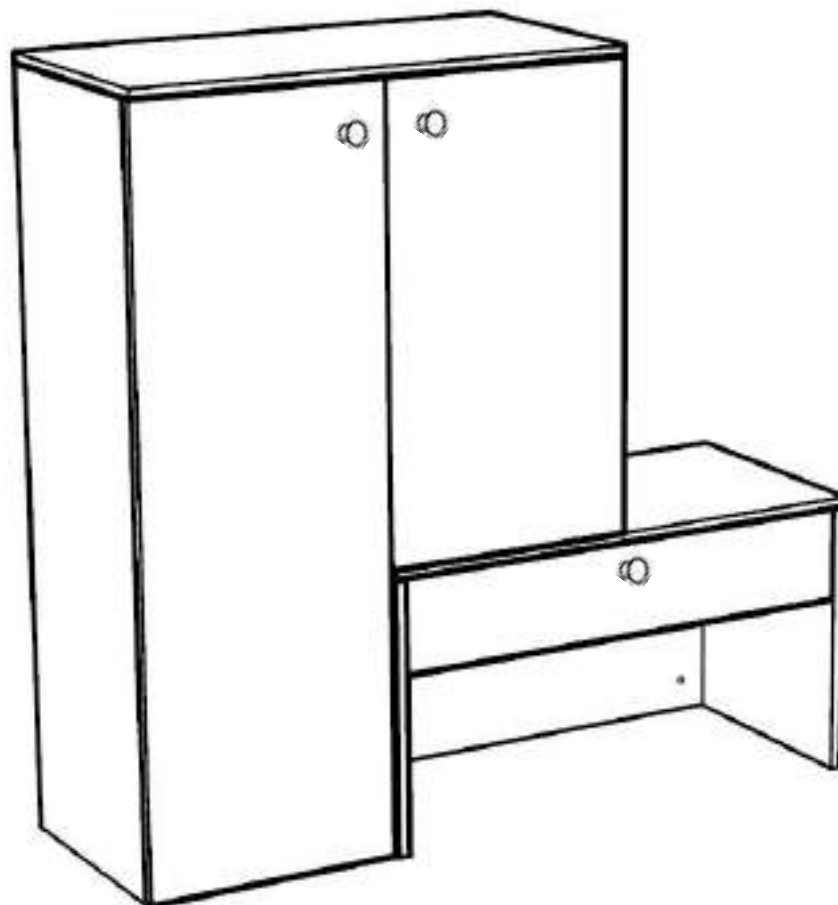


English

SSG2

ASSEMBLY INSTRUCTION

Thanks for purchasing one of our products, please read carefully the assembly instructions before installation (Attention: Do not tighten the screws before all screws are in place).



TWO PEOPLE REQUIRED

General Care:

- Keep your furniture out on direct sunlight-Use desk pads and coasters to protect the surface from dents, scratches and moisture from hot and cold liquids.

Cleaning:

- For cleaning, wipe the surface with a damp (not with) cloth or wipe dry with a clean lint free cotton cloth.
- Window cleaning liquid or a similar cleaning liquid can be used to clean glass surfaces










GUDDSMITH



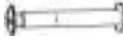
• PARTS LIST

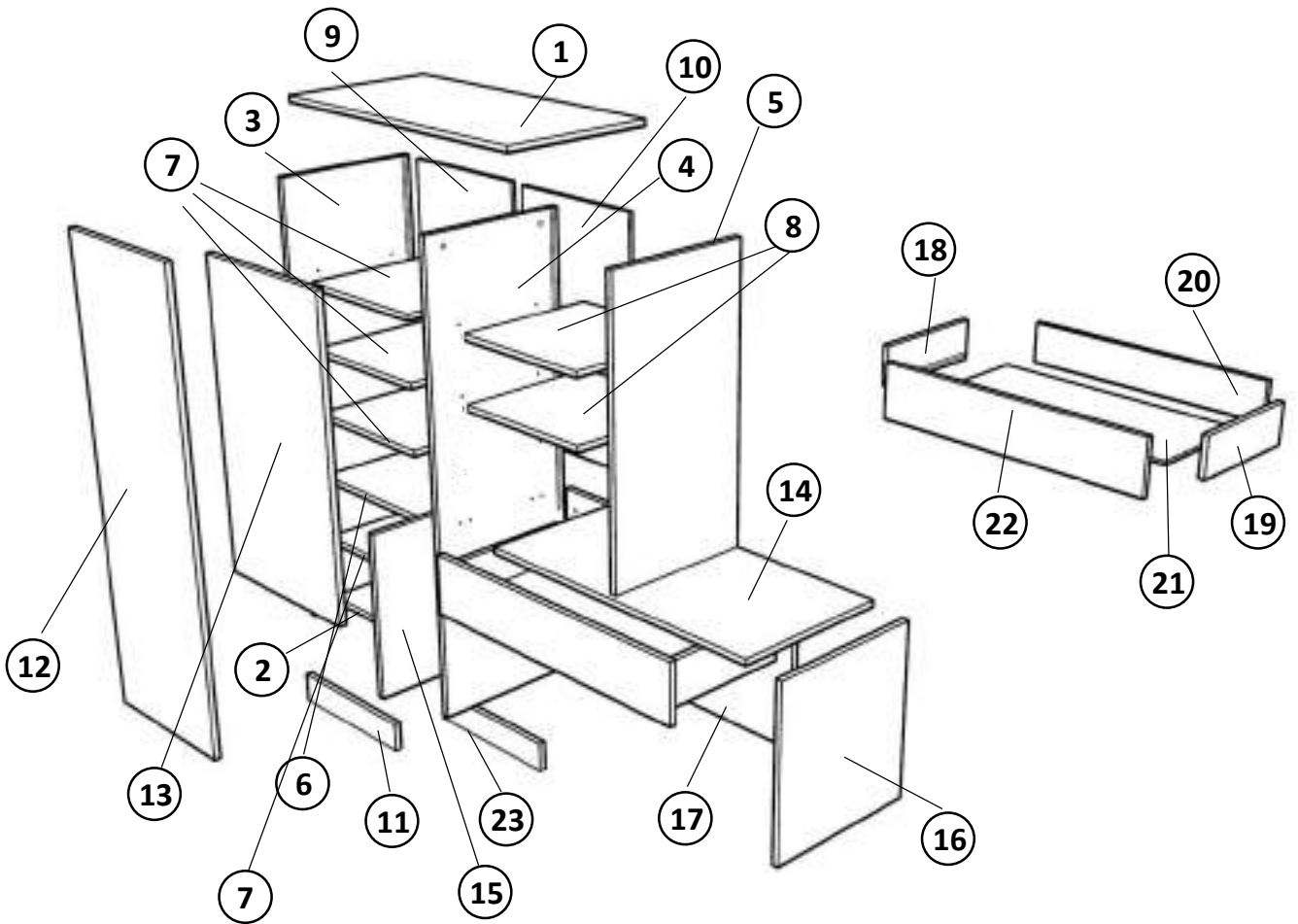
ITEMS LIST		QTY
1	TOP PANEL	1 PC
2	BOTTOM PANEL	1 PC
3	SIDE LH	1 PC
4	CV	1 PC
5	SIDE RH	1 PC
6	FIXED PANEL	1 PC
7	LH ADJUSTABLE SHELF	4 PCS
8	RH ADJUSTABLE SHELF	2 PCS
9	LH BACK PANEL	1 PC
10	RH BACK PANEL	1 PC
11	FRONT SKIRTING	1 PC
12	LH SHUTTER	1 PC
13	RH SHUTTER	1 PC
14	RH TOP	1 PC

15	SIDE LH	1 PC
16	SIDE RH	1 PC
17	MODESTY	1 PC
18	LH DRAWER SIDES	1 PC
19	RH DRAWER SIDES	1 PC
20	DRAWER BACK	1 PC
21	DRAWER BOTTOM	1 PC
22	FACIA	1 PC
23	BACK SKIRTING	1 PC
24	WOODEN KNOBS	3 PC

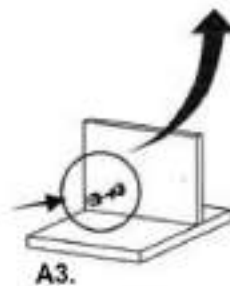
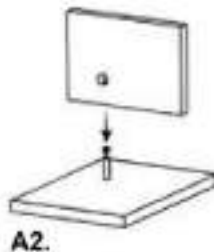
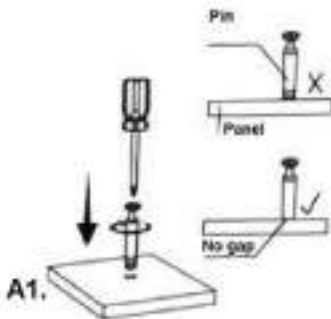
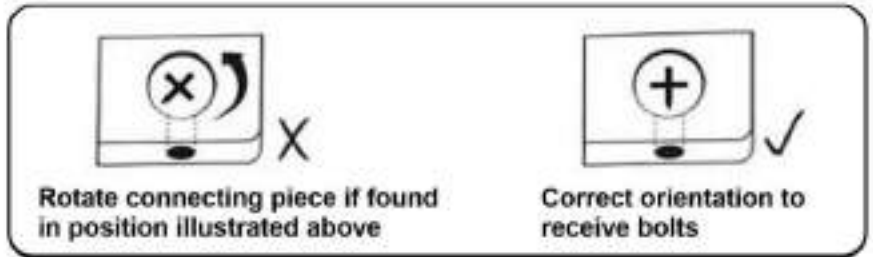
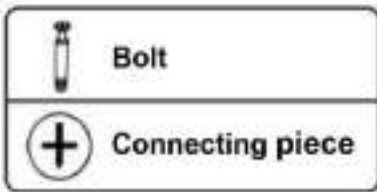
• SCREW LIST

HARDWARE			
A	MINI FIX		28 SET
B	M8 X 40 DOWELS		34 PCS
C	M6 X 32 SCREW		4 PCS
D	M8 X 16 SCREW		32 PCS
E	M5 X 13 SCREW		12 PCS
F	350MM BMC		1 SET
G	Ø CRANK HINGES		5 PCS
H	SHELF PIN		24 PCS
I	DOOR STOPPER		1 PCS

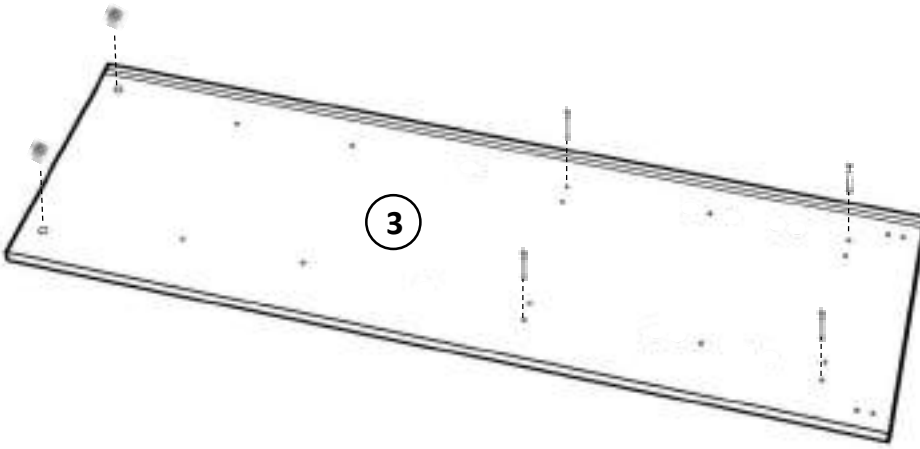
J	ALLEN BOLT 6 X 25		3 PCS
K	ALLEN KEY M4		1 PCS
L	CONNECTOR		4 PCS





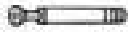
6x40 MM BOLTS INSTALLATION AS BELOW



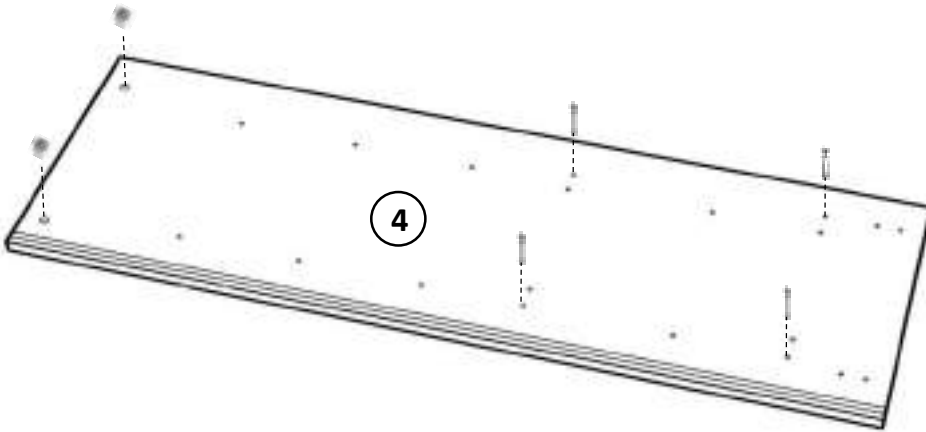
1






• SCREWS

A1	 Ø 15 MM	
		X 2
A2	6 X 40 MM	
		X 4

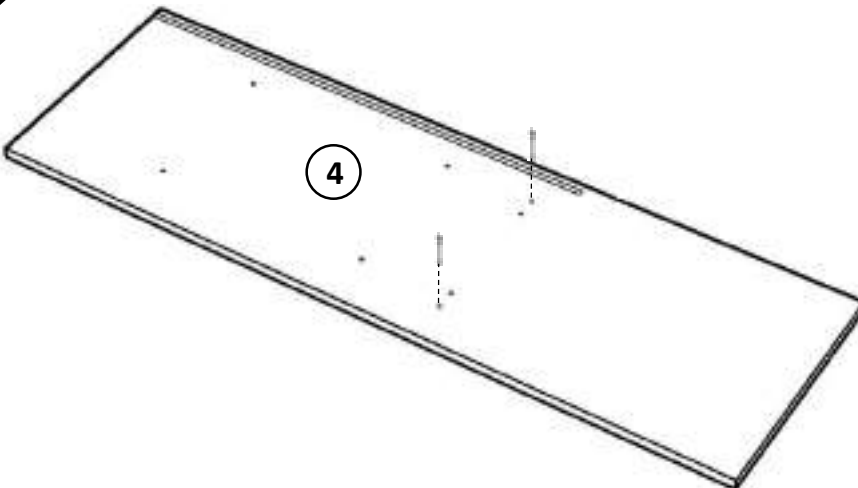
2





• SCREWS

A1	 Ø 15 MM	
		X 2
A2	6 X 40 MM	
		X 4

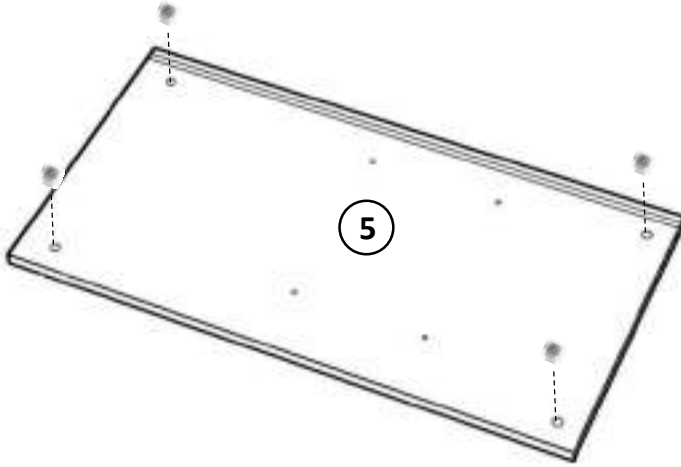
3



• SCREWS

A2	6 X 40 MM	
		X 2

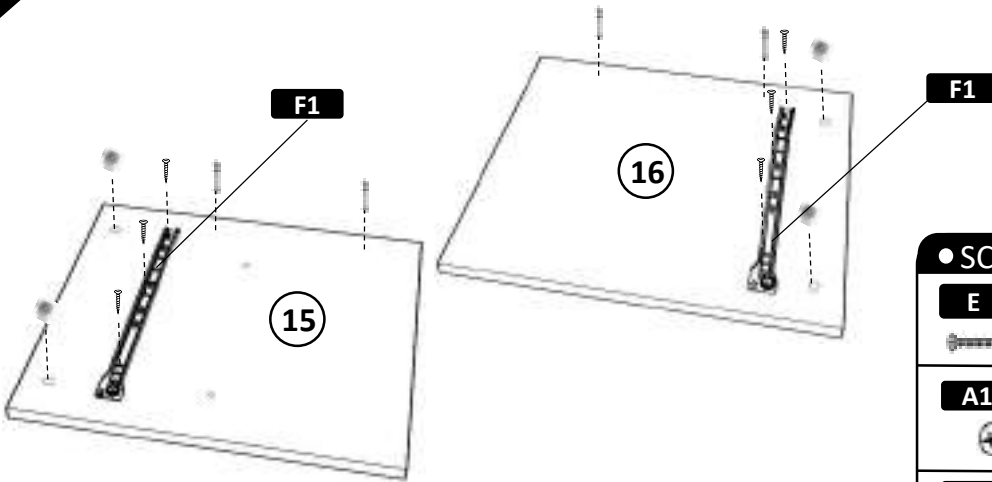
4




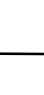

● SCREWS

A1	Ø 15 MM	
	X 4	

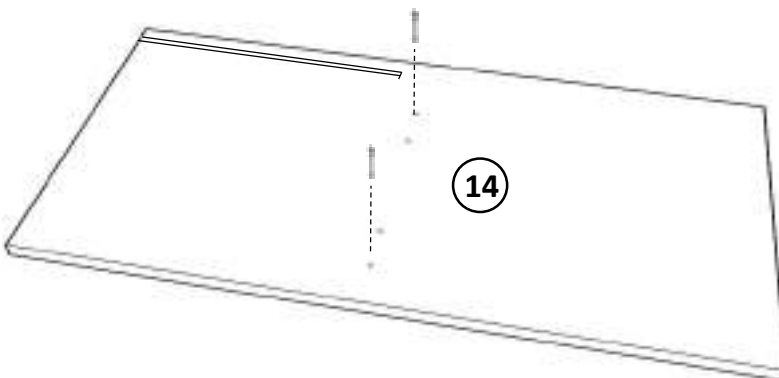
5




● SCREWS

E	5 x 13 MM	
	X 6	
A1	Ø 15 MM	
	X 4	
A2	6 X 40 MM	
	X 4	

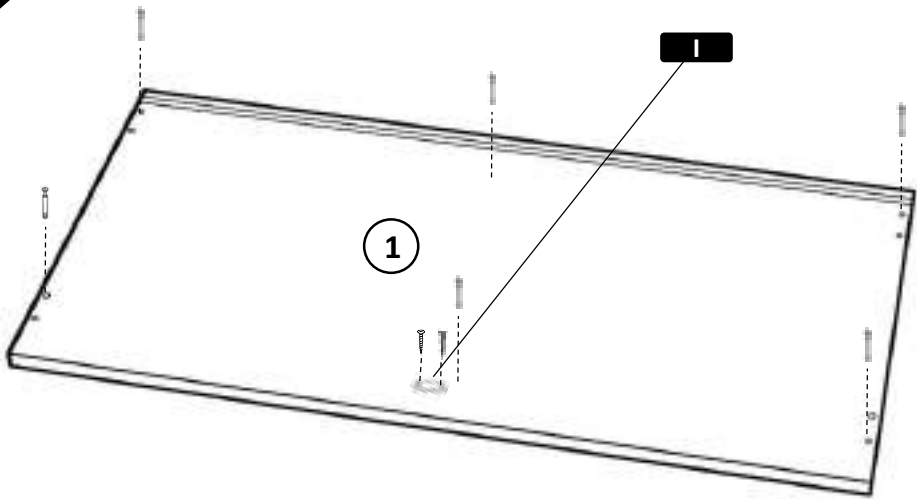
6







● SCREWS

A2	6 X 40 MM	
	X 2	

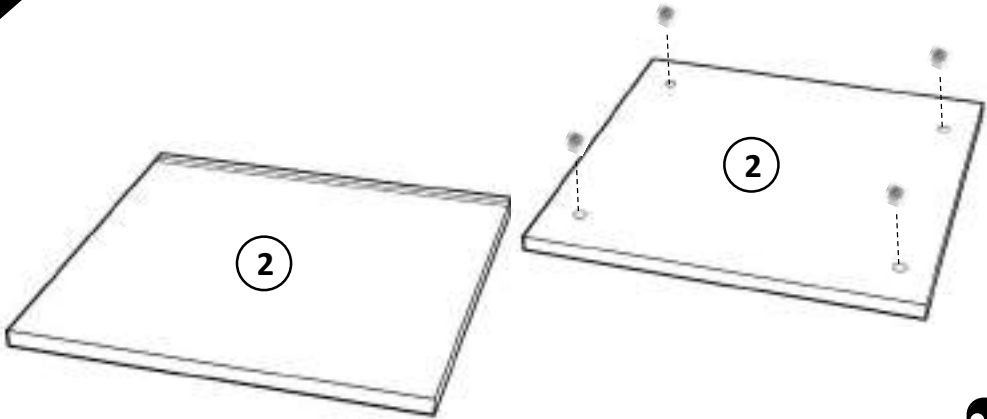
7



• SCREWS

A2	6 X 40 MM	
	X 6	
D	8 x 16 MM	
	X 2	

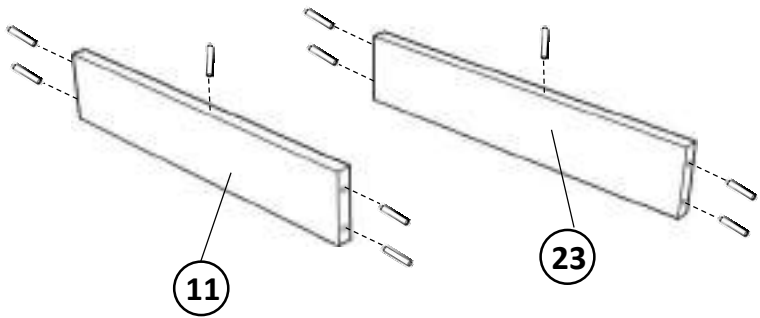
8



• SCREWS

A1	∅ 15 MM	
	X 4	

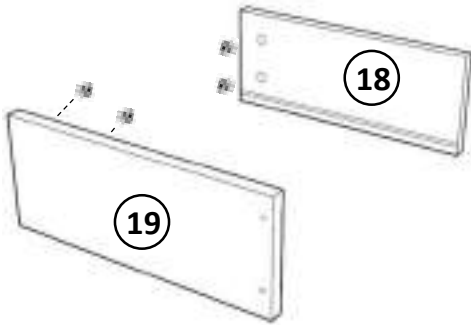
9



• SCREWS

B	8 X 40 MM	
	X 10	

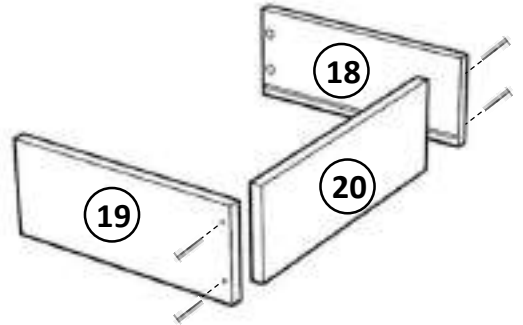
10



• SCREWS

A1 \varnothing 15 MM
X 4

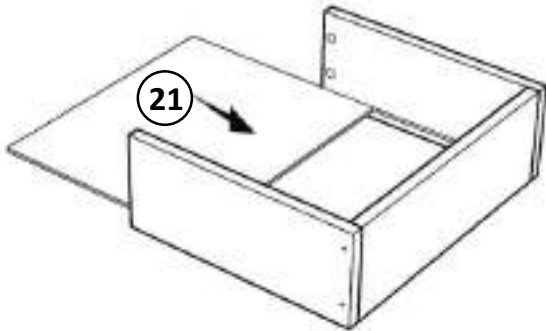
11



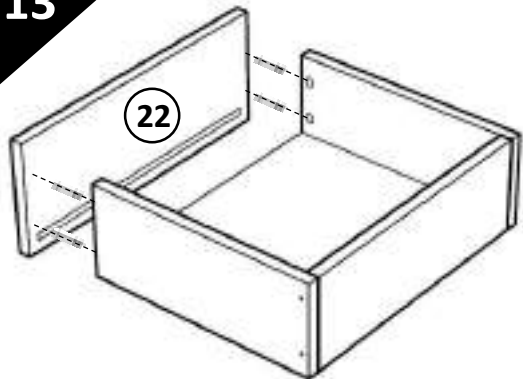
• SCREWS

C 6 x 32 MM
X 4

12



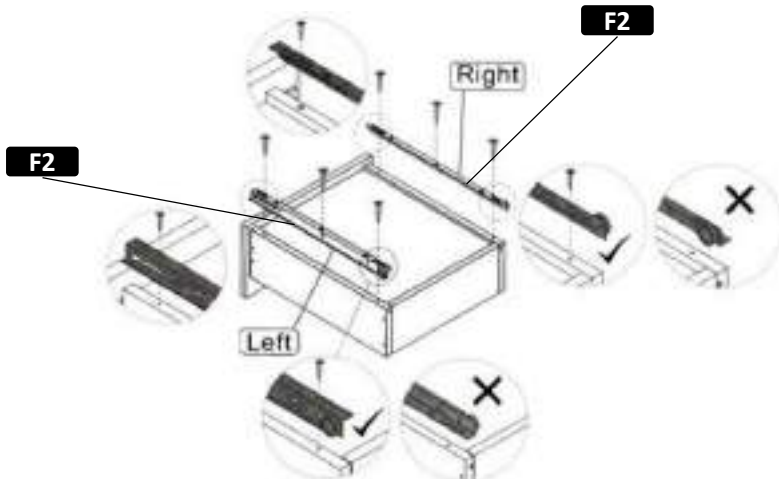
13



• SCREWS

A2 6 X 40 MM
X 4

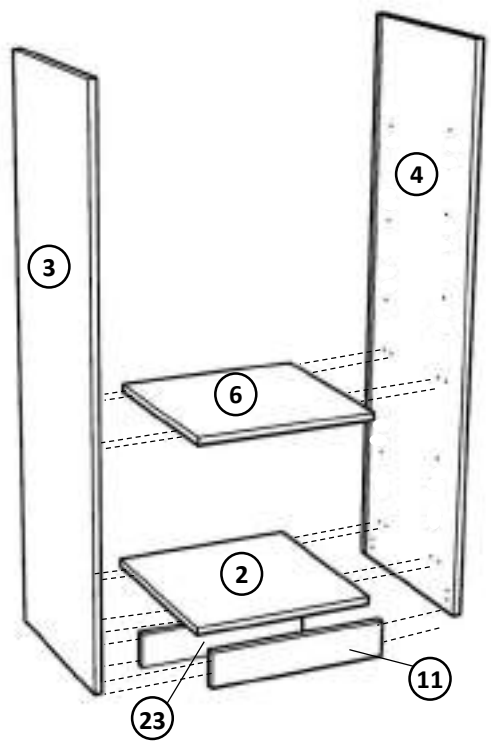
14



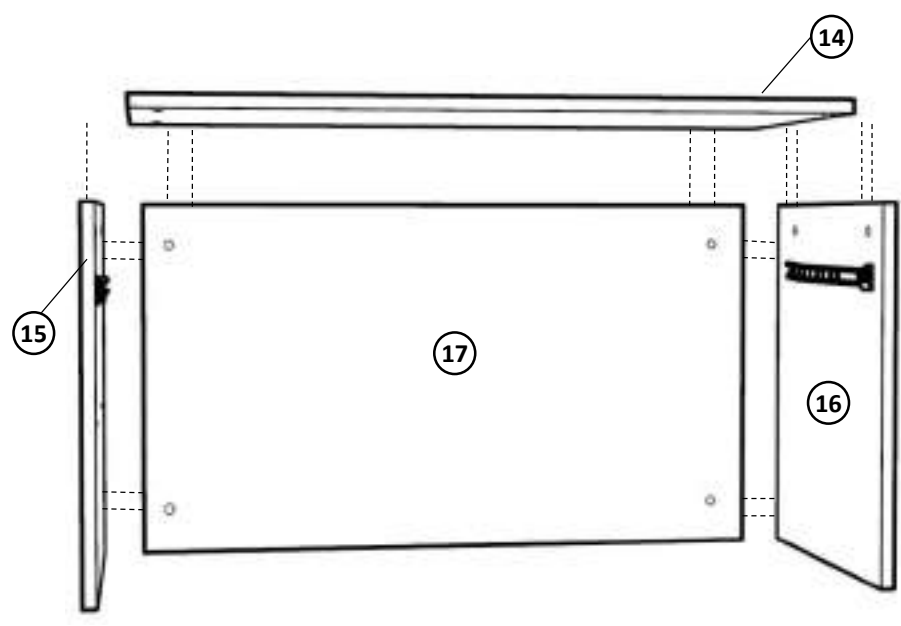
• SCREWS

E 5 x 13 MM
X 6

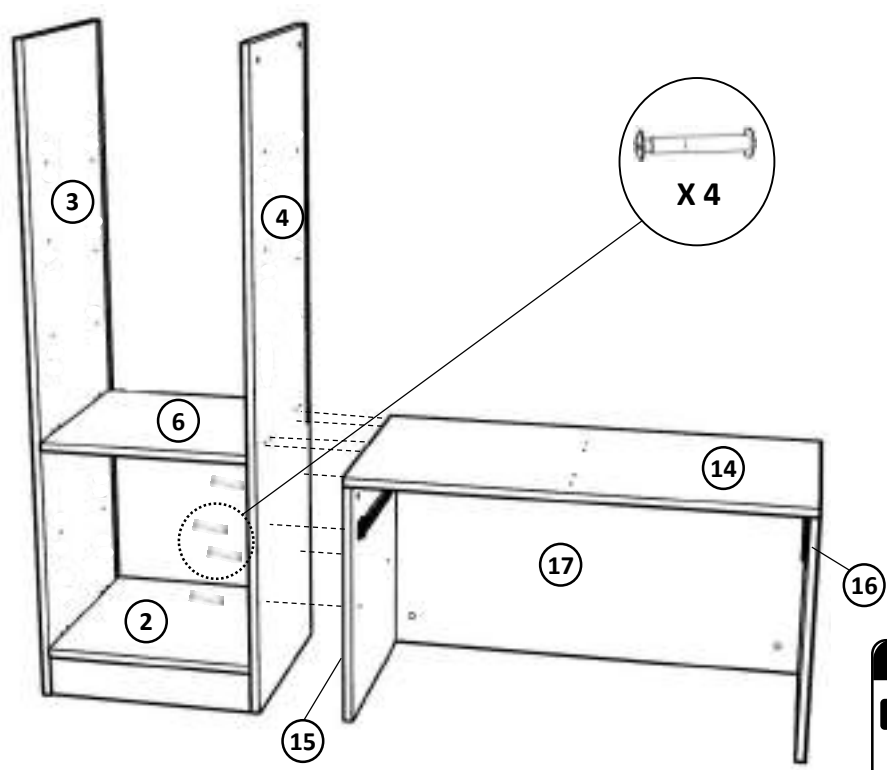
15



16



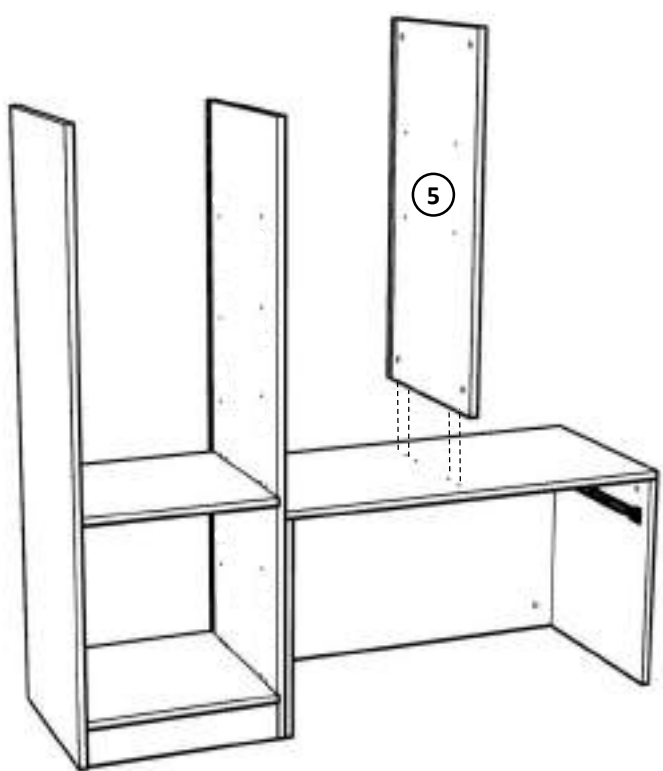
17



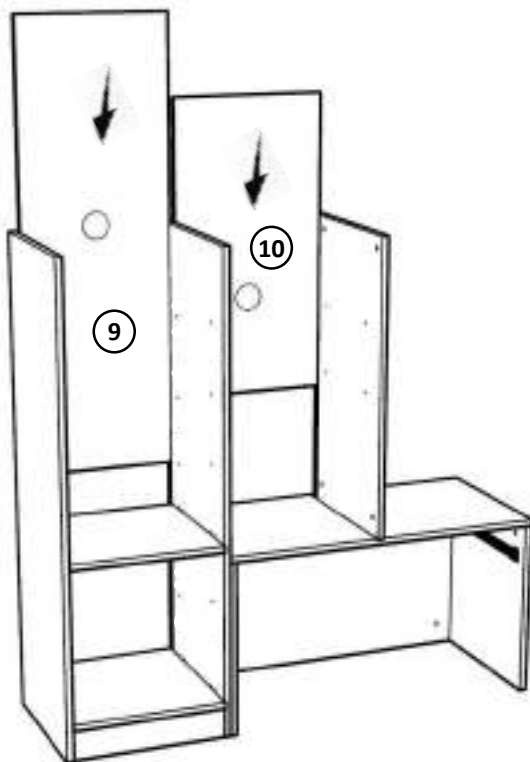
• SCREWS

L CONNECTOR X 4

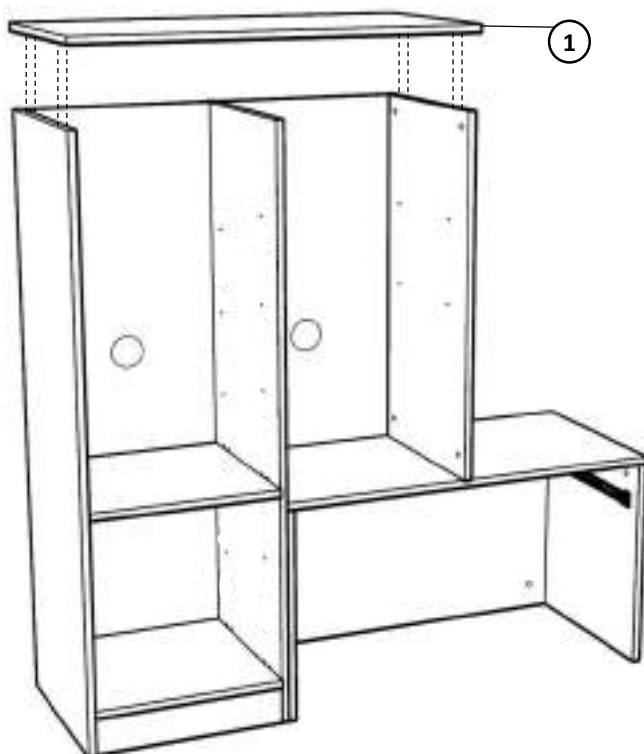
18



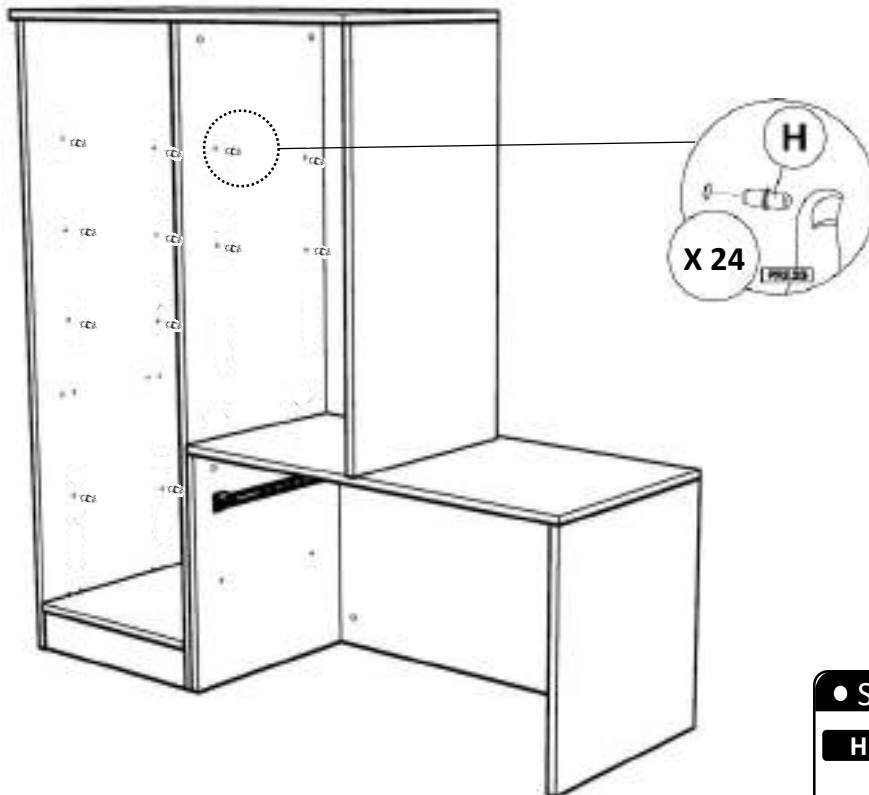
19



20

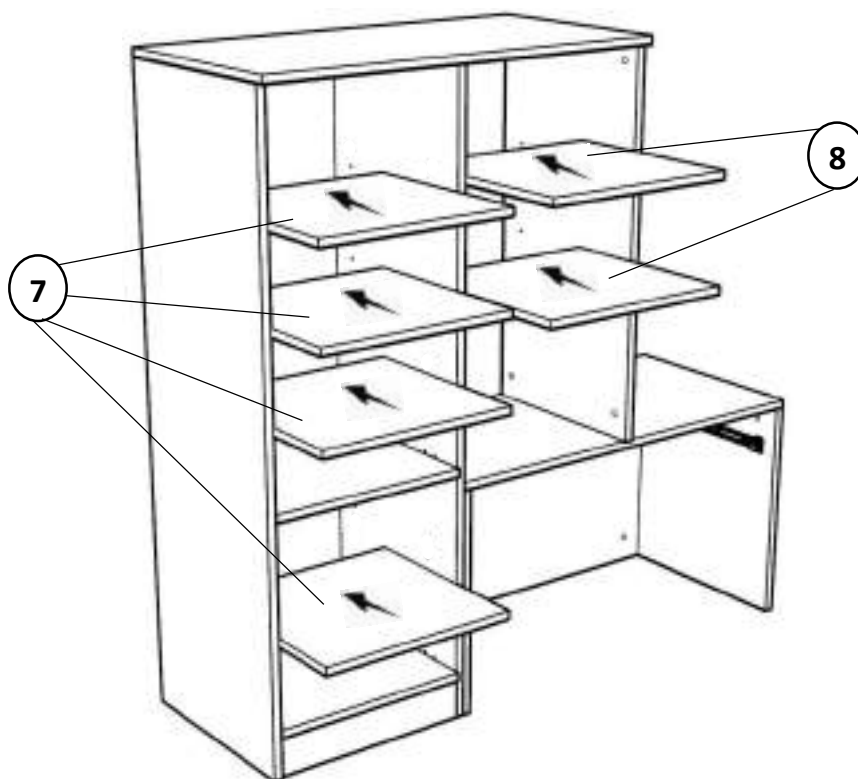


21

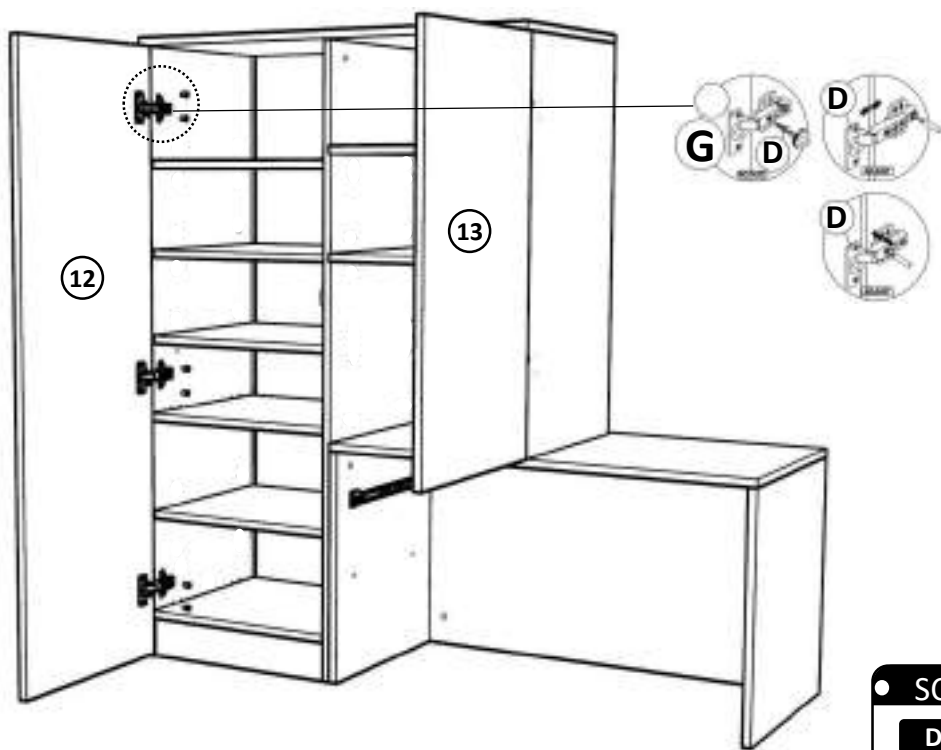


- SCREWS
- H** SHELF PIN
-  X 24

22




23

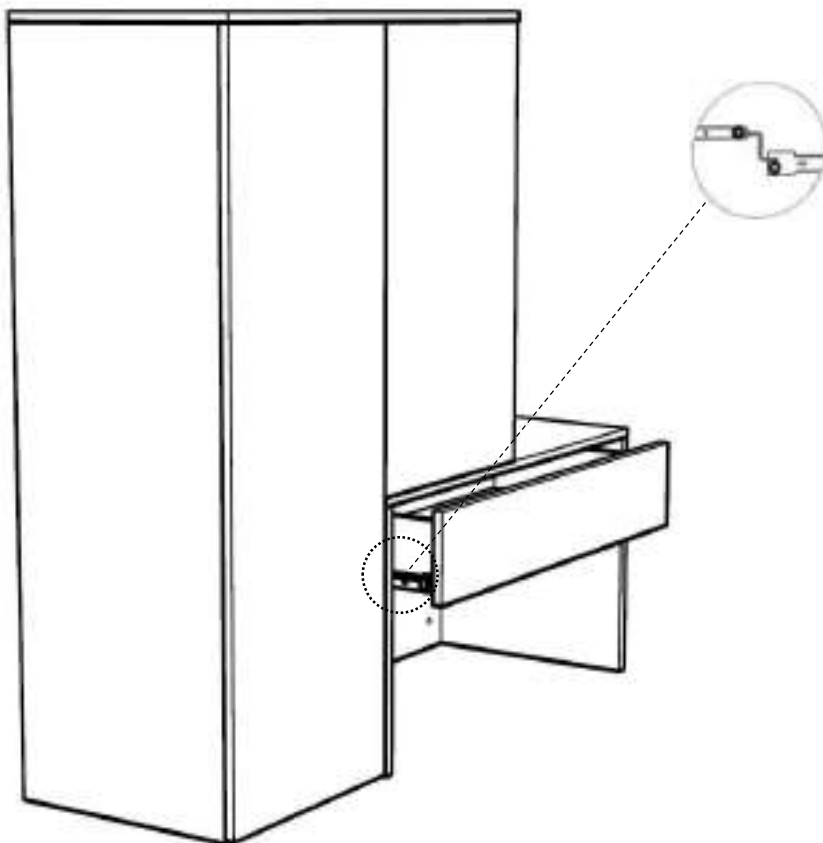


● SCREWS

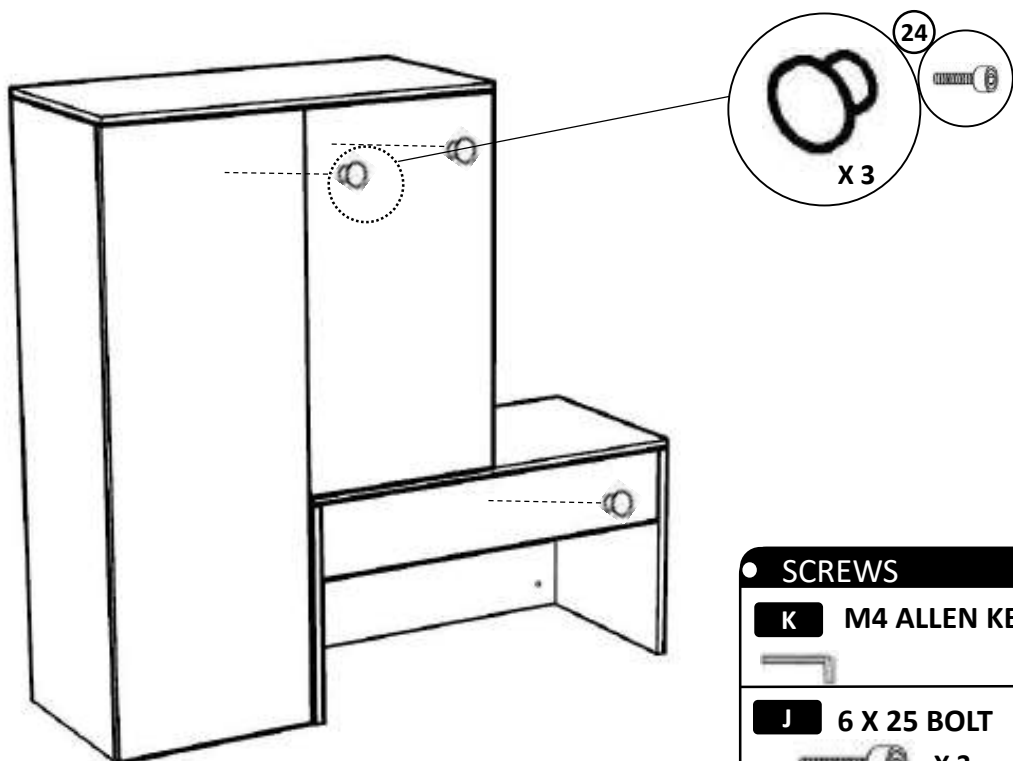
D 8 x 16 MM

 X 30

24

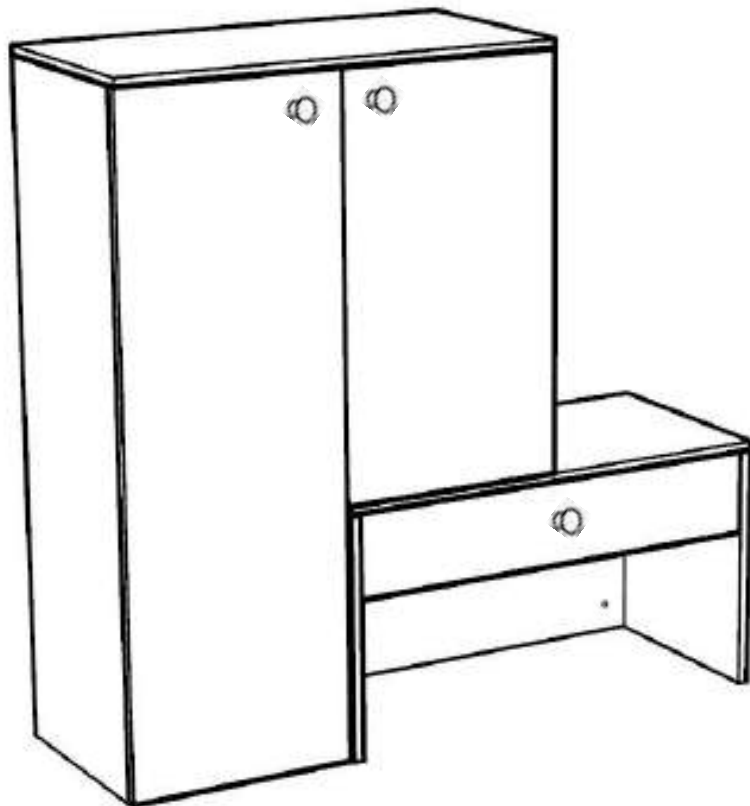


25



- **SCREWS**
- K** M4 ALLEN KEY
- J** 6 X 25 BOLT X 3


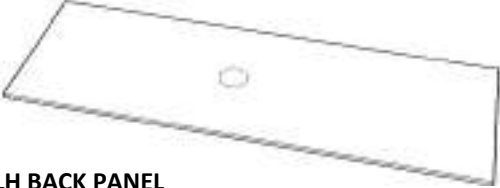



CONGRATULATIONS!!!



Material check list

PART 12	LH SHUTTER	1	PART 19	RH DR. SIDE	1
PART 3	SIDE LH	1	PART 17	MODESTY	1
PART 4	CV	1	PART 13	RH SHUTTER	1
PART 2	BOTTOM PANEL	1	PART 23	BACK SKIRTING	1
PART 14	RH TOP	1	PART 11	FRONT SKIRTING	1
PART 22	FACIA	1	PART 20	DR. BACK	1
PART 8	RH ADJ. SHELF	2	Hardware, Channels & Hinges		
PART 5	SIDE RH	1	PART 7	LH ADJ. SHELF	2
PART 1	TOP PANEL	1	PART 6	FIXED PANEL	1
			PART 16	SMALL SIDE RH	1
			PART 15	SMALL SIDE LH	1

Material check list

PART 21	 DR. BOTTOM	1
PART 9	 LH BACK PANEL	1
PART 10	 RH BACK PANEL	1
PART 7	 LH ADJ. SHELF	2
PART 18	 LH DR. SIDE	1

GUDSMITH