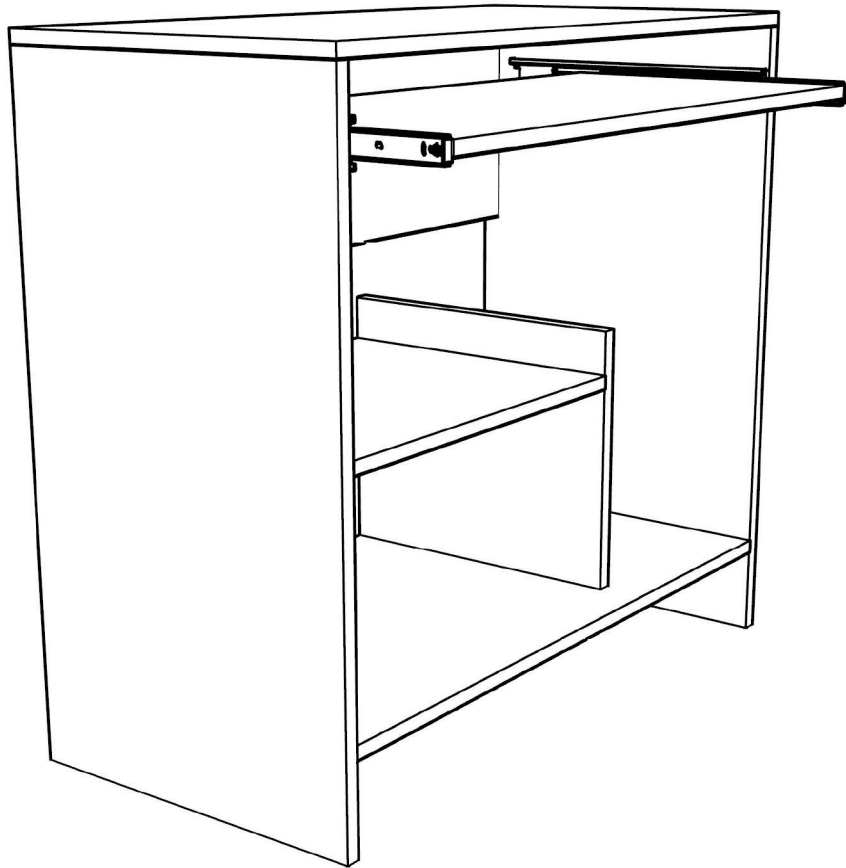


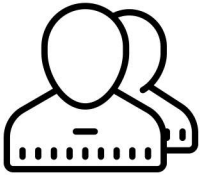
GUDSMITH

D 1

Reading Table



Assembly Instructions



TWO PEOPLE REQUIRED

Thank you for purchasing one of our products.

Please read the assembly instructions carefully before installation.

(Attention: Do not tighten the screws before all of them are in place).

General Care:–

- Keep your furniture out on direct sunlight.
- Use desk press and coasters to protect the surface from dents, scratches and moisture from hot and cold liquids.
- Secure this furniture to the wall using tip over restraints.

Cleaning:–

- For cleaning, wipe surface with a damp (not with) cloth or dry wipe with a lint free cotton cloth.


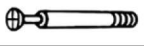
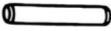



***Warning**

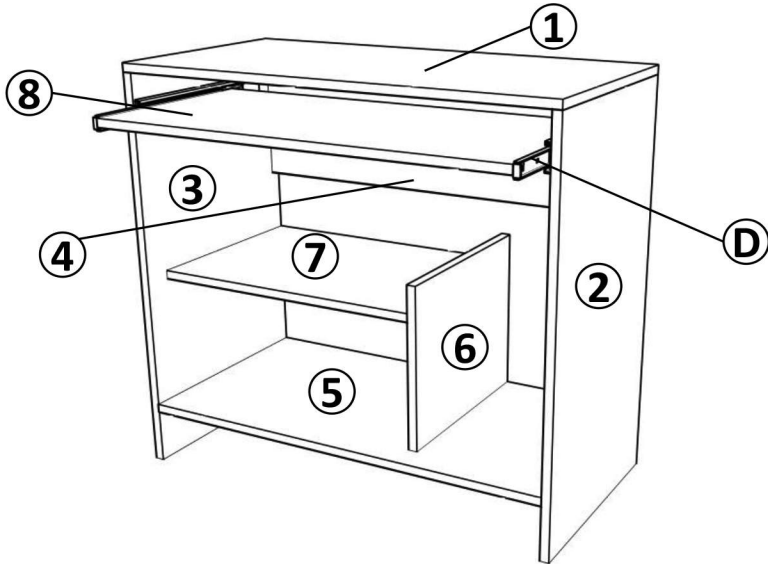
Any damage incurred while assembling the product isn't covered under warranty

● PARTS LIST

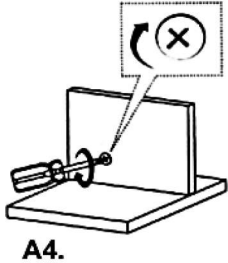
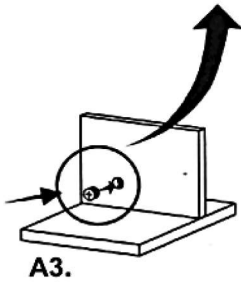
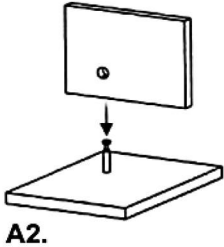
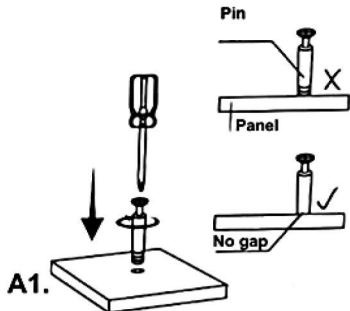
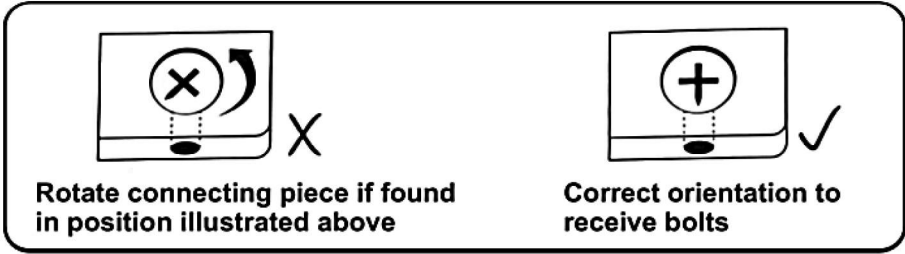
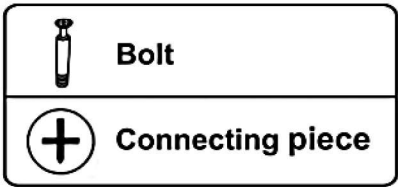
1	TOP PANEL	1
2	RH SIDE	1
3	LH SIDE	1
4	MODESTY	1
5	BOTTOM	1
6	CV	1
7	LH FIXED SHELF	1
8	KEY BOARD TRAY	1

● SCREW LIST

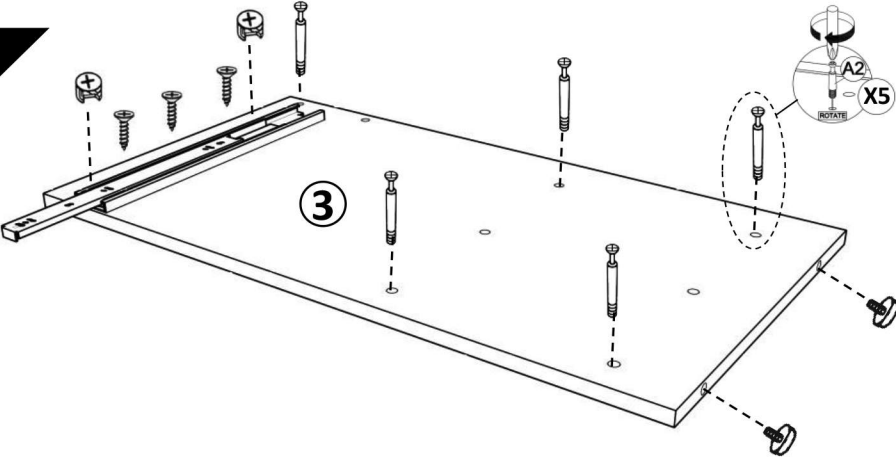
HARDWARE					
A	MINIFIX A1		A2		19
B	DOWEL				7
C	LEVLER				4
D	TELESCOPIC CHANNEL				1
E	SCREW 5X13				12



6x40 MM BOLTS INSTALLATION AS BELOW



1



● SCREW LIST

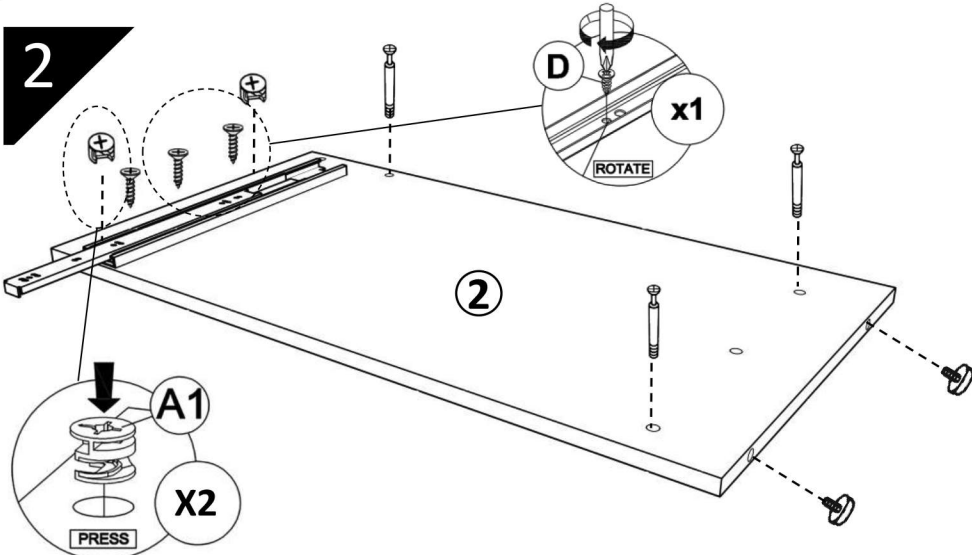
A2 6 X 40 MM X5

A1 8 X 40 MM X2

C 10MM X2

E 5 X 13 MM X6

2



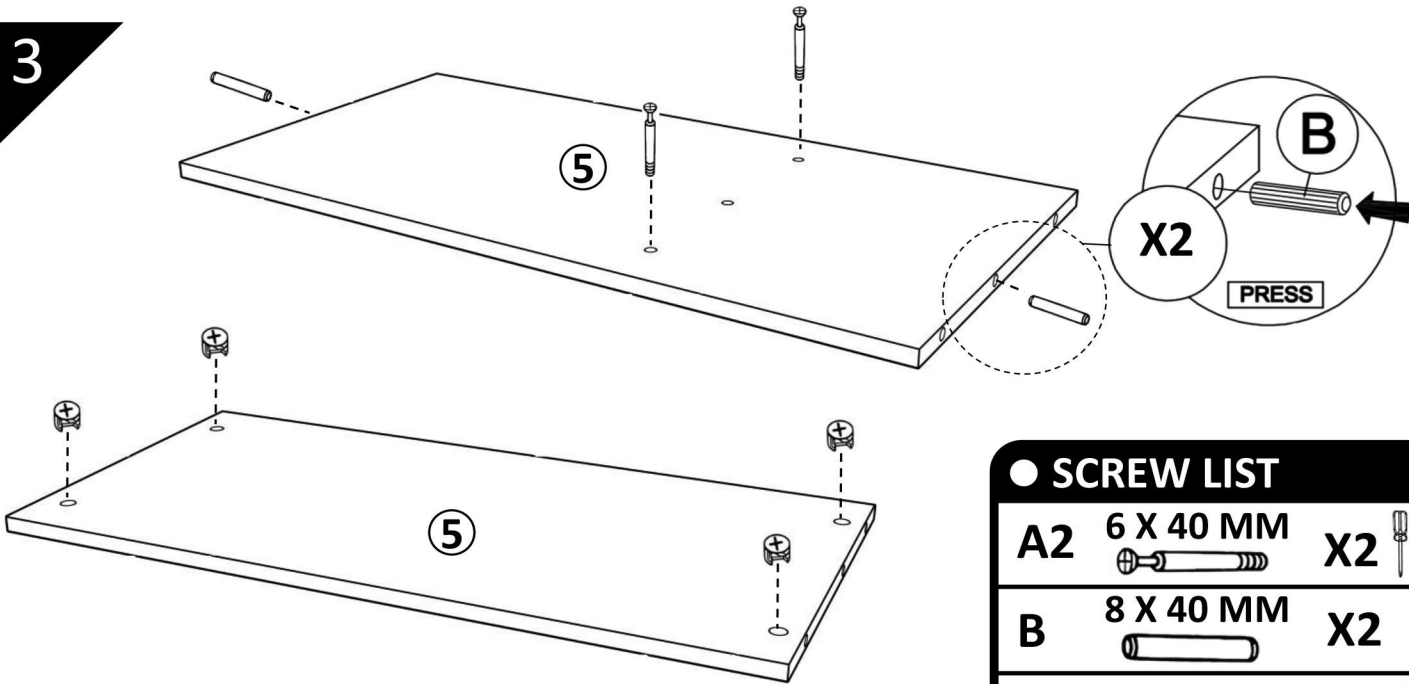
● SCREW LIST

A2 6 X 40 MM X3

A1 8 X 40 MM X2

C 10MM X2

3



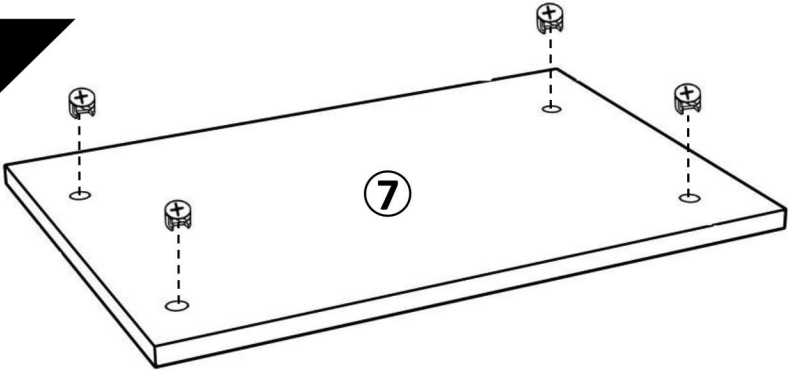
● SCREW LIST

A2 6 X 40 MM X2

B 8 X 40 MM X2

A1 8 X 40 MM X4

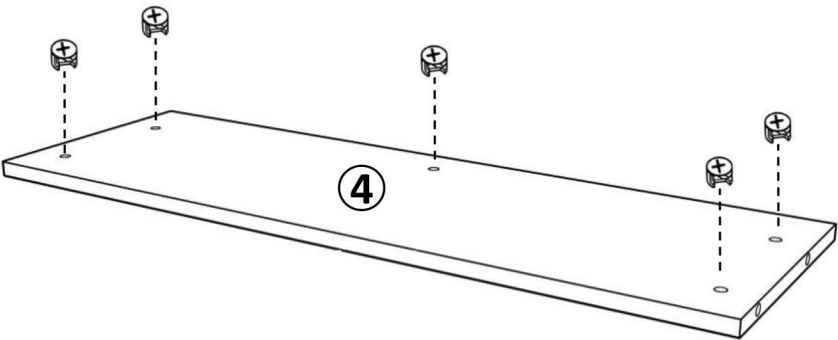
4



● SCREW LIST

A1	8 X 40 MM	X8	
			

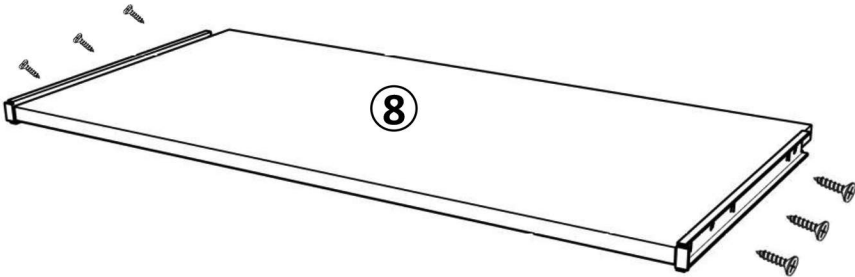
5



● SCREW LIST

A1	8 X 40 MM	X8	
			

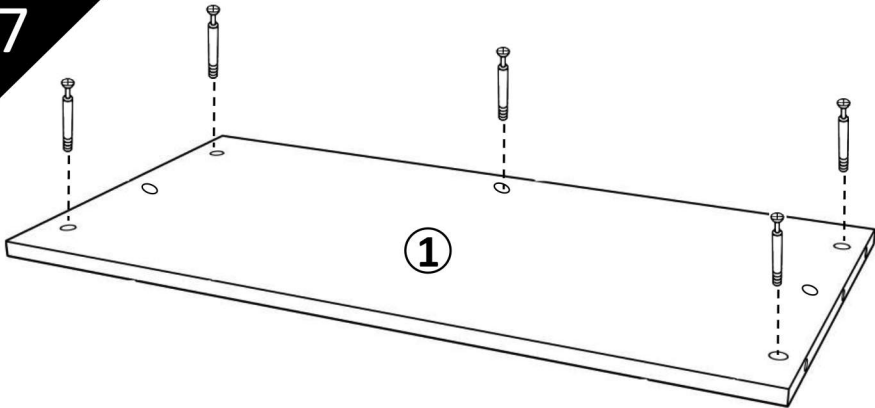
6




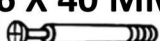

● SCREW LIST

E	5 X 13 MM	X6	
			

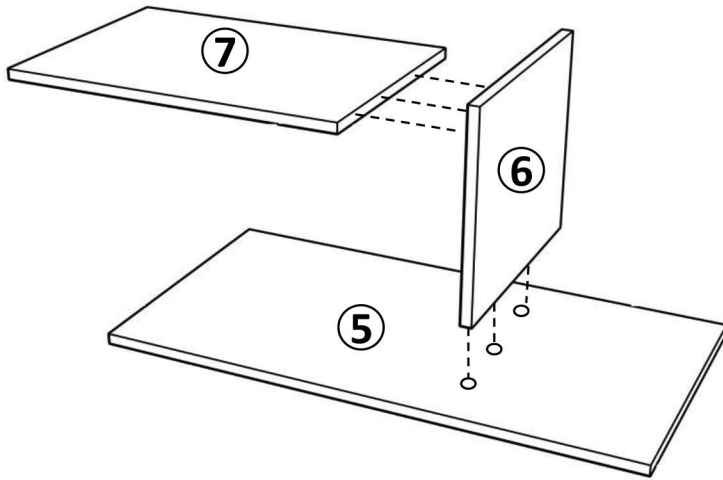
7




● SCREW LIST

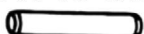
A2	6 X 40 MM	X5	
			
B	8 X 40 MM	X2	

8



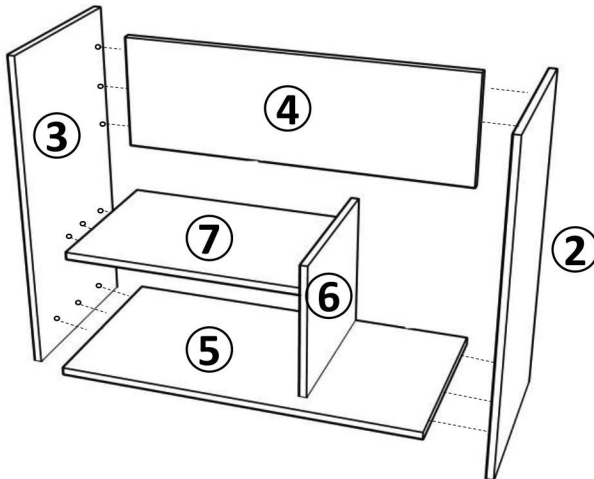
● SCREW LIST

A2 6 X 40 MM X4 


B 8 X 40 MM X2 


A1 8 X 40 MM X4 

9



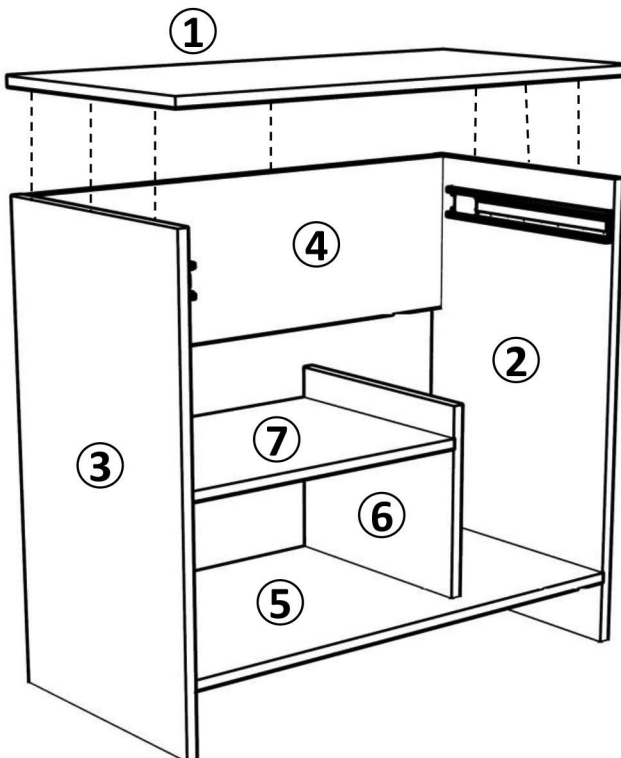
● SCREW LIST

A2 6 X 40 MM X10 


B 8 X 40 MM X5 


A1 8 X 40 MM X10 

10



● SCREW LIST

A2 6 X 40 MM X5 

B 8 X 40 MM X2 

A1 8 X 40 MM X5 









11



CONGRATULATIONS!!!



Material check list-D1

PART NO	COMPONENT	QTY	QC
1	TOP PANEL 	1	
2	RH SIDE PANEL 	1	
3	LH SIDE PANEL 	1	
4	MODESTY 	1	
5	BOTTOM PANEL 	1	
6	CV 	1	
7	LH FIXED SHELF 	1	
8	KEY BOARD TRAY 	1	

