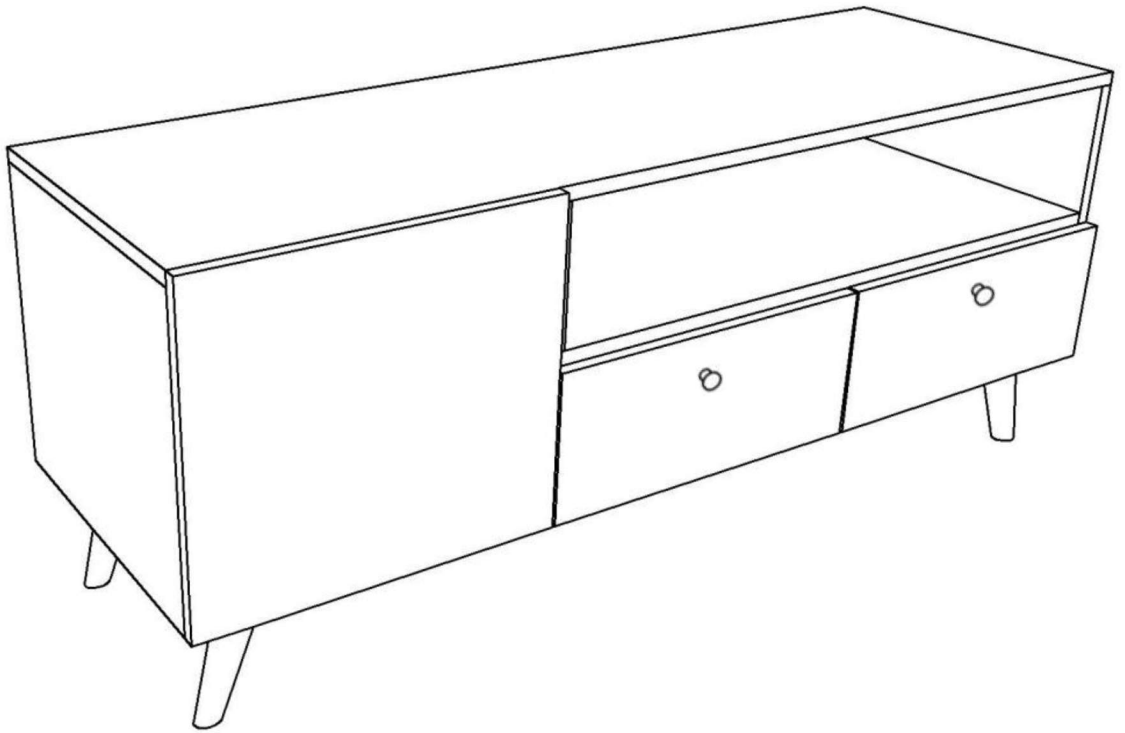


**GUDSMITH**

# TV 2

Television Unit



Assembly Instructions



TWO PEOPLE REQUIRED

Thank you for purchasing one of our products.

Please read the assembly instructions carefully before installation.

(Attention: Do not tighten the screws before all of them are in place).

**General Care:–**

- Keep your furniture out on direct sunlight.
- Use desk press and coasters to protect the surface from dents, scratches and moisture from hot and cold liquids.
- Secure this furniture to the wall using tip over restraints.

**Cleaning:–**

- For cleaning, wipe surface with a damp (not with) cloth or dry wipe with a lint free cotton cloth.


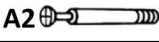







**\*Warning**

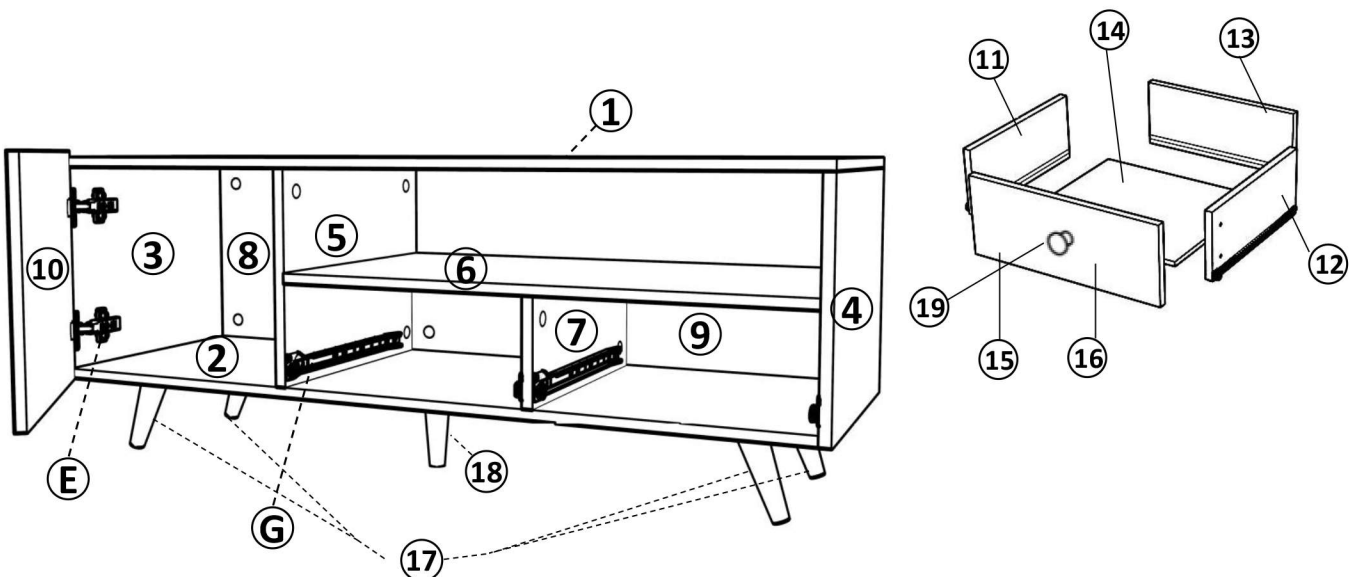
**Any damage incurred while assembling the product isn't covered under warranty**

### ● PARTS LIST

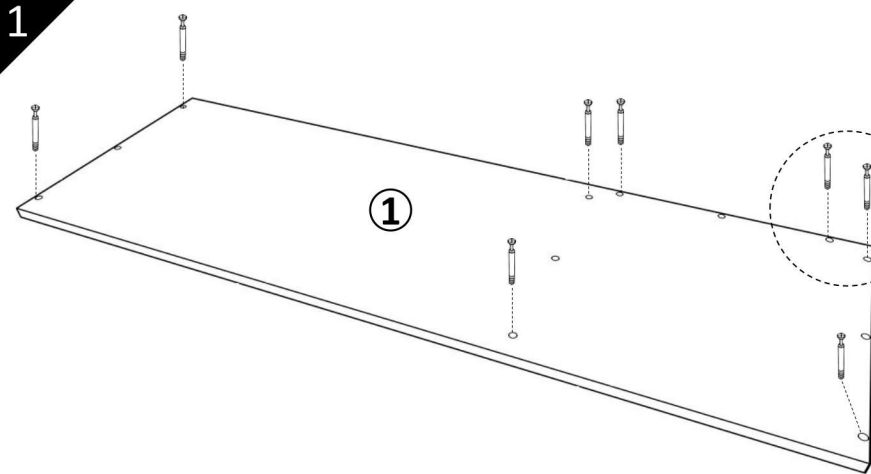
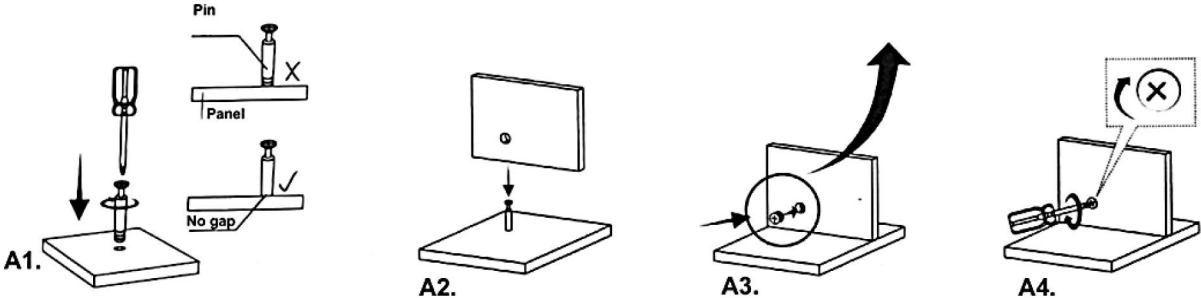
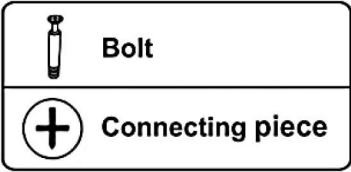
1	TOP PANEL	1
2	BOTTOM PANEL	1
3	SIDE LH	1
4	SIDE RH	1
5	LH CV	1
6	FIXED SHELF	1
7	RH CV	1
8	LH BACK PANEL	1
9	RH BACK PANEL	1
10	SHUTTER	1
11	LH DRAWER SIDES	2
12	RH DRAWER SIDES	2
13	DRAWER BACK	2
14	BOTTOM	2
15	LH FACIA	1
16	RH FACIA	1
17	WOODEN ANGLE LEGS	4
18	WOODEN STRIGHT LEGS	1
19	WOODEN KNOBS	2

### ● SCREW LIST

HARDWARE			
A	MINIFIX A1 	A2 	36 PC
B	DOWEL 		12 PC
C	SCREWS 8X16 		20 PC
D	SCREWS 5X13 		24 PC
E	SCREWS 6X32 		18 PC
F	O* CRANK SOFT CLOSE HINGS 		1 SETS
G	HANDLE SCREW 4X25 		2 PC
H	BTM DRAWER CHANNEL 	H1 (L/R) H2 (L/R)	2 SETS
I	METAL PALTE 		5 PC

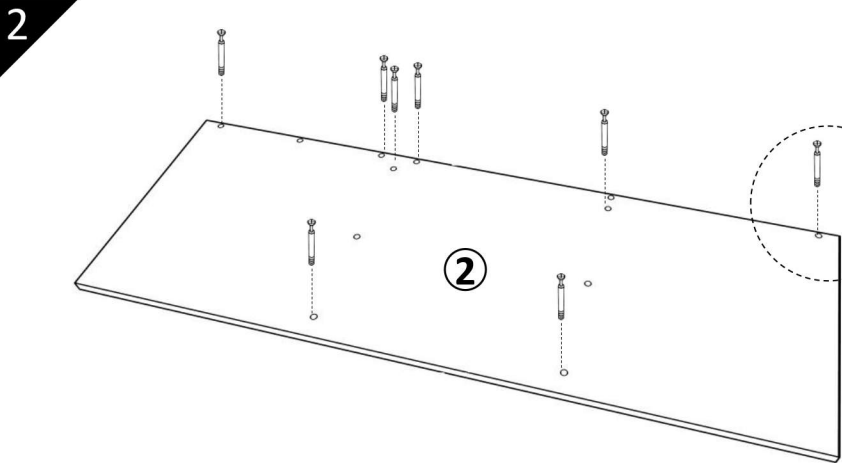


### 6x40 MM BOLTS INSTALLATION AS BELOW



**• SCREW LIST**

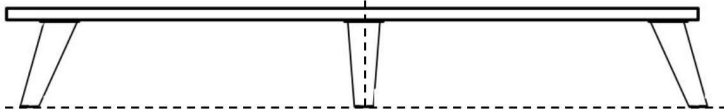
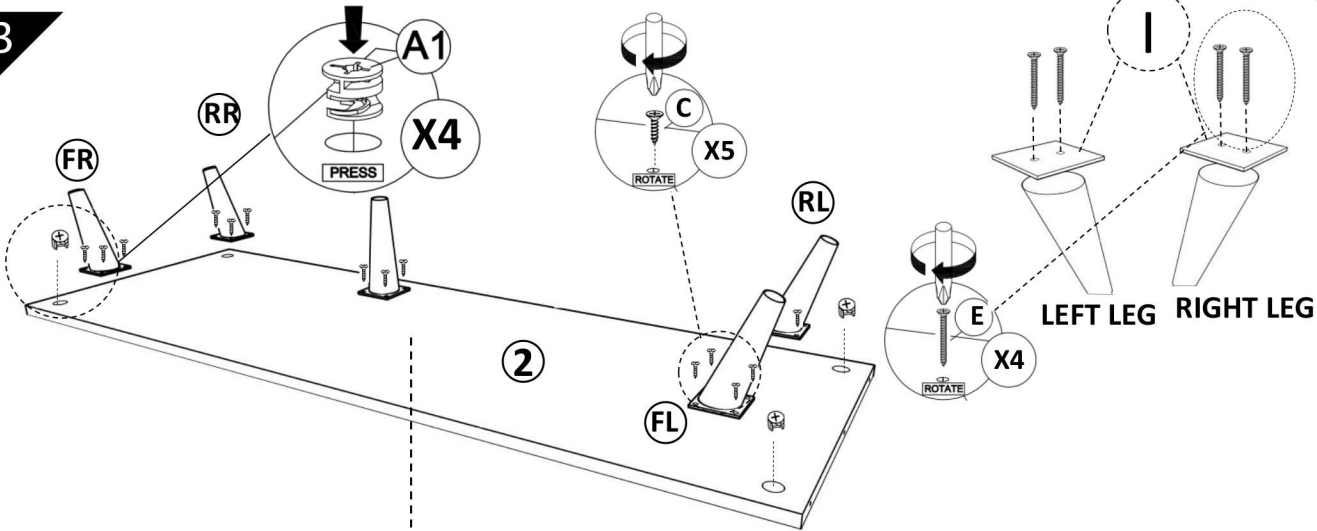
**A2 6 X 40 MM X8**



**• SCREW LIST**

**A2 6 X 40 MM X8**

3



← CHECK & ALIGN FLOOR LEVEL →  
 FRONT & REAR LEFT                      FRONT & REAR RIGHT

### • SCREW LIST

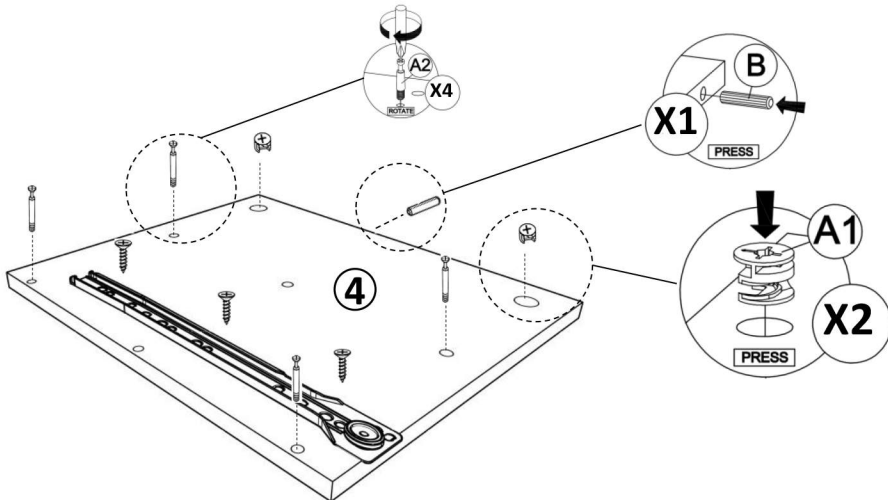
**C** 8 X 16 MM X5

### • SCREW LIST

**A1** 8 X 40 MM X4

**C** 8 X 16 MM X20

4



### • SCREW LIST

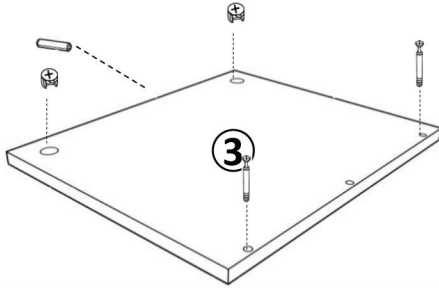
**A1** 8 X 40 MM X2

**A2** 6 X 40 MM X4



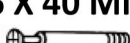

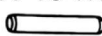
**B** 8 X 40 MM X1

**D** 5 X 13 MM X3

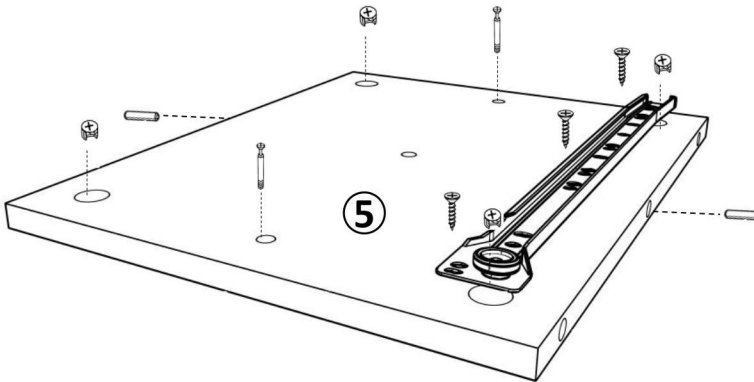
5





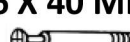

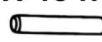


### • SCREW LIST

A1	8 X 40 MM	X2		
A2	6 X 40 MM	X2		
B	8 X 40 MM	X1		

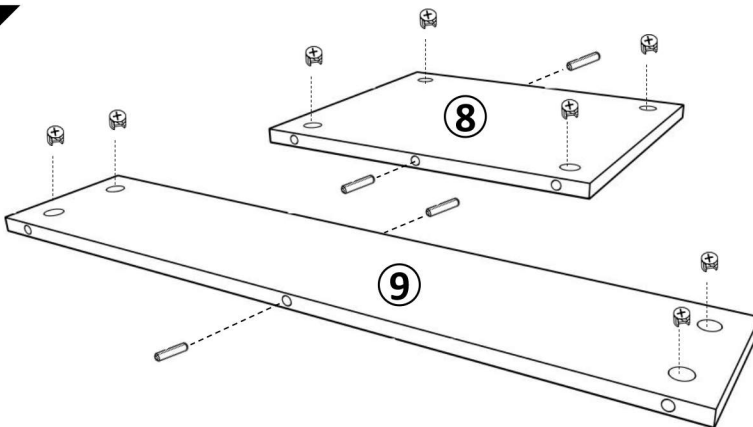
6





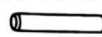
### • SCREW LIST

A1	8 X 40 MM	X4		
A2	6 X 40 MM	X2		
B	8 X 40 MM	X2		
D	5 X 13 MM	X3		

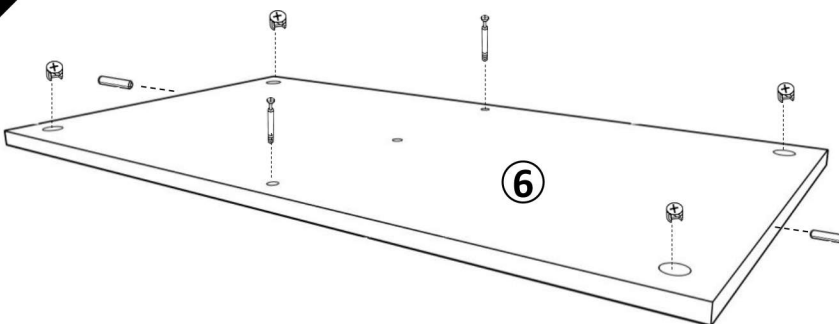
7





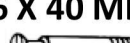

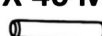
### • SCREW LIST

A1	8 X 40 MM	X8		
B	8 X 40 MM	X4		

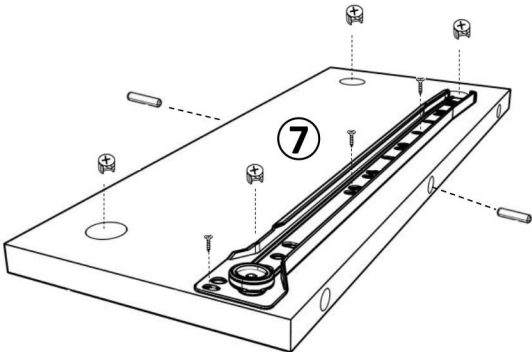
8



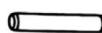


### • SCREW LIST

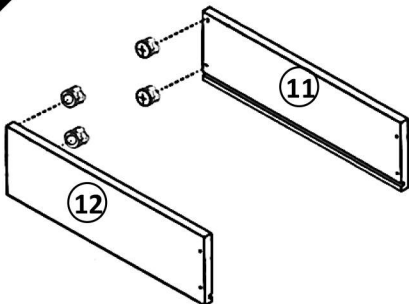
A1	8 X 40 MM	X4		
A2	6 X 40 MM	X2		
B	8 X 40 MM	X2		

9



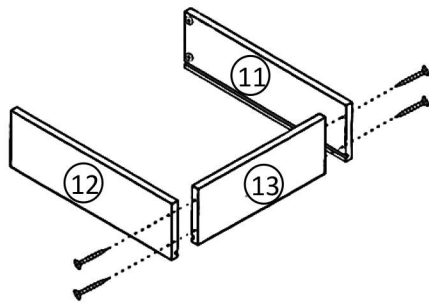
• SCREW LIST			
A1	8 X 40 MM	X4	
D	5 X 13 MM	X3	
B	8 X 40 MM	X2	

10



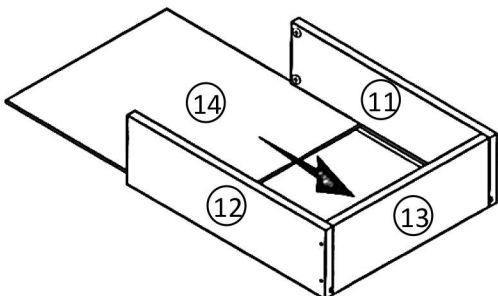
• SCREW LIST			
A1	8 X 40 MM	X4	

11

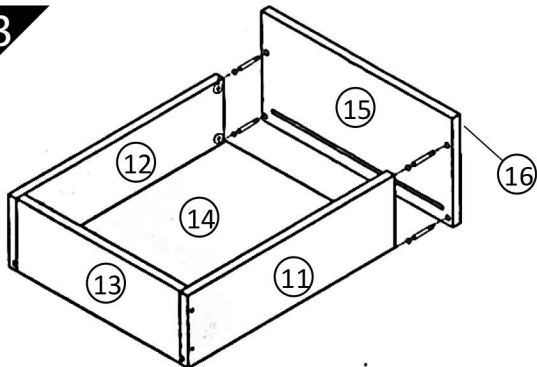


• SCREW LIST			
E	6 X 32 MM	X4	

12

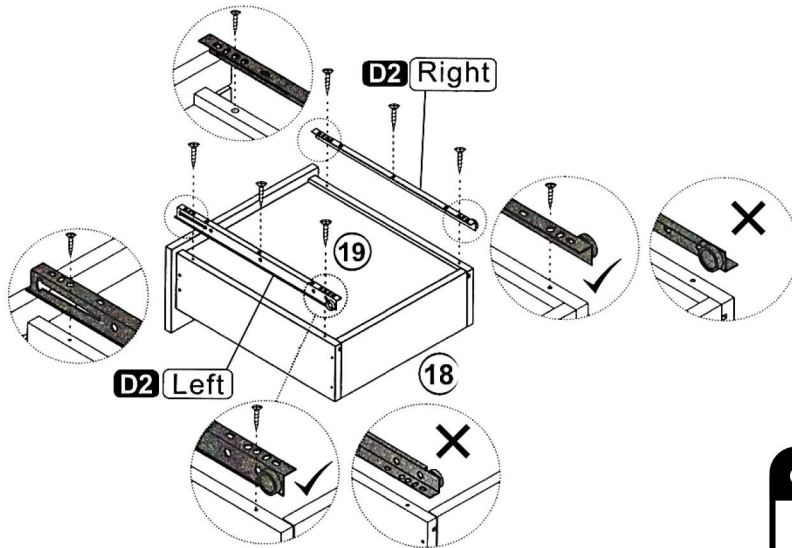


13



• SCREW LIST			
A2	6 X 40 MM	X4	

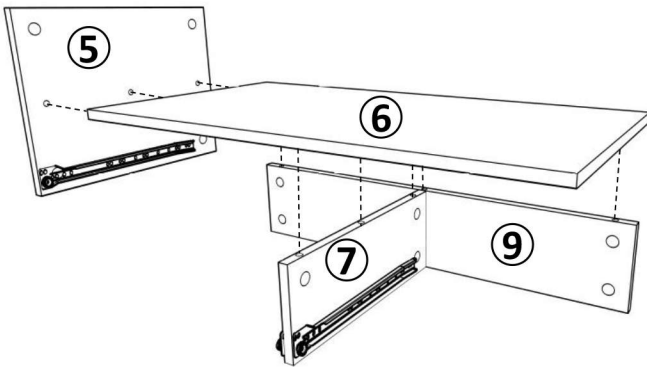
14





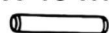
### • SCREW LIST

D	5 X 13 MM	X3	
---	-----------	----	---

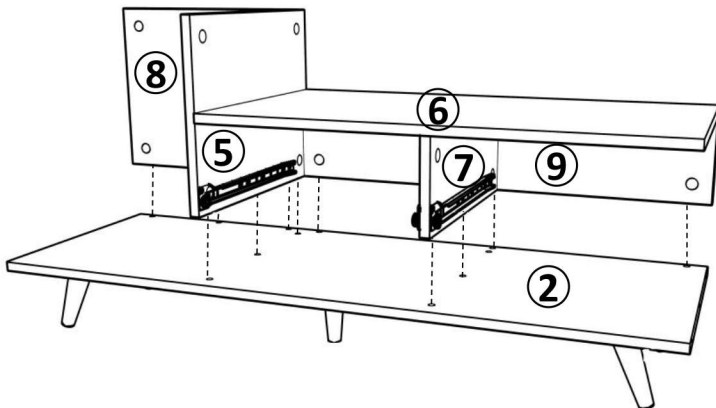
15





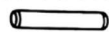
### • SCREW LIST

A1	8 X 40 MM	X8	
A2	6 X 40 MM	X8	
B	8 X 40 MM	X4	

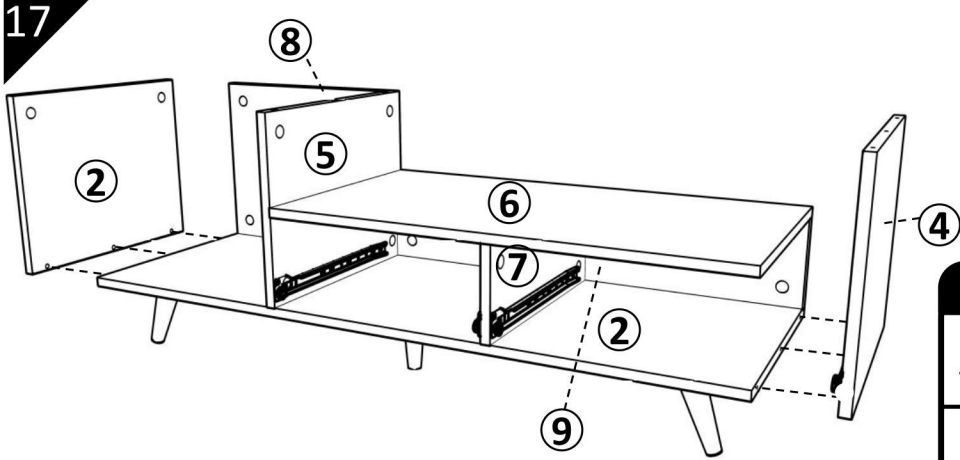
16





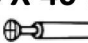

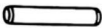
### • SCREW LIST

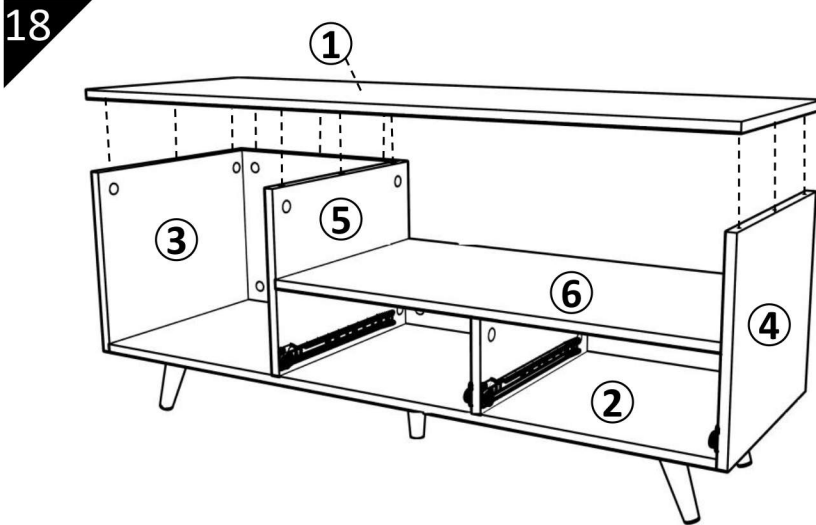
A1	8 X 40 MM	X8	
A2	6 X 40 MM	X8	
B	8 X 40 MM	X4	





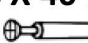

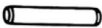


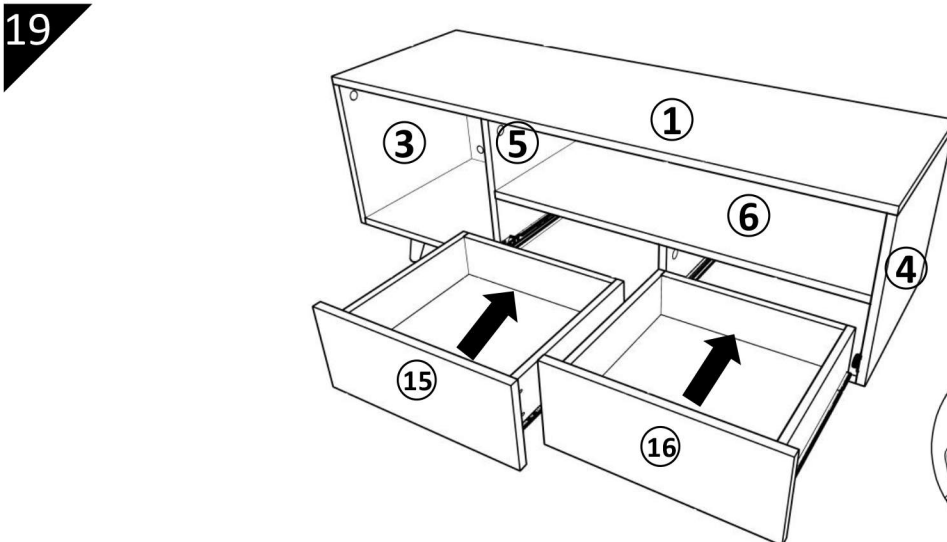
### SCREW LIST

A1	8 X 40 MM 	X4	
A2	6 X 40 MM 	X4	
B	8 X 40 MM 	X2	

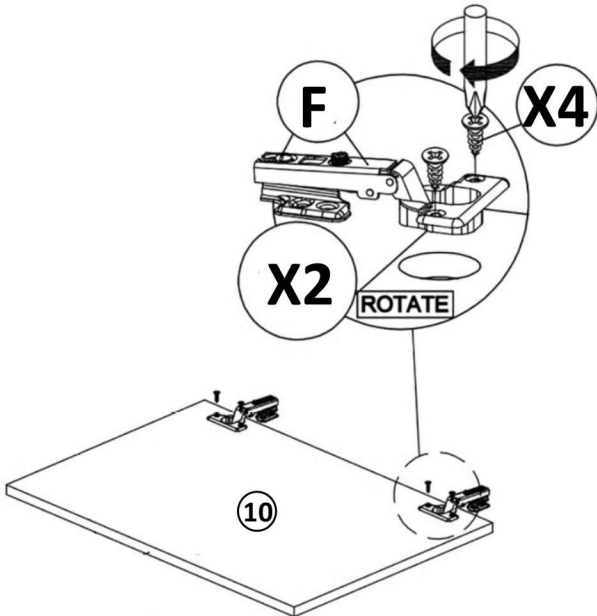


### • SCREW LIST

A1	8 X 40 MM 	X8	
A2	6 X 40 MM 	X8	
B	8 X 40 MM 	X4	



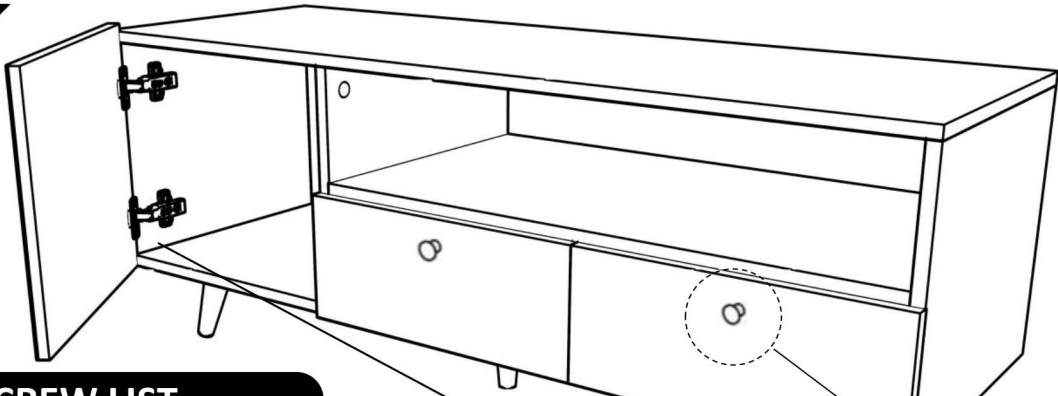
20





• SCREW LIST

C	8 X 16 MM	X4		
---	-----------	----	---	---

21

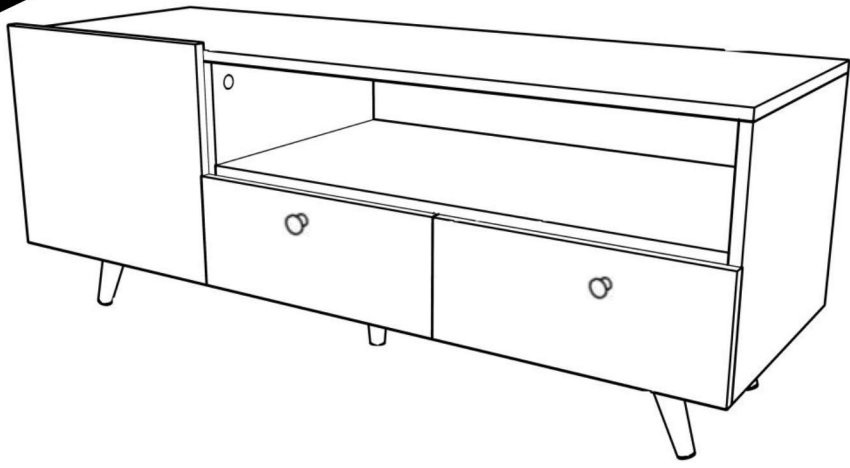


• SCREW LIST

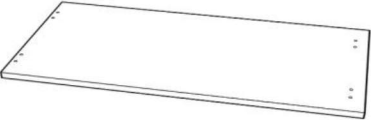

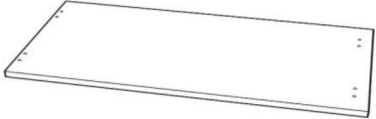
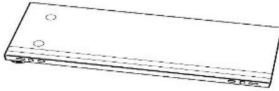
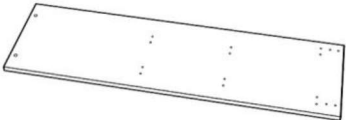
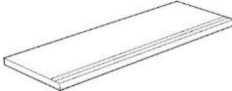
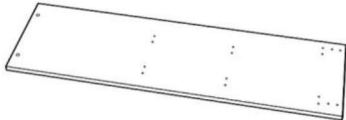
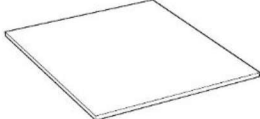
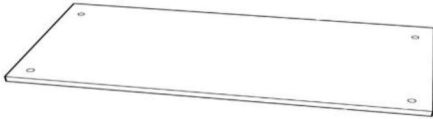
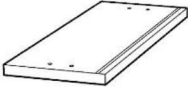
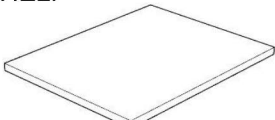
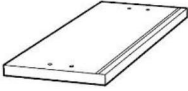
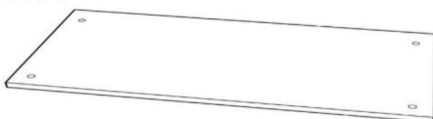

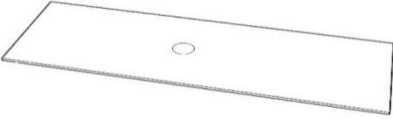

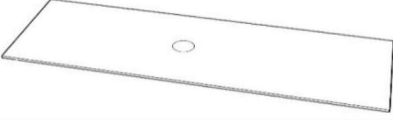

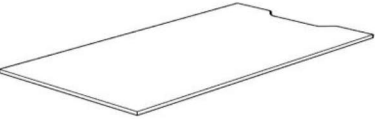
C	8 X 16 MM	X4		
G	6 X 25 MM			



CONGRATULATIONS!!!



## Material check list-TV2

PART - NO	COMPONENT	QTY /QC	PART -NO	COMPONENT	QTY/ QC
1	TOP PANEL 	1	11	LH DRAWER SIDES 	2
2	BOTTOM PANEL 	1	12	RH DRAWER SIDES 	2
3	SIDE LH 	1	13	DRAWER BACK 	2
4	SIDE RH 	1	14	BOTTOM 	2
5	LH CV 	1	15	LH FACIA 	1
6	FIXED SHELF 	1	16	RH FACIA 	1
7	RH CV 	1	17	WOODEN ANGLE LEG 	4
8	LH BACK PANEL 	1	18	WOODEN STRIGHT LEG 	1
9	RH BACK PANEL 	1	19	WOODEN KNOB 	2
10	SHUTTER 	1			

