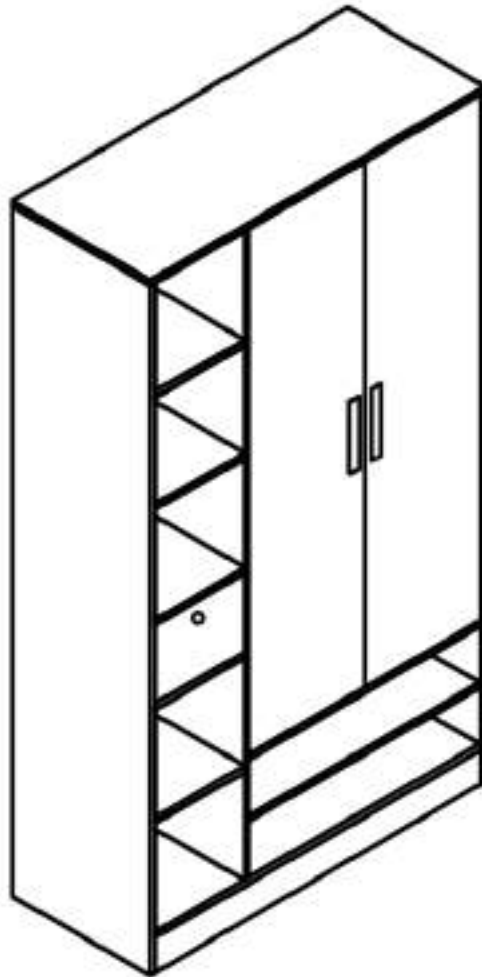


English

W2BS

ASSEMBLY INSTRUCTION

Thanks for purchasing one of our products, please read carefully the assembly instructions before installation (Attention: Do not tighten the screws before all screws are in place).



TWO PEOPLE REQUIRED

General Care:

- Keep your furniture out on direct sunlight-Use desk pads and coasters to protect the surface from dents, scratches and moisture from hot and cold liquids.




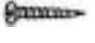




Cleaning:

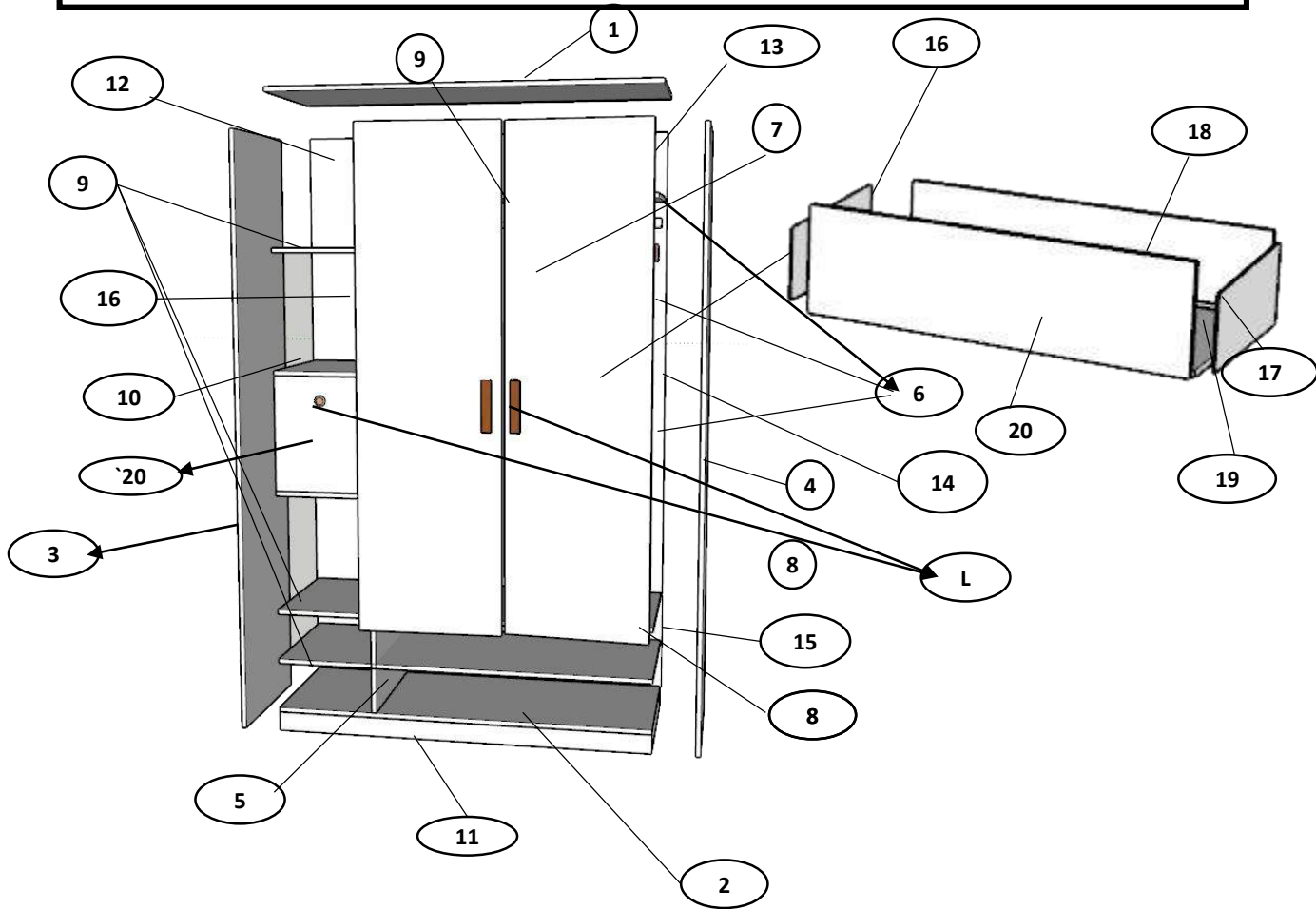
- For cleaning, wipe the surface with a damp (not with) cloth or wipe dry with a clean lint free cotton cloth.
- Window cleaning liquid or a similar cleaning liquid can be used to clean glass surfaces

• PARTS LIST

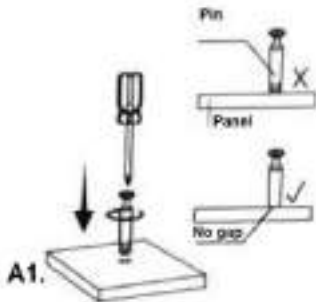
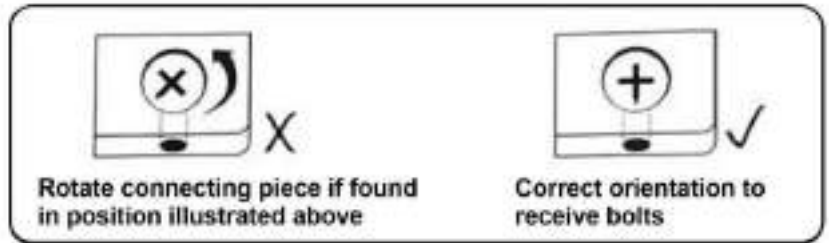
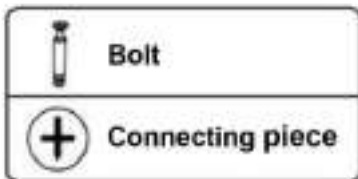
| SLNO | ITEMS | QTY | | ITEMS | QTY |
|------|-----------------|-----|----|-----------------------|-----|
| 1 | TOP PANEL | 1 | 10 | LH SHELF LOCKER | 1 |
| 2 | BOTTOM PANEL | 1 | 11 | SKIRTING | 2 |
| 3 | SIDE LH | 1 | 12 | BACK PANEL -SIDE | 1 |
| 4 | SIDE RH | 1 | 13 | BACK PANEL -TOP | 1 |
| 5 | CV | 1 | 14 | BACK PANEL- MIDDLE | 1 |
| 6 | RH FIXED SHELF | 3 | 15 | BACK PANEL- BOTTOM | 1 |
| 7 | SHUTTER | 2 | 16 | LH DRAWER SIDE | 1 |
| 8 | RH MIDDLE PANEL | 1 | 17 | RH DRAWER SIDE | 1 |
| 9 | LH SHELF | 4 | 18 | DRAWER BACK PANEL | 1 |
| | | | 19 | BOTTOM PANEL | 1 |
| | | | 20 | FASCIA | 1 |

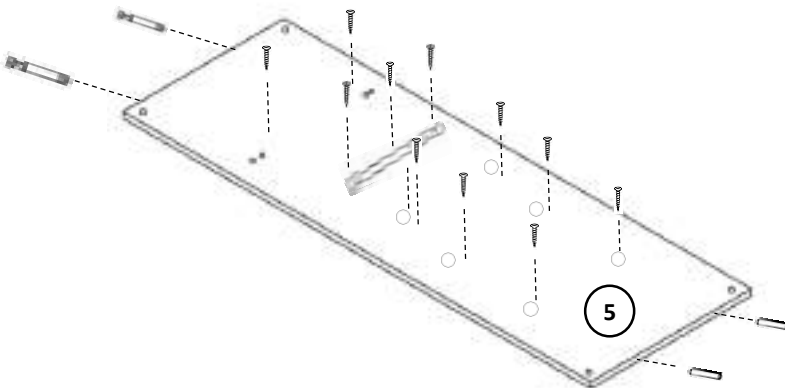
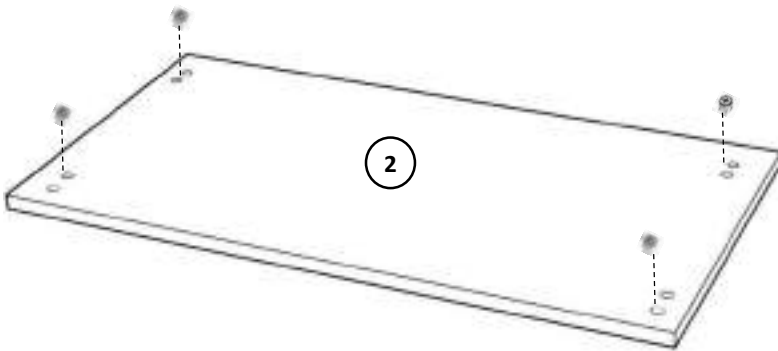
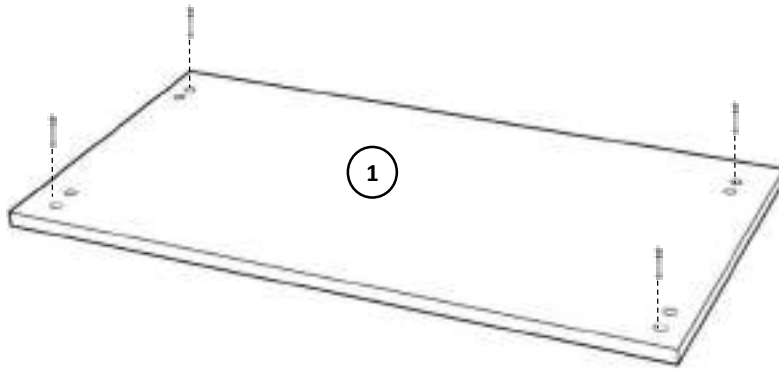
• SCREW LIST

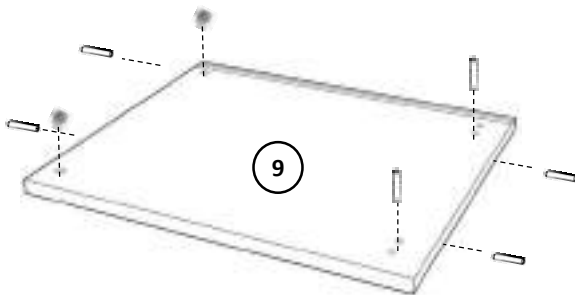
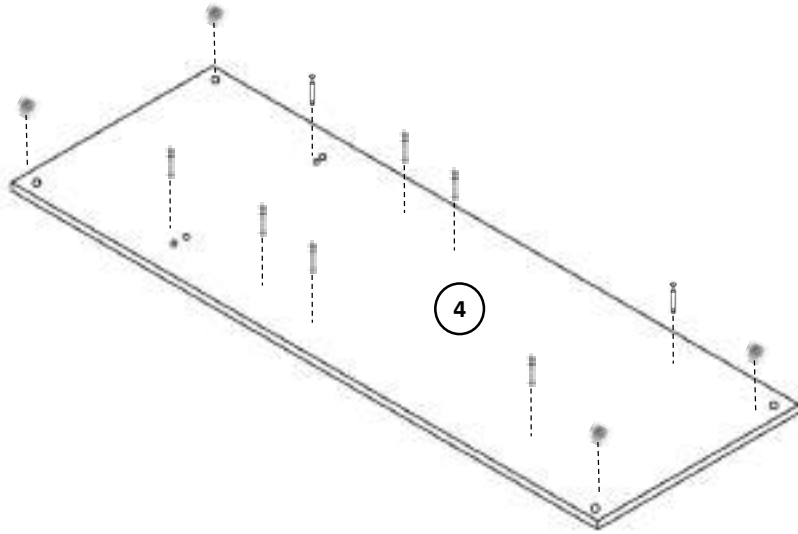
| SL NO | HARDWARE | QTY | | ITEMS | QTY |
|-------|--|-------|---|-------------------|-------|
| A | MINI FIX  | 52SET | I | DRAWER LOCKER | 1NOS |
| B | M8X40DOWELS  | 38PCS | N | PIN BUSH | 6NOS |
| C | M6X32 SCREW  | 4NOS | K | ALLEN KEY M4 | 1NOS |
| D | M8X16 SCREW  | 3NOS | L | WOODEN KNOB | 3NOS |
| E | M5X13 SCREW  | 12NOS | O | HANGER ROD | 1 NOS |
| F | 350MM BMC  | 1SET | P | HANGER BROCKET | 2 NOS |
| G | 16" CRANK HINGES  | 3SET | M | HANGER SREW | 36NOS |
| H | DOOR STOPPER  | 2NOS | | | |

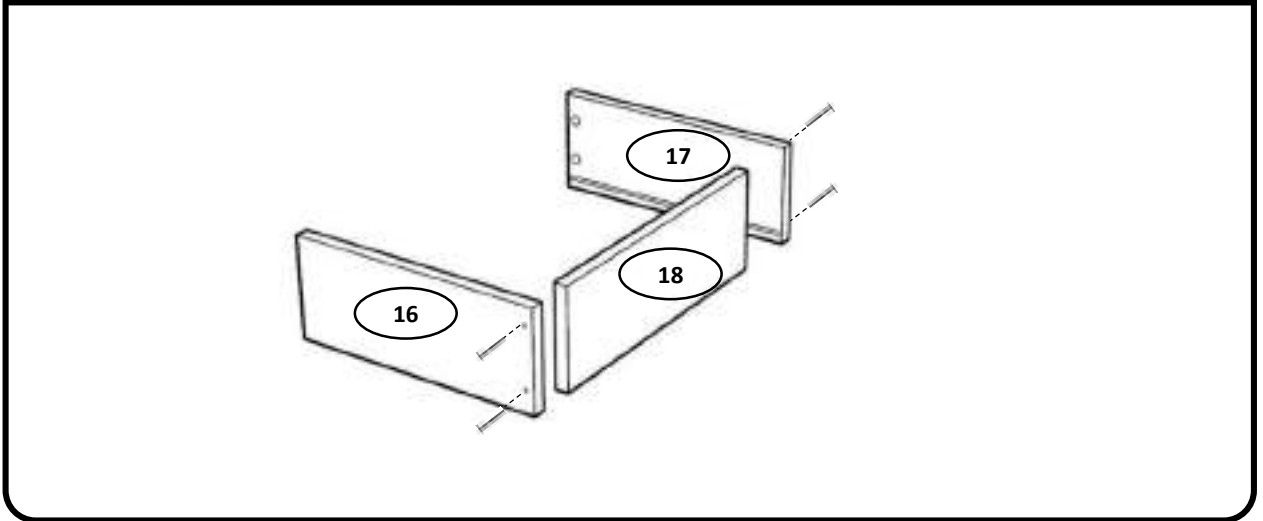
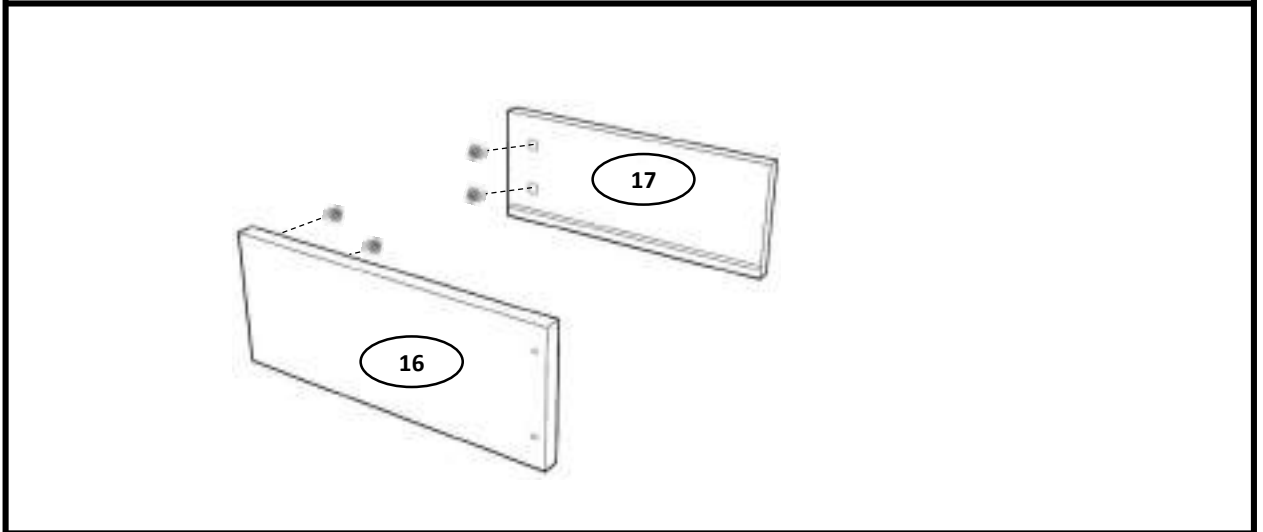
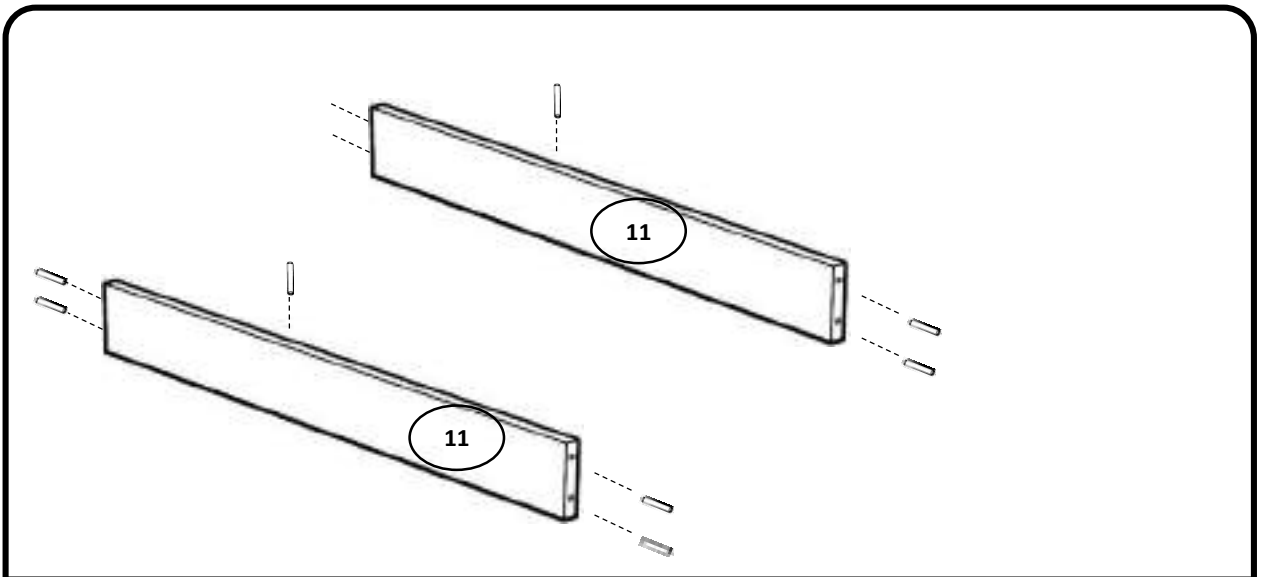


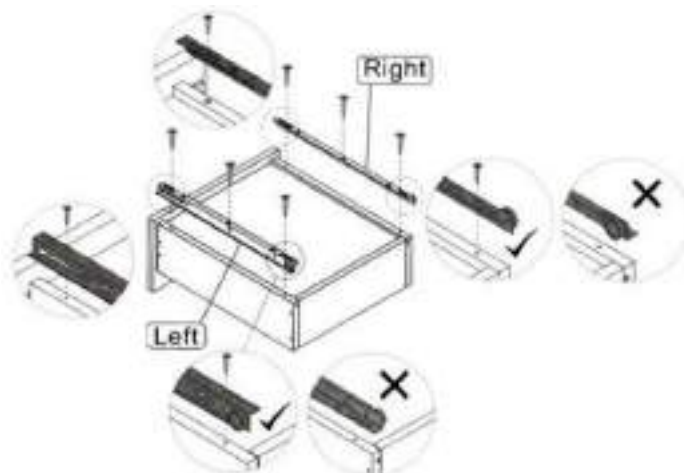
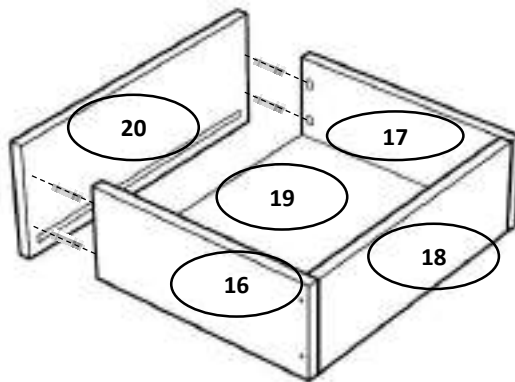
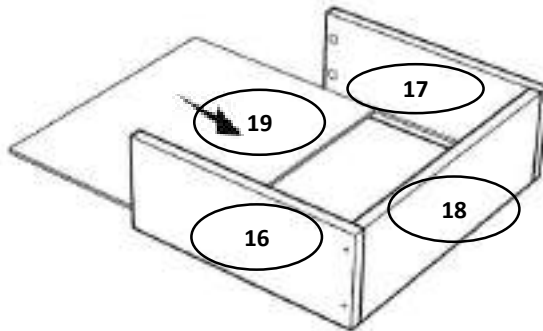
6x40 MM BOLTS INSTALLATION AS BELOW

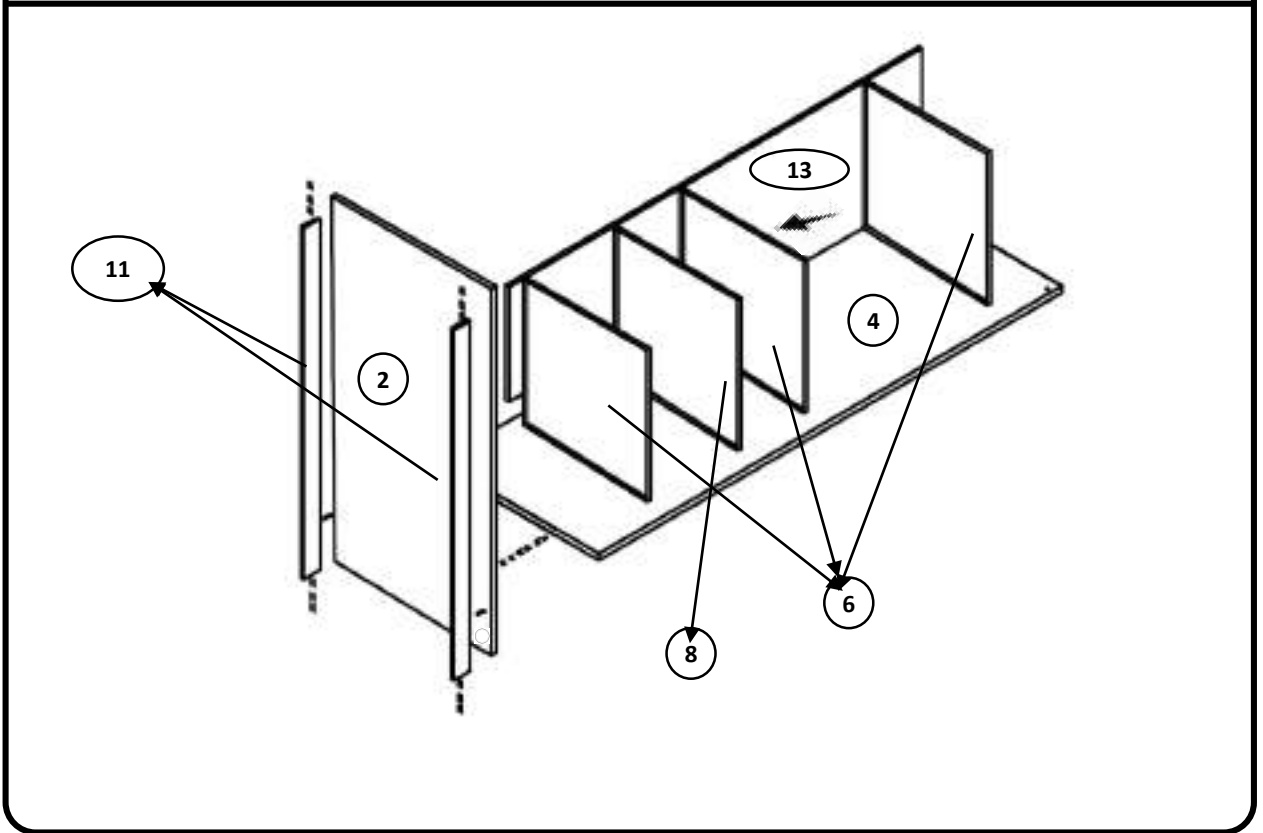
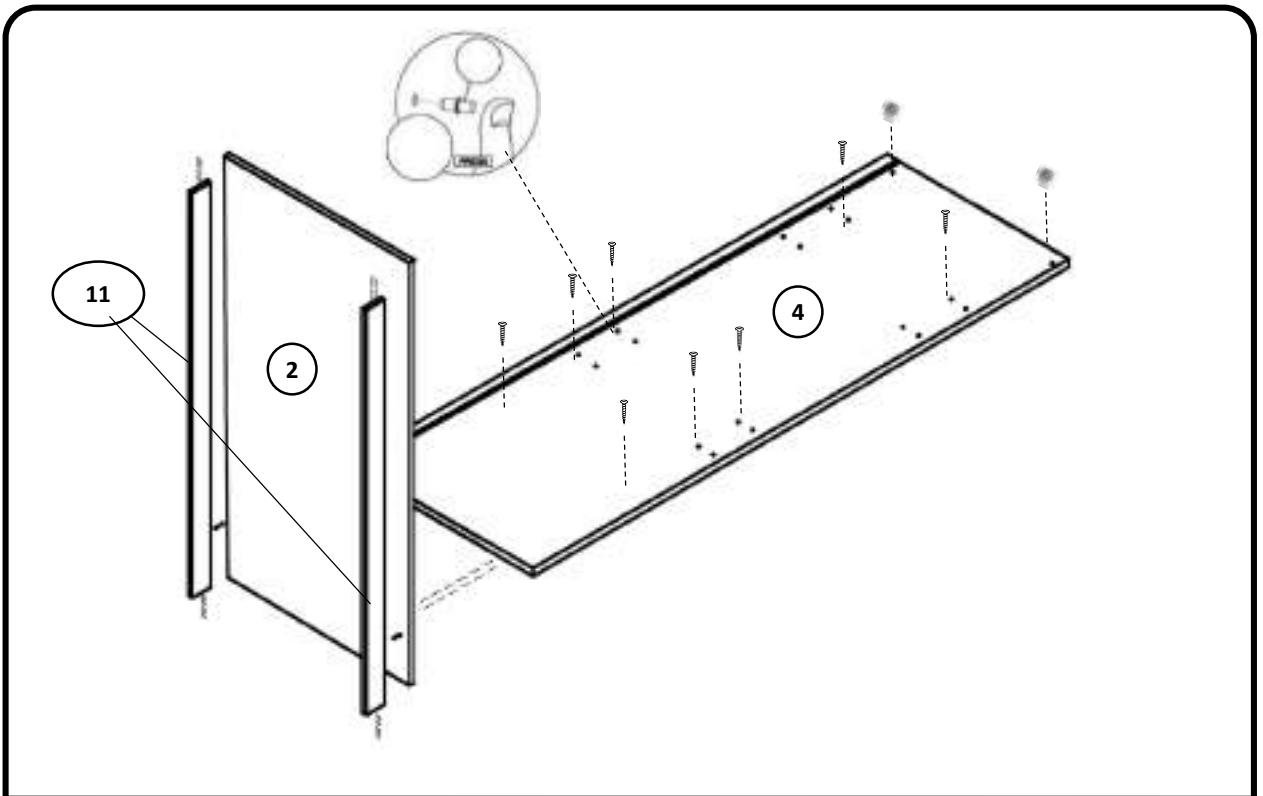


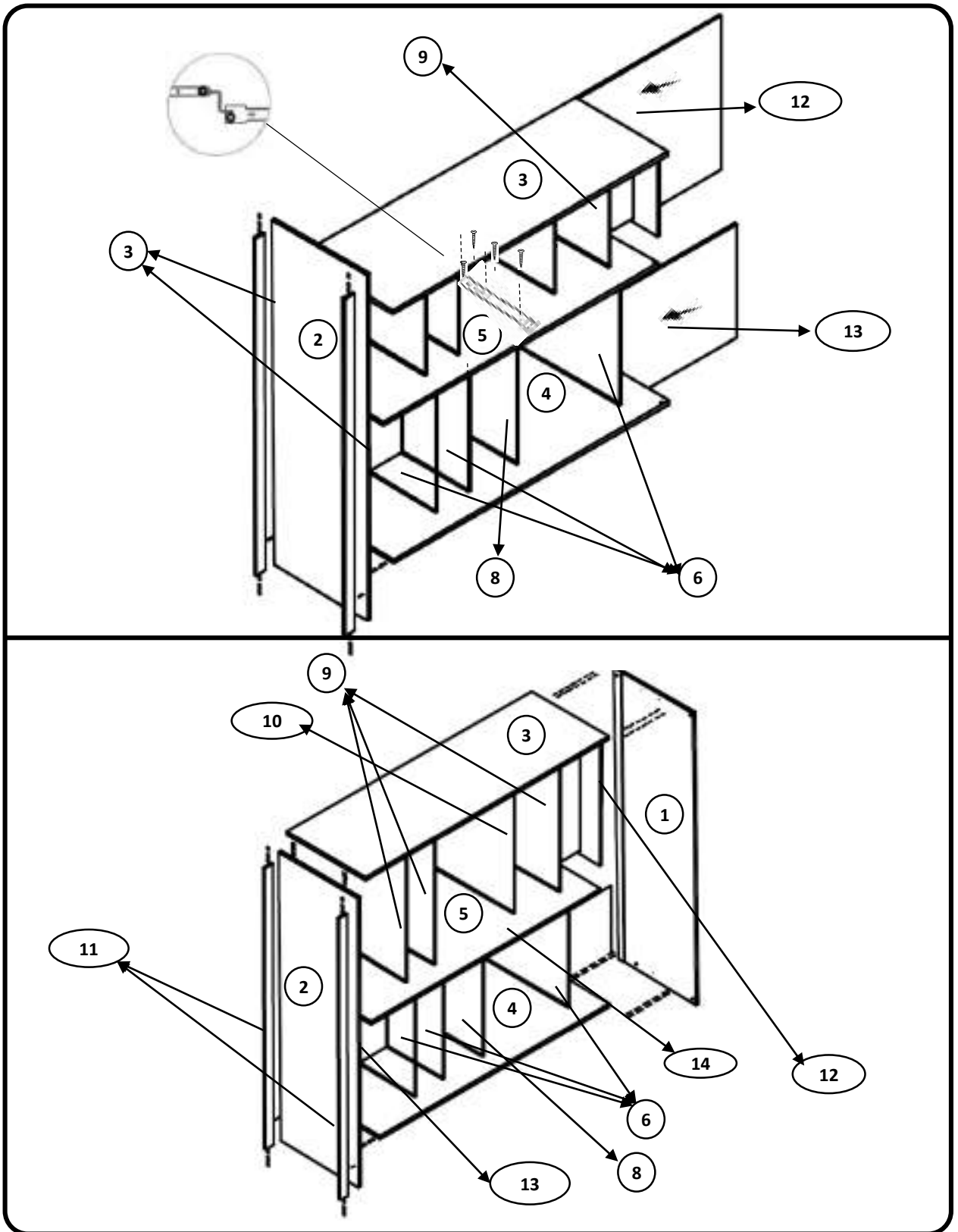


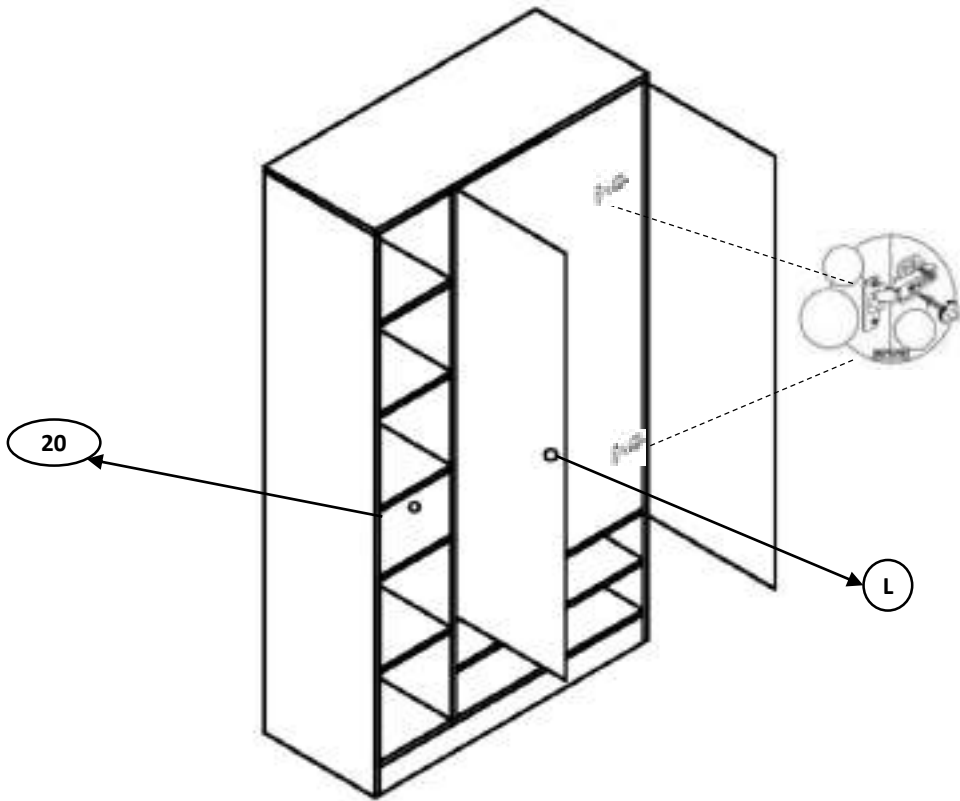




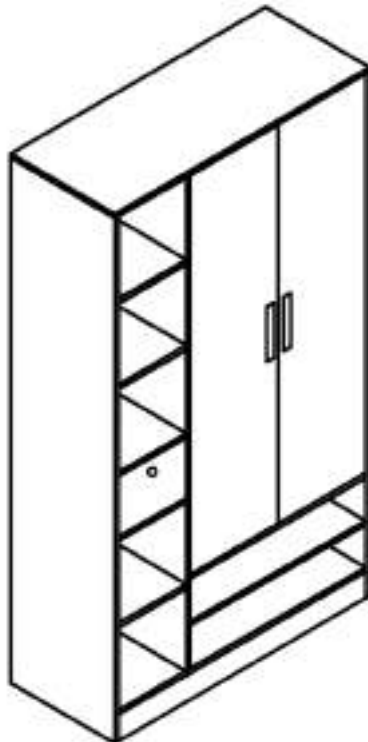








CONGRATULATIONS!!!



GUDSMITH