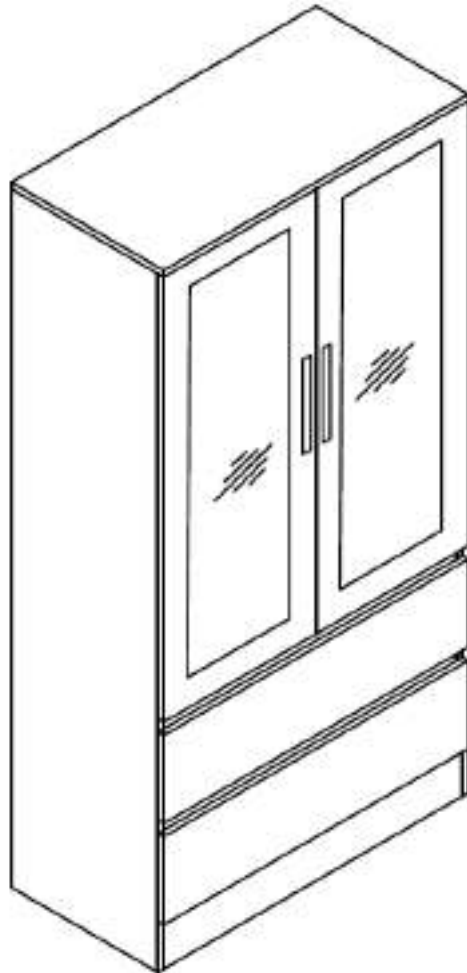


English

A4D

ASSEMBLY INSTRUCTION

Thanks for purchasing one of our products, please read carefully the assembly instructions before installation (Attention: Do not tighten the screws before all screws are in place).



TWO PEOPLE REQUIRED

General Care:

- Keep your furniture out on direct sunlight-Use desk pads and coasters to protect the surface from dents, scratches and moisture from hot and cold liquids.

Cleaning:

- For cleaning, wipe the surface with a damp (not with) cloth or wipe dry with a clean lint free cotton cloth.
- Window cleaning liquid or a similar cleaning liquid can be used to clean glass surfaces

• PARTS LIST

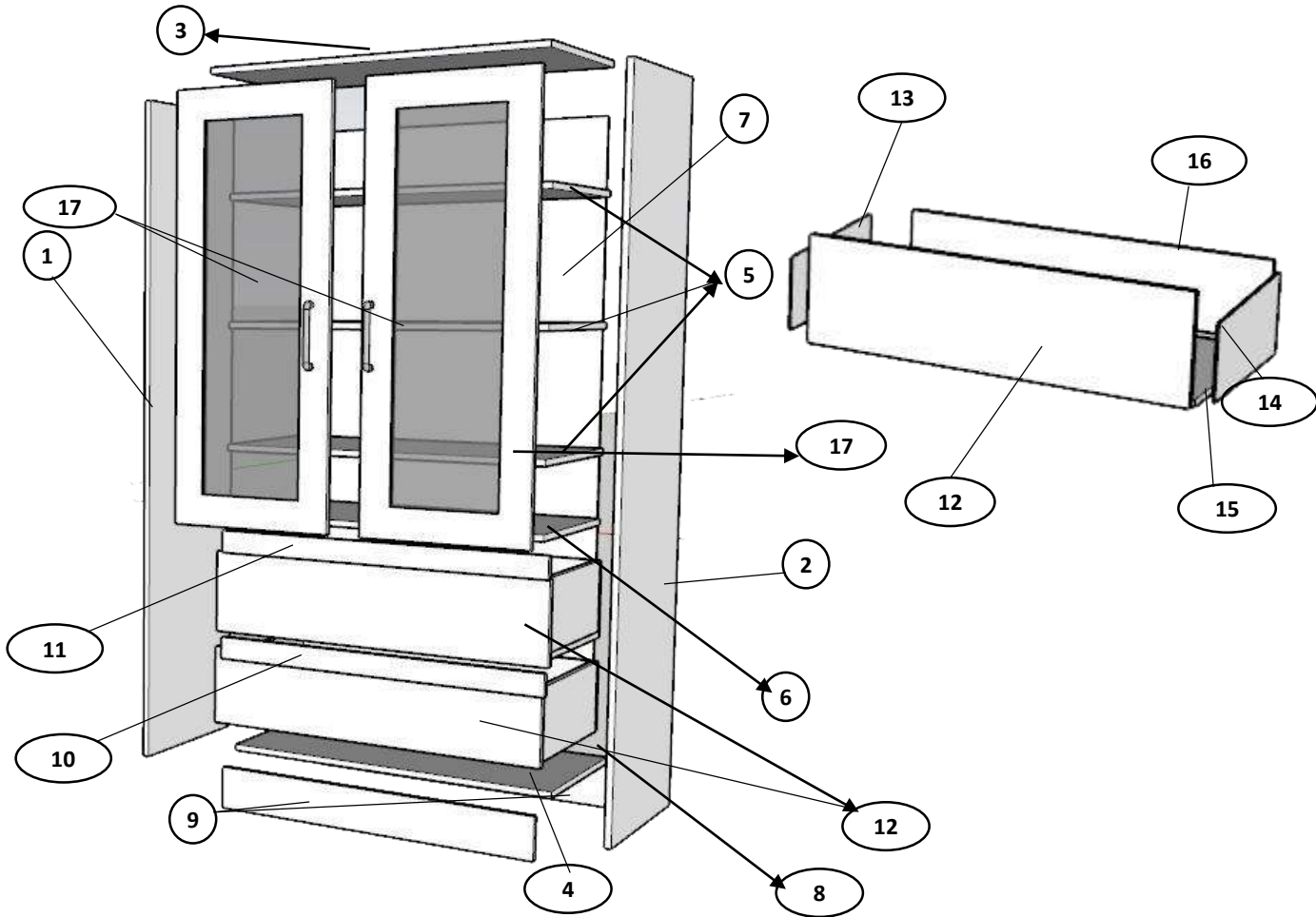
ITEMS LIST		QTY
1	SIDE LH	1 PC
2	SIDE RH	1 PC
3	TOP	1 PC
4	BOTTOM	1 PC
5	ADJ SHELFS	3PCS
6	MIDDLE FIXED SHELF	1 PC
7	BACK PANEL TOP	1 PCS
8	BACK PANEL BOTTOM	1 PC
9	FRONT & BACK SKRITING	2 PC

10	HANDLE PATTA BTM	1 PC
11	HANDLE PATTA TOP	1 PC
12	FASCIA	2 PC
13	DRAWER SIDE LH	2 PC
14	DRAWER SIDE RH	2 PC
15	BOTTOM	2 PC
16	DRAWER BACK	2 PC
17	GLASS SHUTTER	2 PC

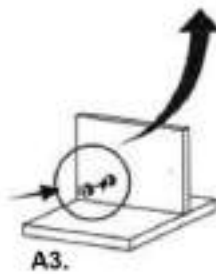
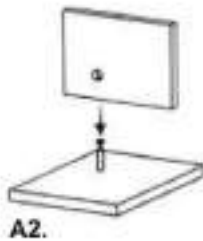
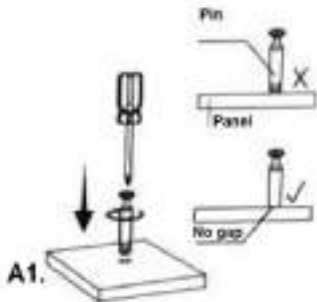
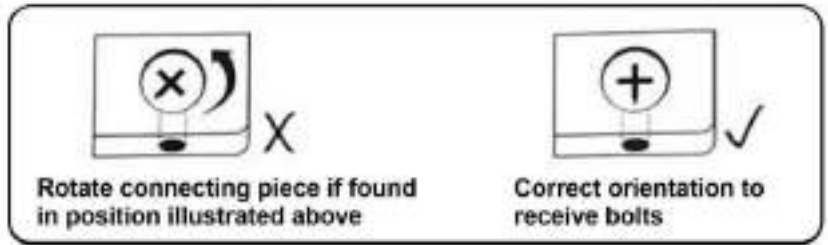
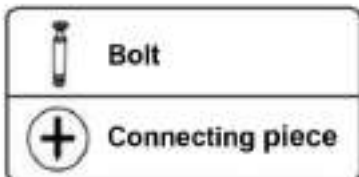
• SCREW LIST

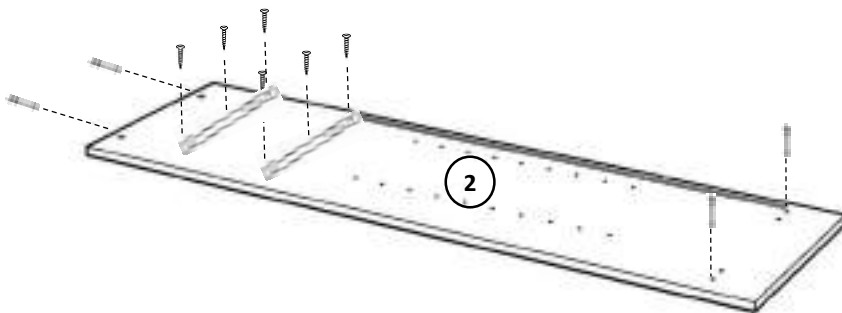
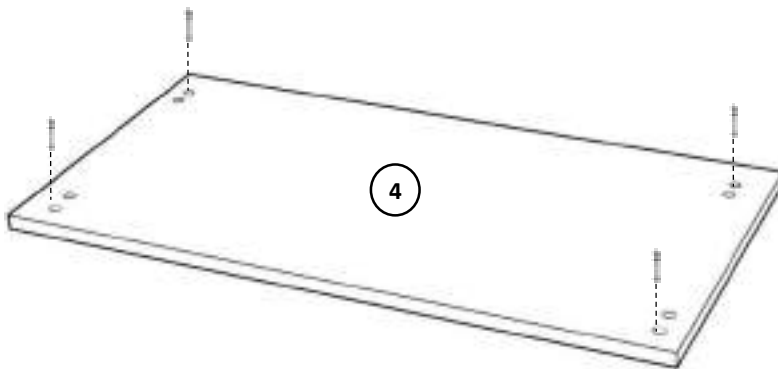
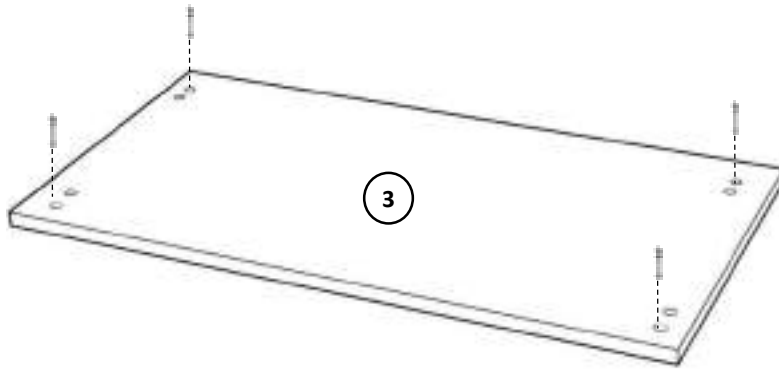
SL NO	HARDWERE	QTY
A1 A2	MINI FIX	22NOS
B	M8X40 DOWELS	26NOS
C	M6X32 SCREW	8 NOS
D	0 CRANK HINGES	3SET
E	SHELF PIN	12NOS
F	METAL HANDLE	2NOS
G	350MM telescopic channel	2SET
H	M5X13 SCREW	24NOS

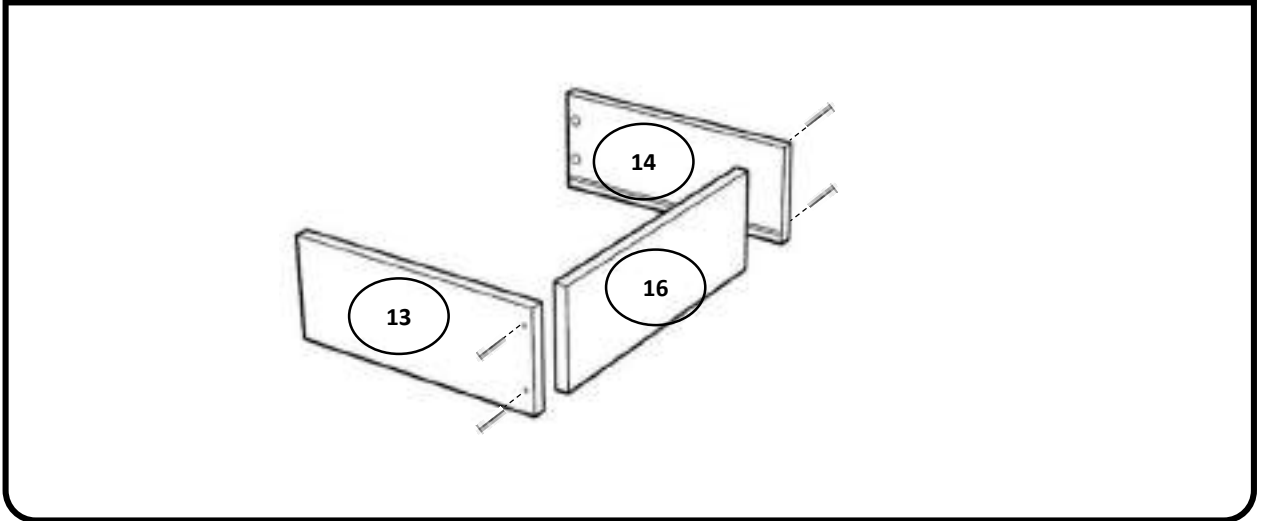
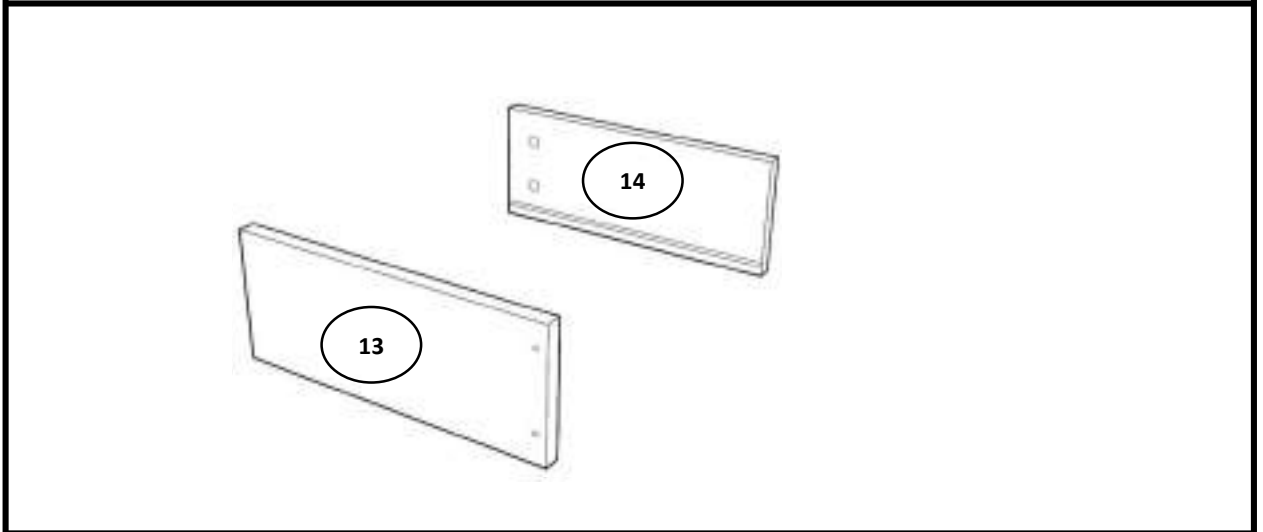
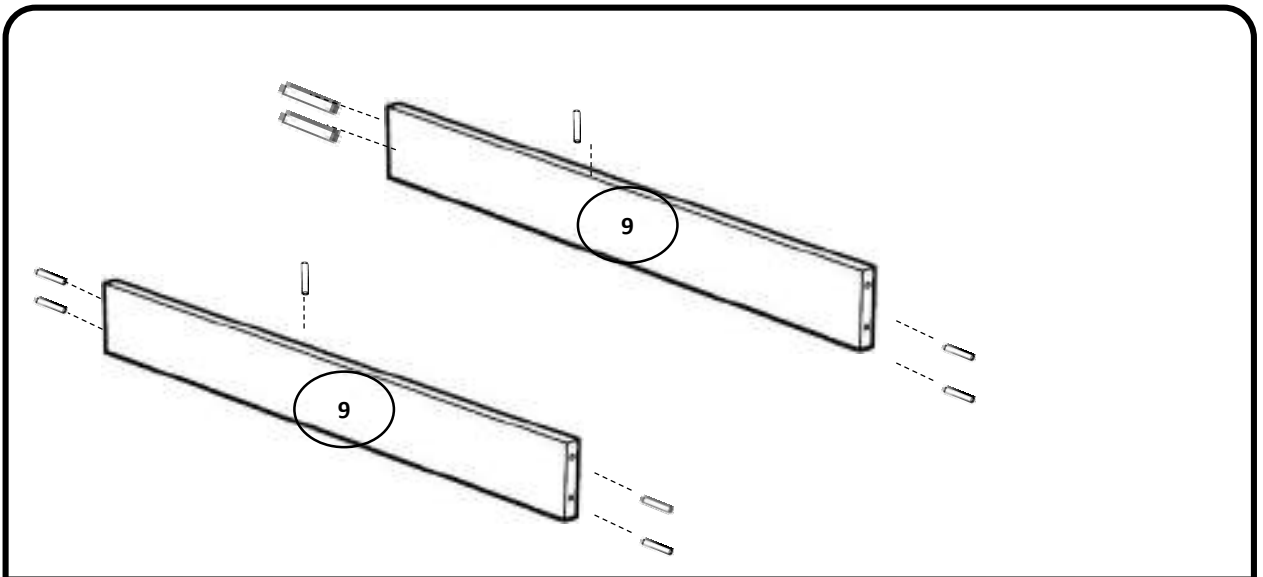
I	M6X25 BOTL	4NOS
J	HINGES SCREW	36NOS
K M	SCREW 6X16 &DOOR STOPER	4NOS
L	PIN BUSH	6NOS

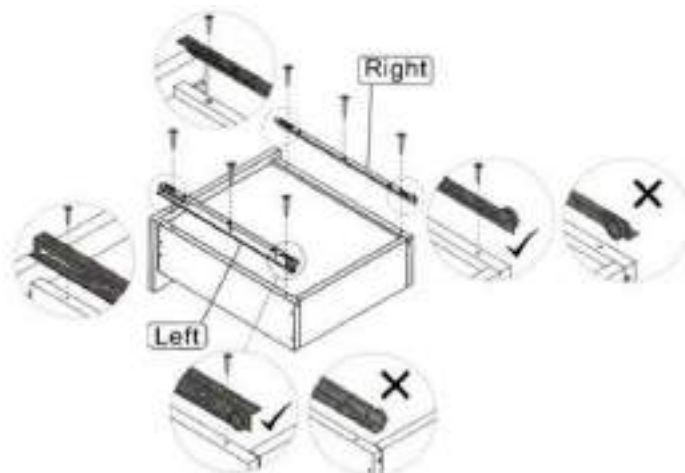
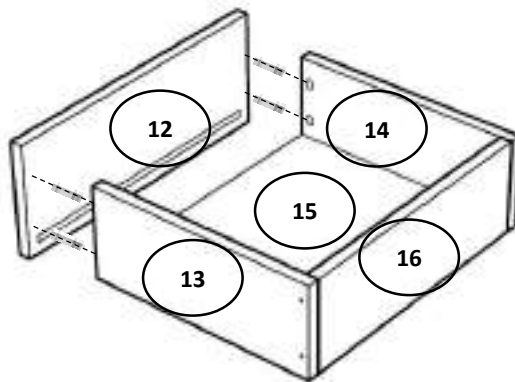
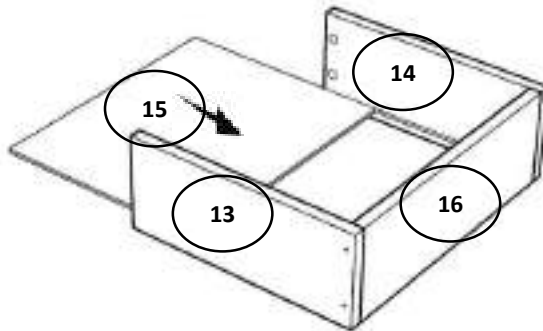


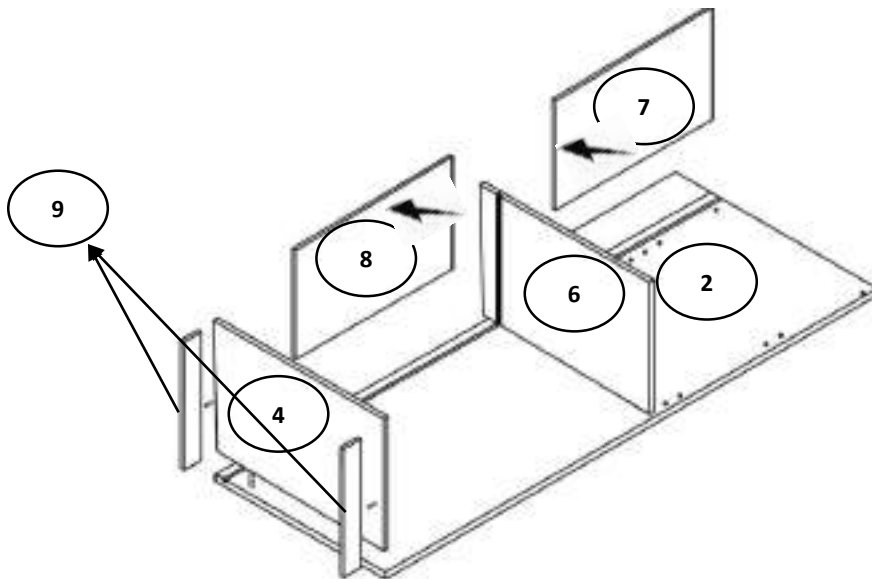
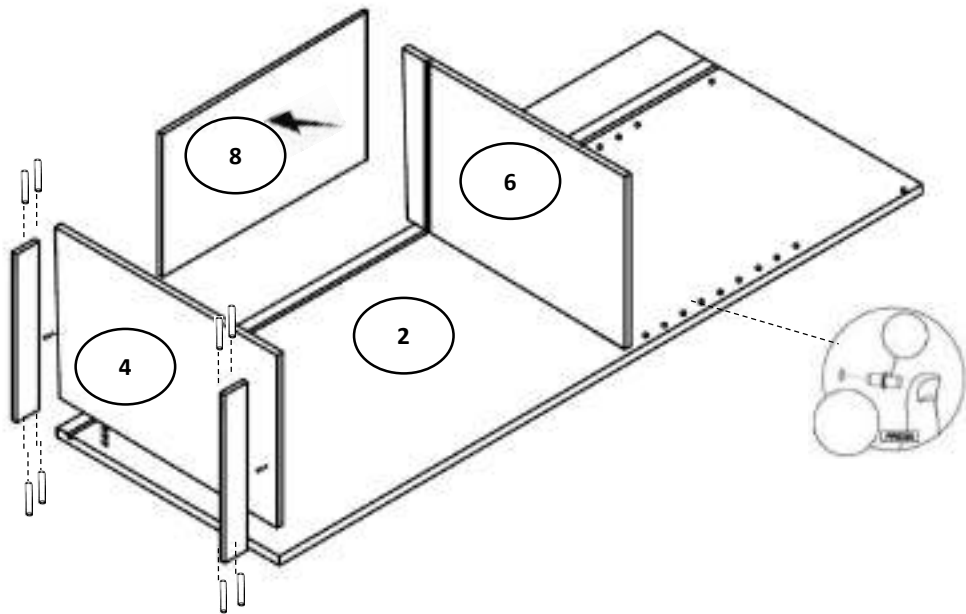
6x40 MM BOLTS INSTALLATION AS BELOW

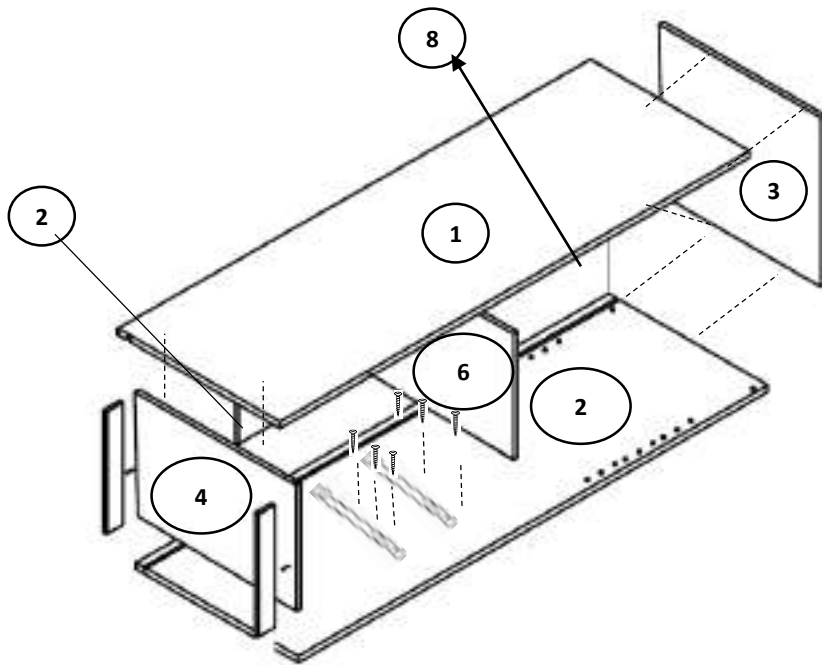
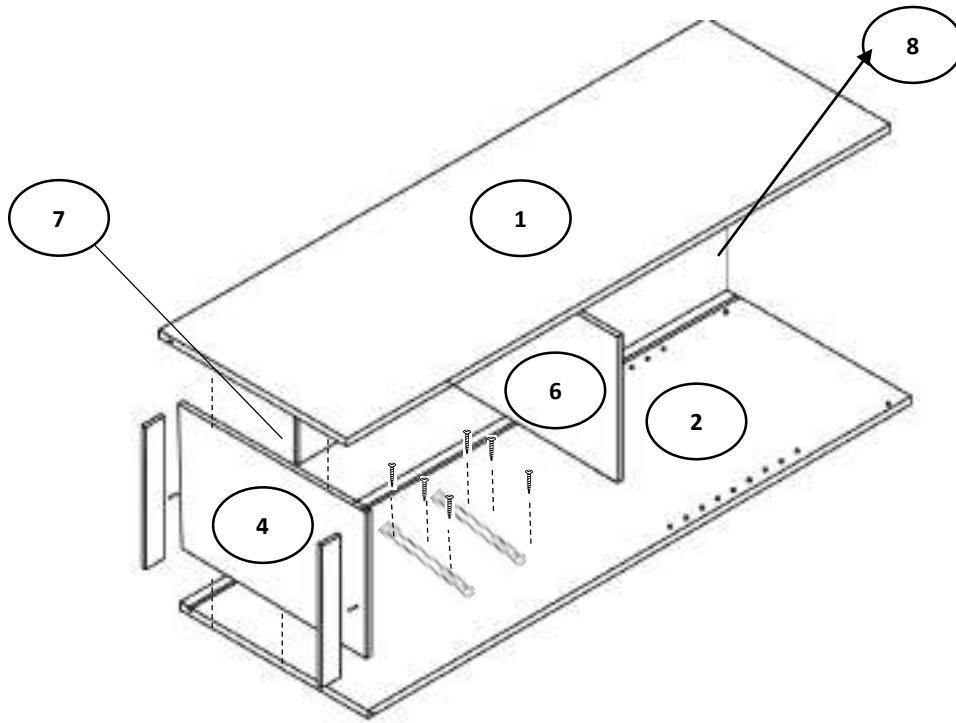


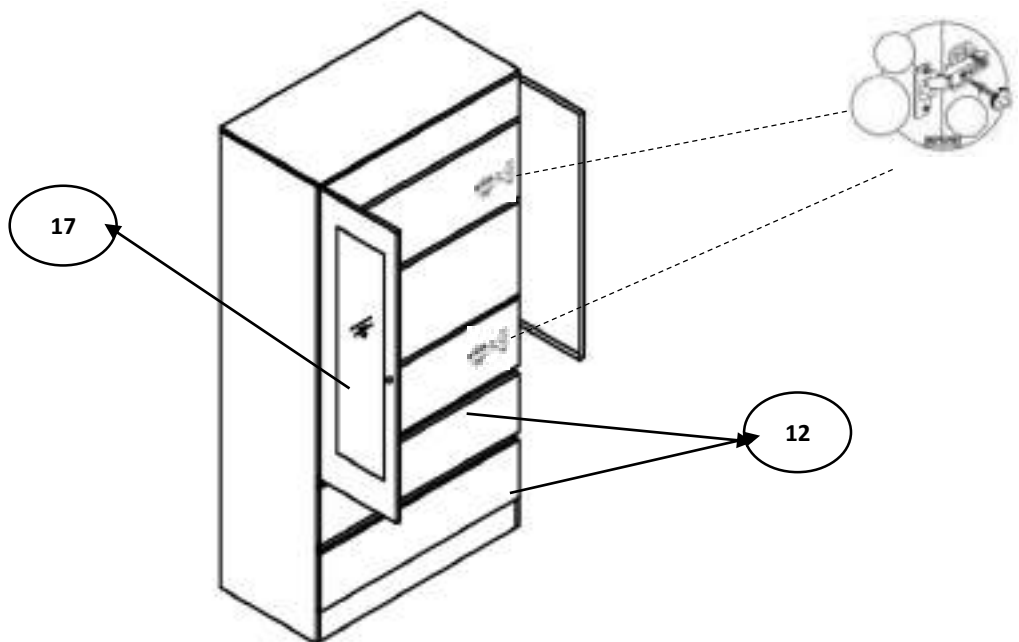
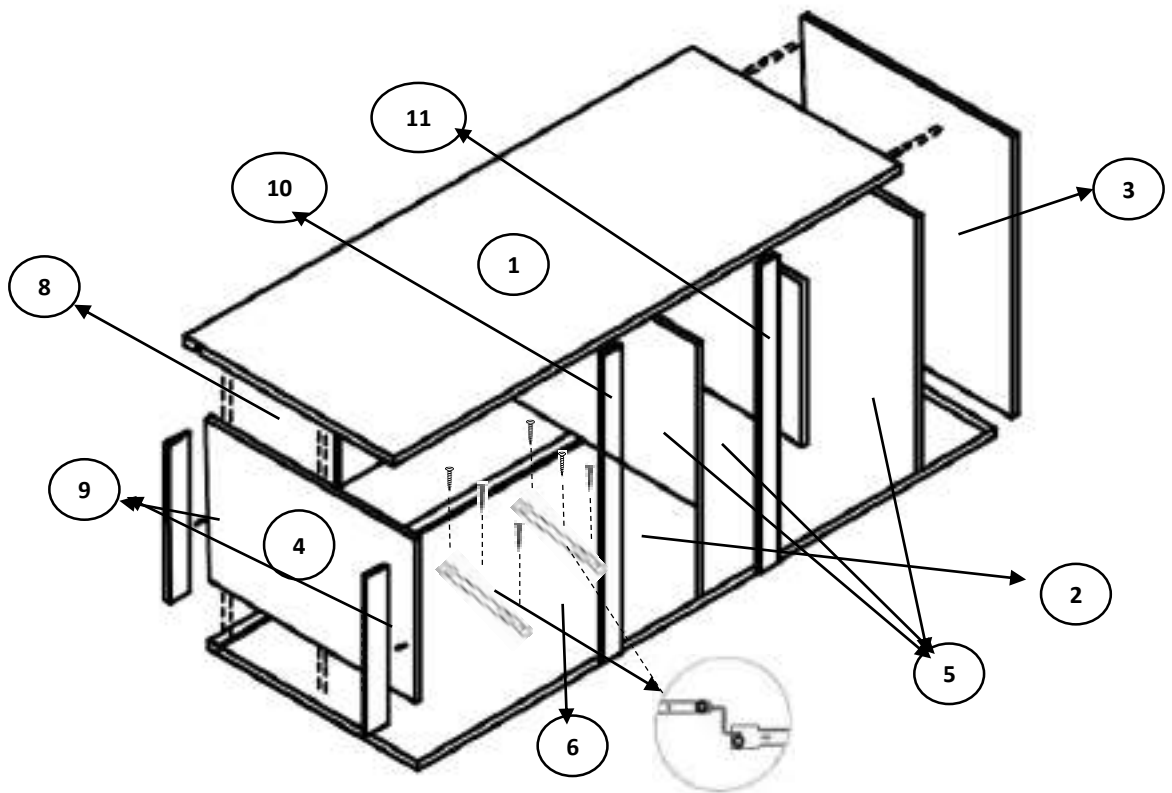




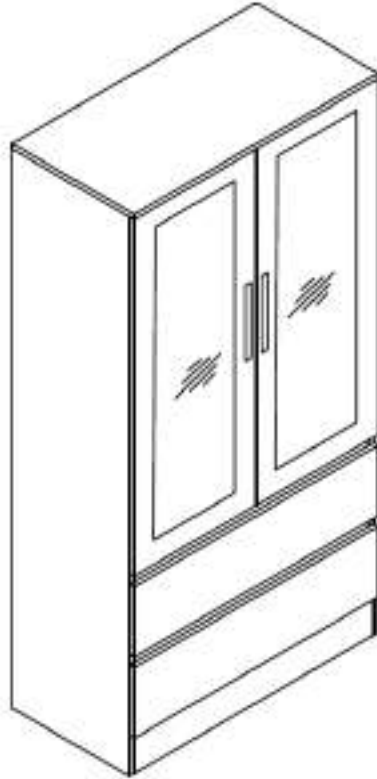








CONGRATULATIONS!!!



GUDSMITH