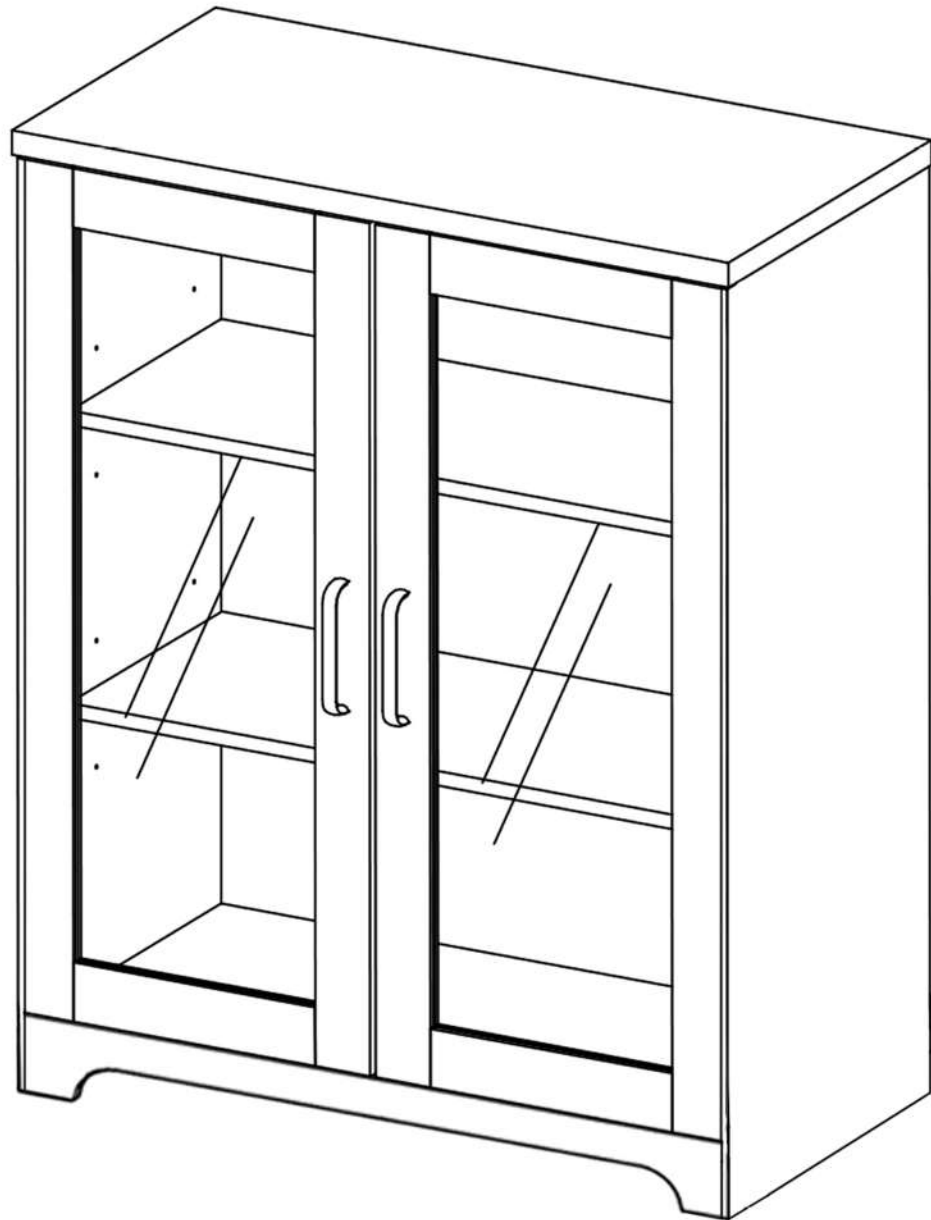


A2D

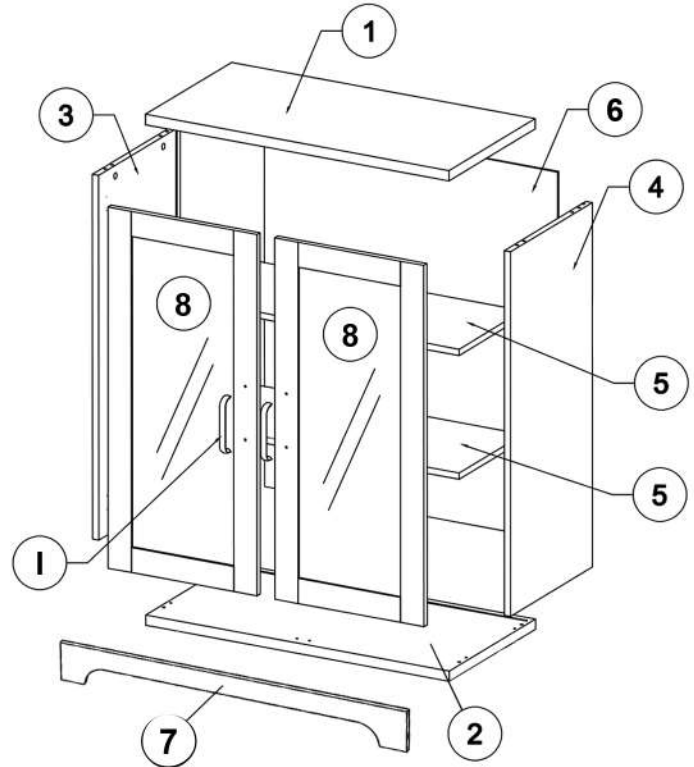
DISPLAY UNIT



Assembly Instructions

• PARTS LIST

PART LIST		QTY
1	TOP PANEL	1 PC
2	BOTTOM PANEL	1 PC
3	SIDE PANEL - L	1 PC
4	SIDE PANEL - R	1 PC
5	SHELF PANEL	2 PCS
6	BACK PANEL	1 PC
7	CABINET SKIRTING	1 PC
8	DOOR PANEL	2 PCS



• SCREW LIST

HARDWARE			
A	MINI FIX	A1 A2	8 SETS
B	M8 X 40MM DOWEL		13 PCS
C	M6 X 16MM C.B SCREW		26 PCS
D	METAL SHELF SUPPORT		8 PCS
E	0°CRANK HINGES SOFT CLOSE		2 SETS
F	DOOR STOPPER		1 PC
G	HANDLE SCREW M4 X 19MM		4 PCS
H	HANDLE 1159-128SSE		2 PCS

SELF-PREPARED TOOLS: Tools below are NOT included in package.



SCREWDRIVER

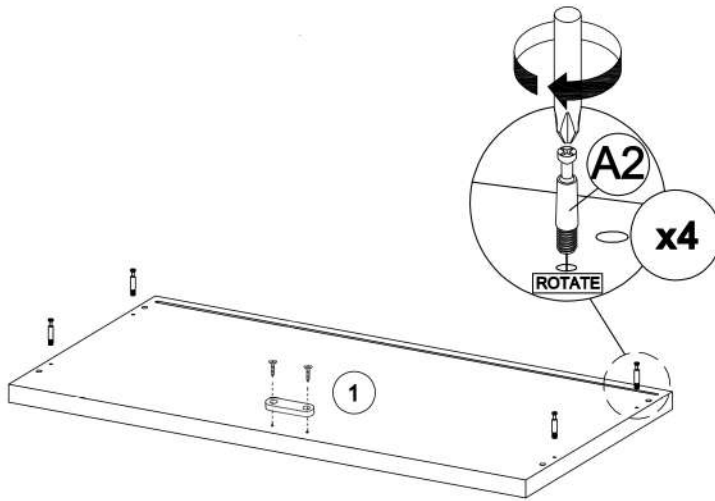


HAMMER



POWER DRILL



1

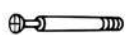



• SCREWS

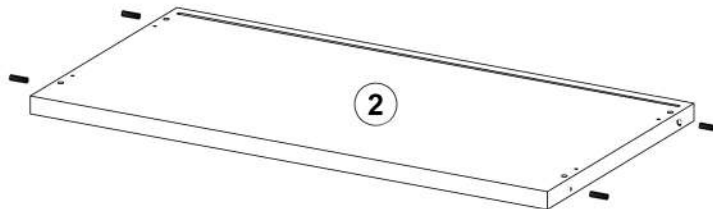
F  x 1

• SCREWS


C 6 x 16 MM  x 2 

A2 6 x 40 MM  x 4 

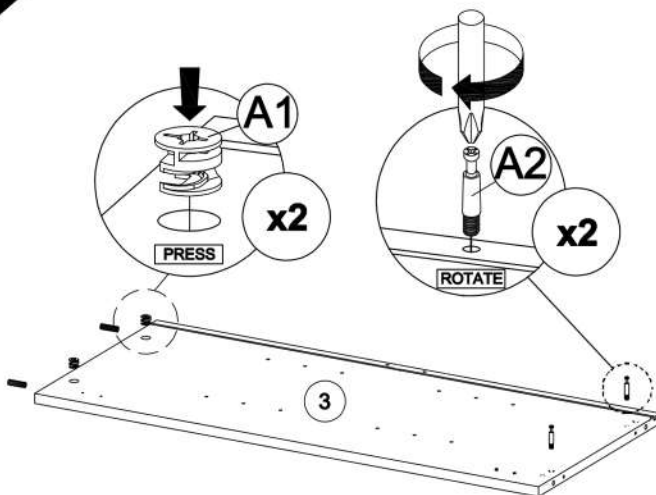
2



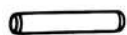
• SCREWS

B 8 x 40 MM  x 4

3



• SCREWS

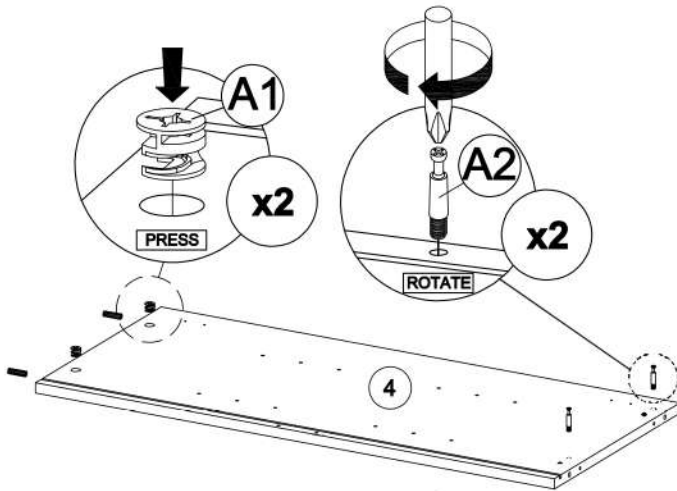
B 8 x 40 MM  x 2

• SCREWS

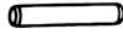
A1 Ø 15 MM  x 2 

A2 6 x 40 MM  x 2 

4





• SCREWS

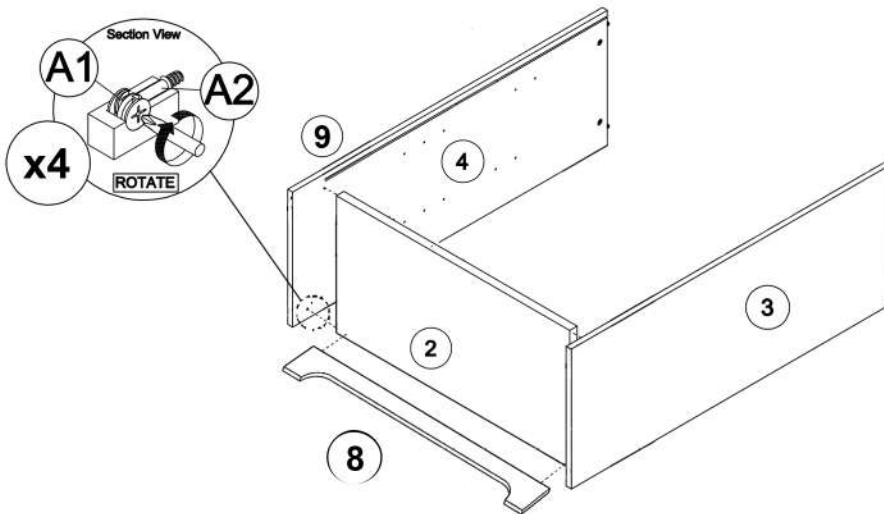
B 8 x 40 MM
 x 2

• SCREWS

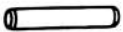
A1 Ø 15 MM
 x 2 

A2 6 x 40 MM
 x 2 

5





• SCREWS

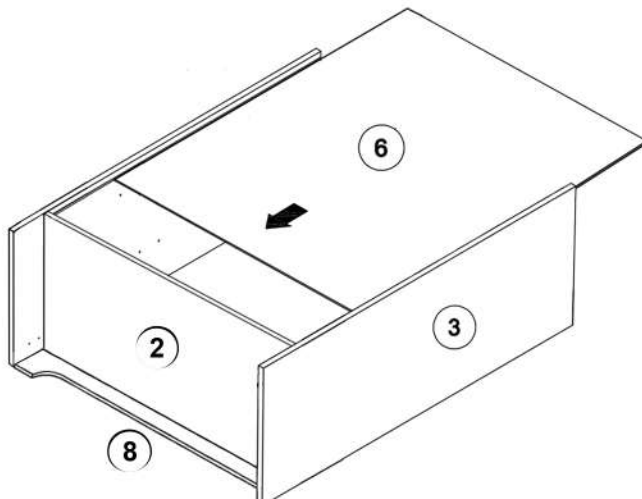
B 8 x 40 MM
 x 5

• SCREWS

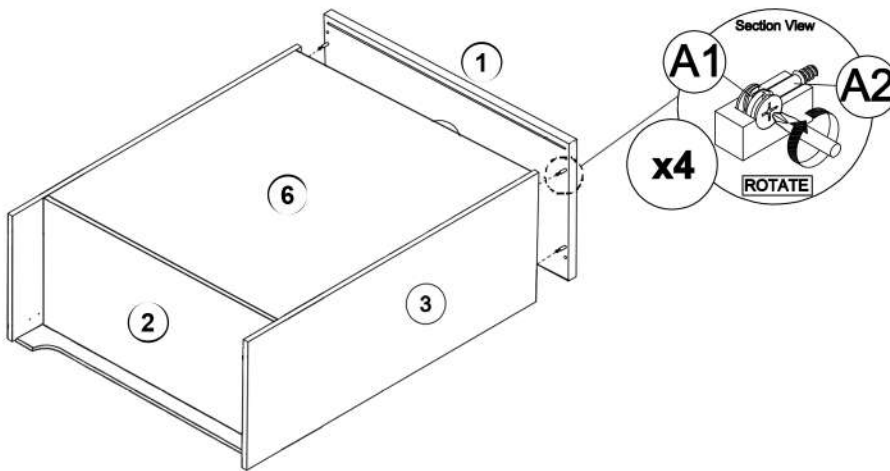
A1 Ø 15 MM
 x 4 





A2 6 x 40 MM
 x 4 

6

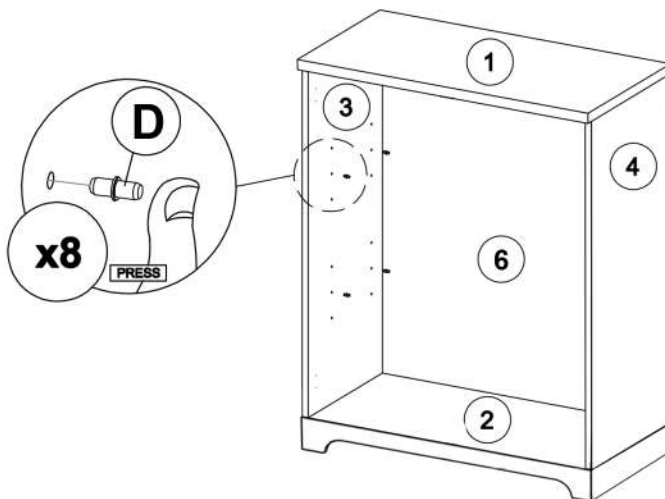


7



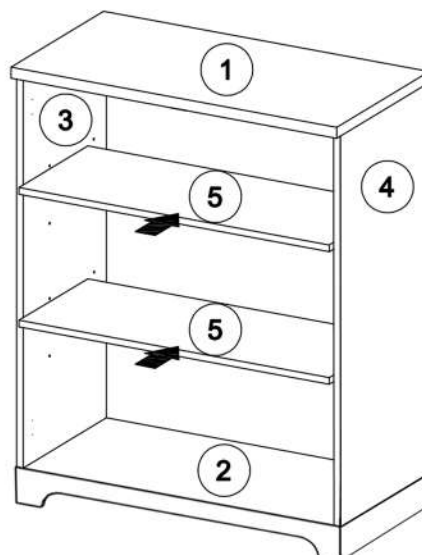
• SCREWS		
A1	Ø 15 MM	
	 x 4	
A2	6 x 40 MM	
	 x 4	

8



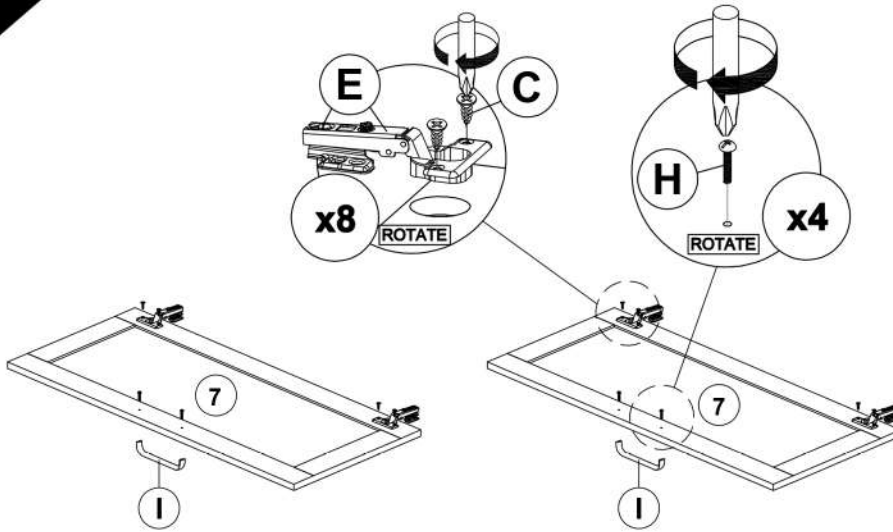
• SCREWS		
D		x 8

9



SCREWS

10



• SCREWS

C 6 x 16 MM x 8

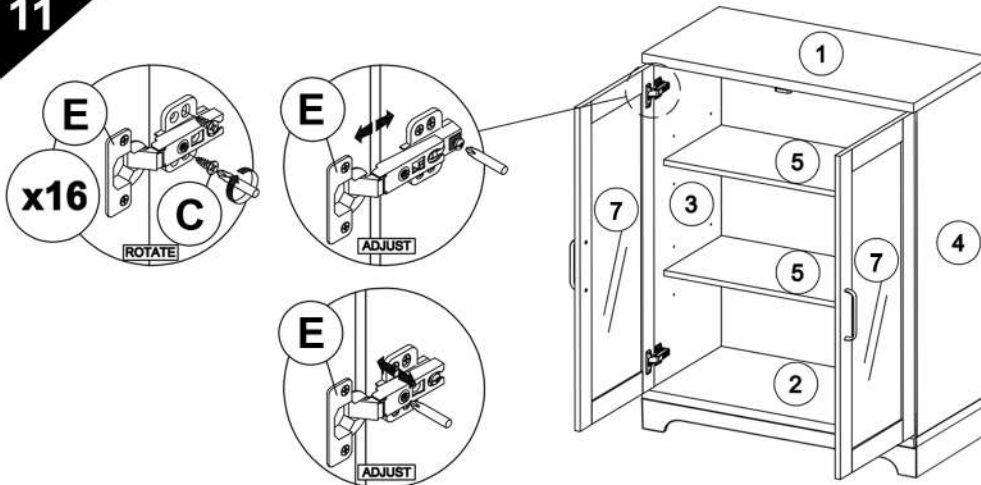
H x 2

• SCREWS

E x 4

G 4 x 19 MM x 4

11

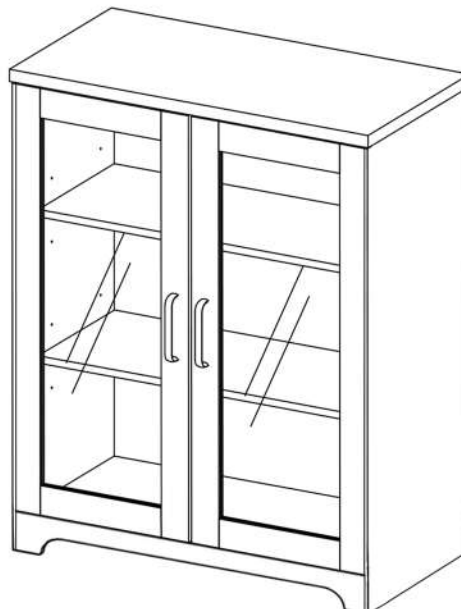






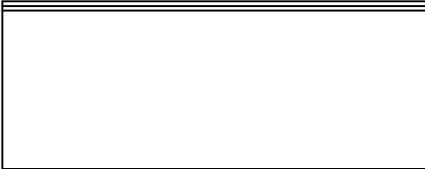

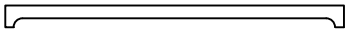
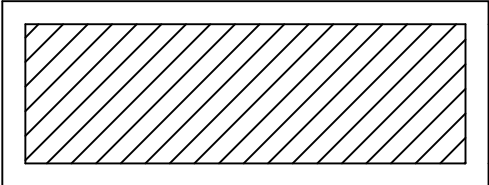
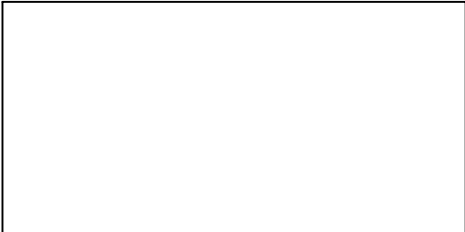

• SCREWS





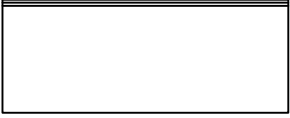
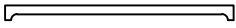
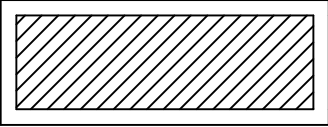


C 6 x 16 MM x 16

E x 4

CONGRATULATIONS!!!



SL .NO	COMPONENT	DRAWING	QTY	REMARKS
1	SIDE LH PART-03		1	
2	SIDE LH PART-04		1	
3	TOP PART-01		1	
4	AJ. SHELF PART-05		1	
5	BOTTOM PART-02		1	
6	AJ. SHELF PART-05		1	
7	SKIRTING PART-07		1	
8	GLASS SHUTTER PART-08		2	
9	BACK PANEL PART-06		1	
10	HARDWARE KIT		1	

SL .NO	COMPONENT	DRAWING	QTY	REMARKS
1	SIDE LH PART-03		1	
2	SIDE RH PART-04		1	
3	TOP PART-01		1	
4	AJ. SHELF PART-05		2	
5	BOTTOM PART-02		1	
7	SKIRTING PART-07		1	
8	GLASS SHUTTER PART-08		2	
9	BACK PANEL PART-06		1	
10	HARDWARE KIT		1	

