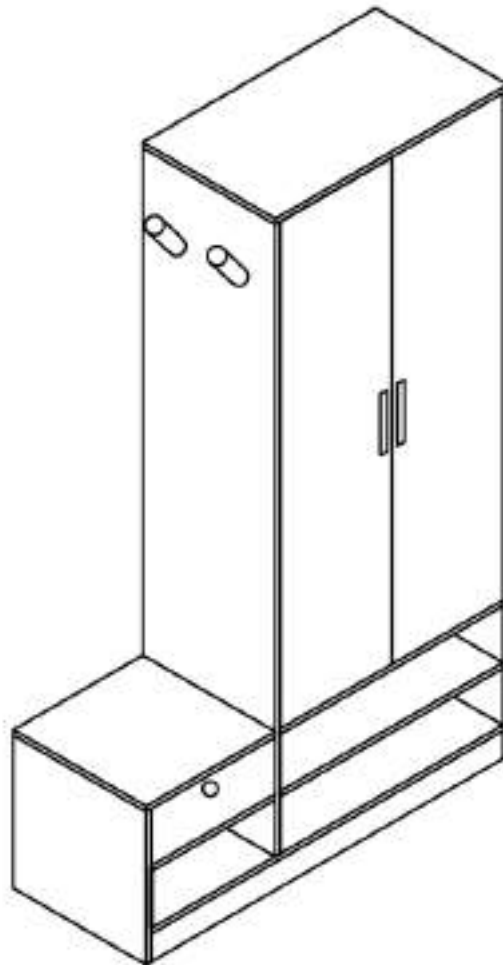


English

W255

ASSEMBLY INSTRUCTION

Thanks for purchasing one of our products, please read carefully the assembly instructions before installation (Attention: Do not tighten the screws before all screws are in place).



TWO PEOPLE REQUIRED

General Care:

- Keep your furniture out on direct sunlight-Use desk pads and coasters to protect the surface from dents, scratches and moisture from hot and cold liquids.

Cleaning:

- For cleaning, wipe the surface with a damp (not with) cloth or wipe dry with a clean lint free cotton cloth.
- Window cleaning liquid or a similar cleaning liquid can be used to clean glass surfaces





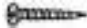




• PARTS LIST

ITEMS LIST		QTY
1	TOP PANEL	1 PC
2	BOTTOM PANEL	1 PC
3	SIDE LH	1 PC
4	SIDE RH	1 PC
5	RH TOP PANEL	1PCS
6	CV	1 PC
7	RH FIXED SHELF	3 PCS
8	SHUTTER	2 PC
9	RH MIDDLE PANEL	1 PC
10	LH SHELF	1 PC

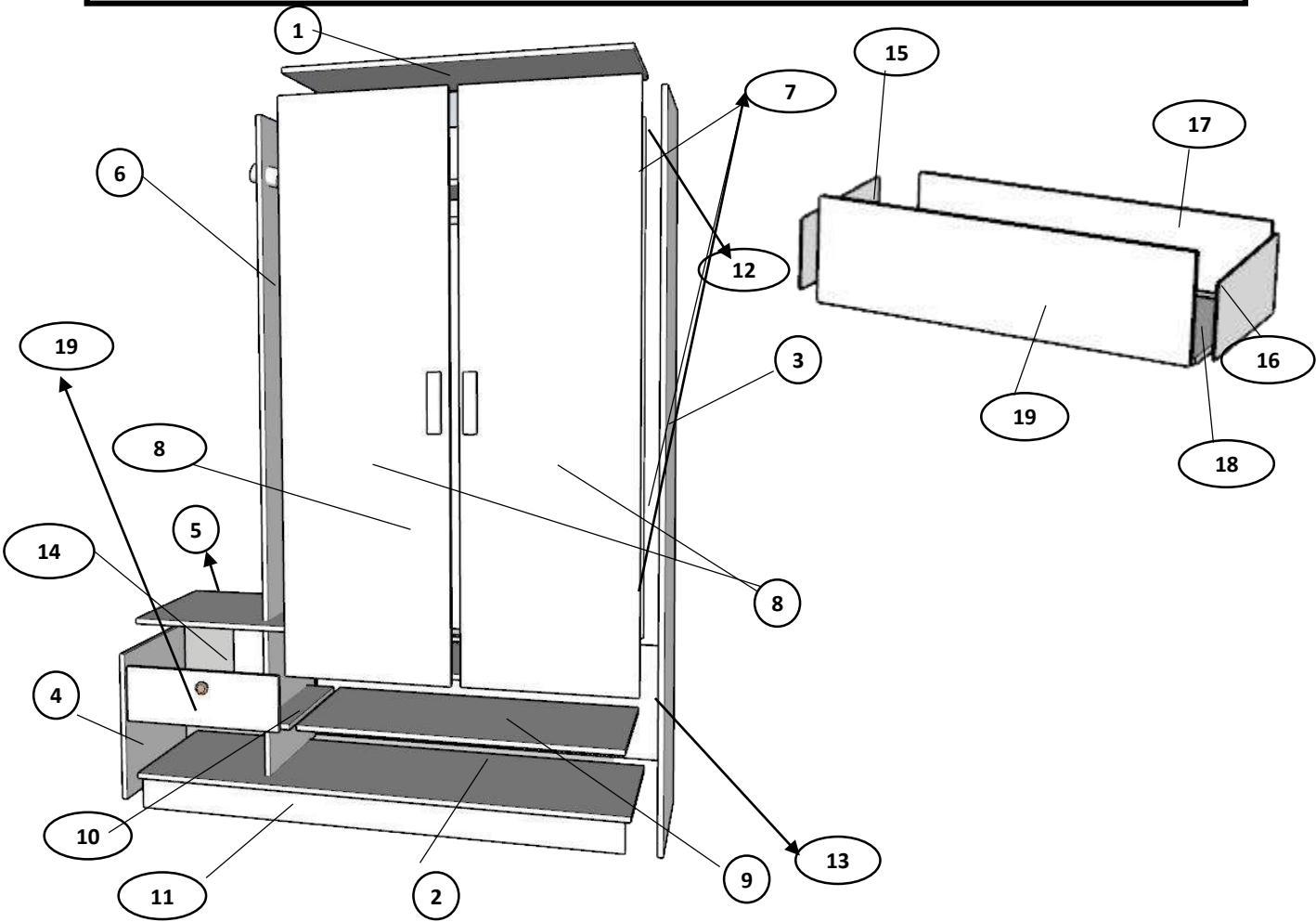
11	Skirting	2 PC
12	Back panel-TOP	1 PC
13	Back panel-BTM	1 PC
14	Back panel –side	1 PC
15	LH drawer side	1 PC
16	RH drawer side	1 PC
17	Drawer back	1 PC
18	bottom	1 PC
19	fascia	1 PC

• SCREW LIST

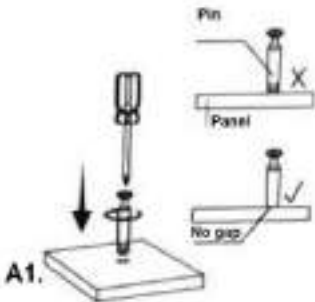
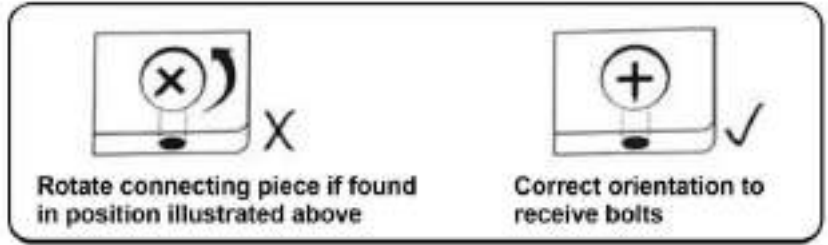
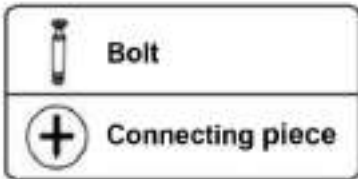
HARDWARE

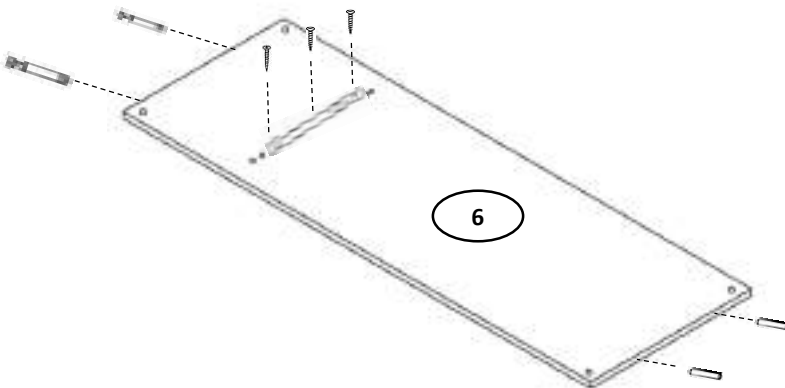
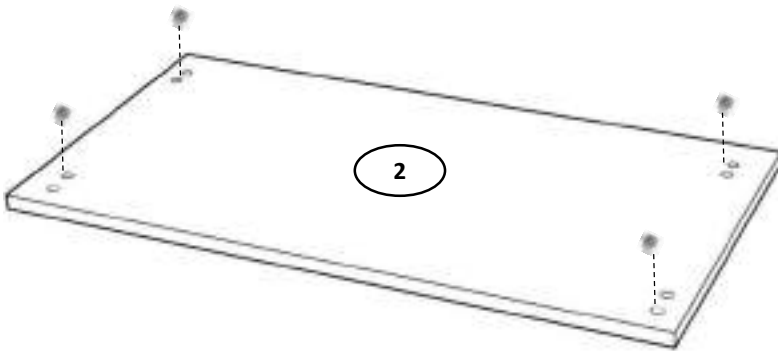
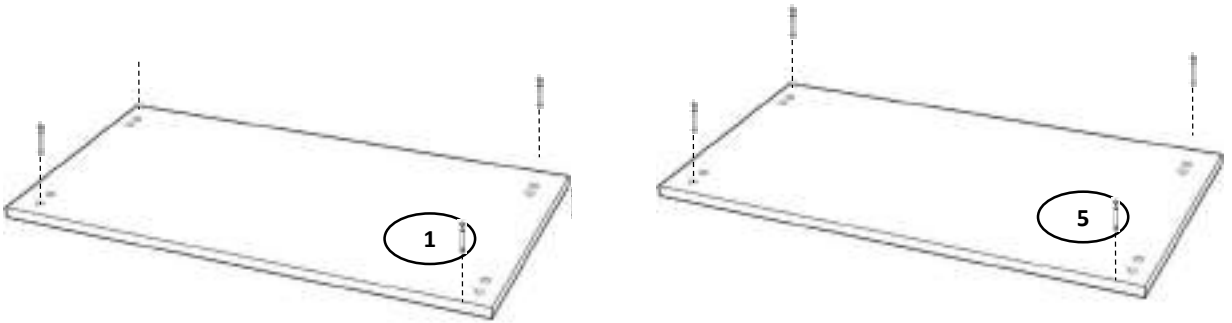
A	MINI FIX  	38 SET
B	M8 X 40 DOWELS 	44PCS
C	M6 X 32 SCREW 	4 PCS
D	M8 X 16 SCREW 	40PCS
E	M5 X 13 SCREW 	12 PCS
F	350MM BMC 	1 SET
G	16 CRANK HINGES 	3 SET
H	Hanger rod	1
I	DOOR STOPPER 	2 PCS
J	Hanger bracket	2 PCS
k	Hanger wooden	2 PCS

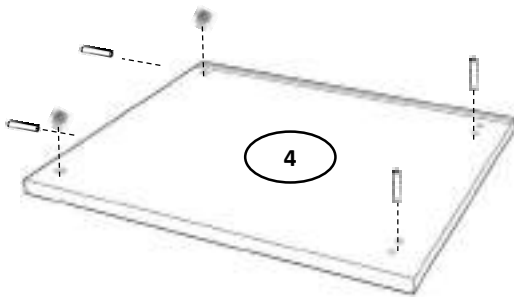
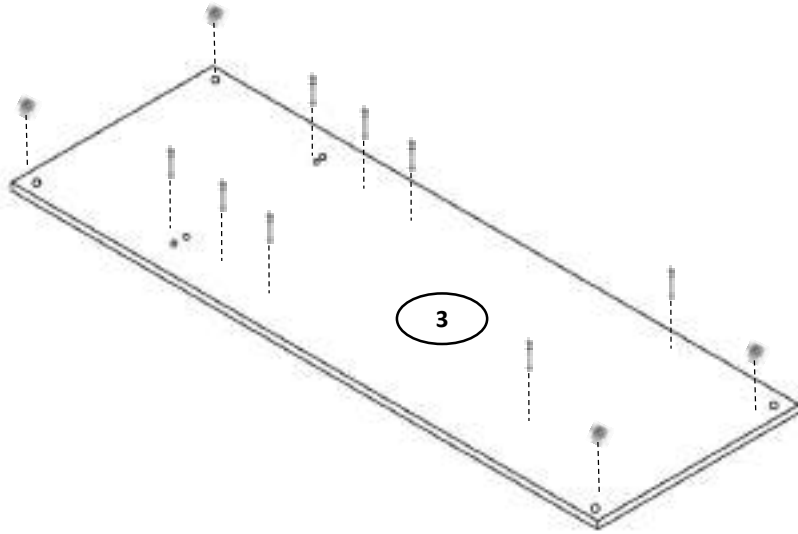
m	Allen key m4	1 PCS
N	M6X25	5 NOS
L	WOODEN KNOB	3 PCS
	PIN BUSH	6 NOS

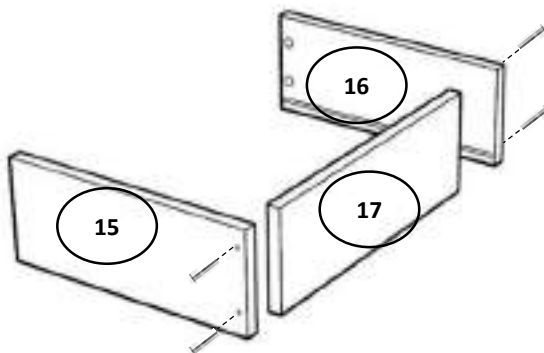
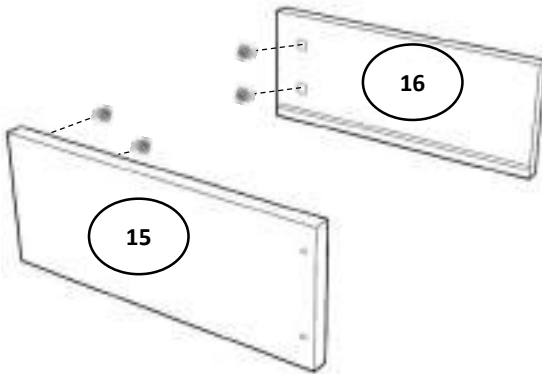
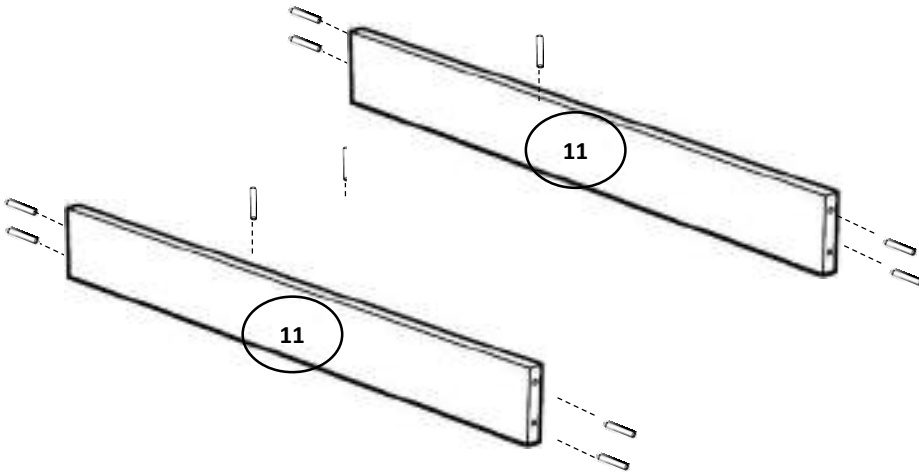


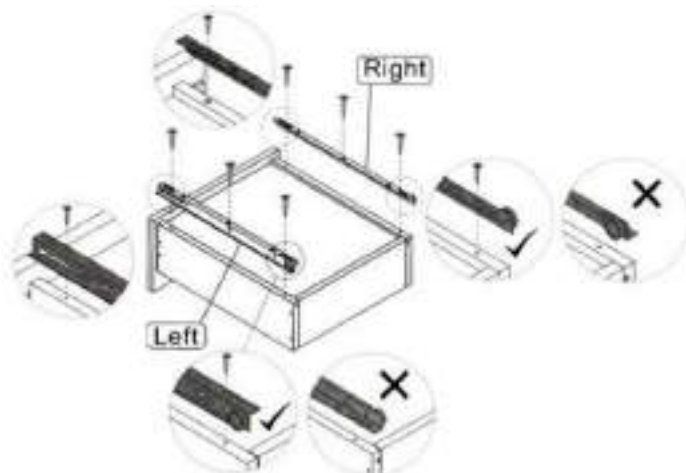
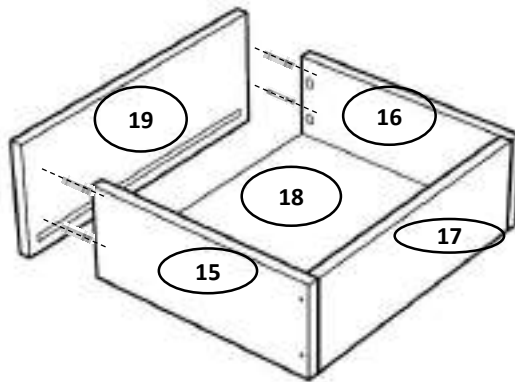
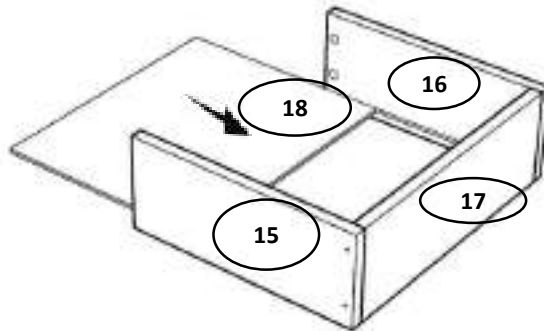
6x40 MM BOLTS INSTALLATION AS BELOW

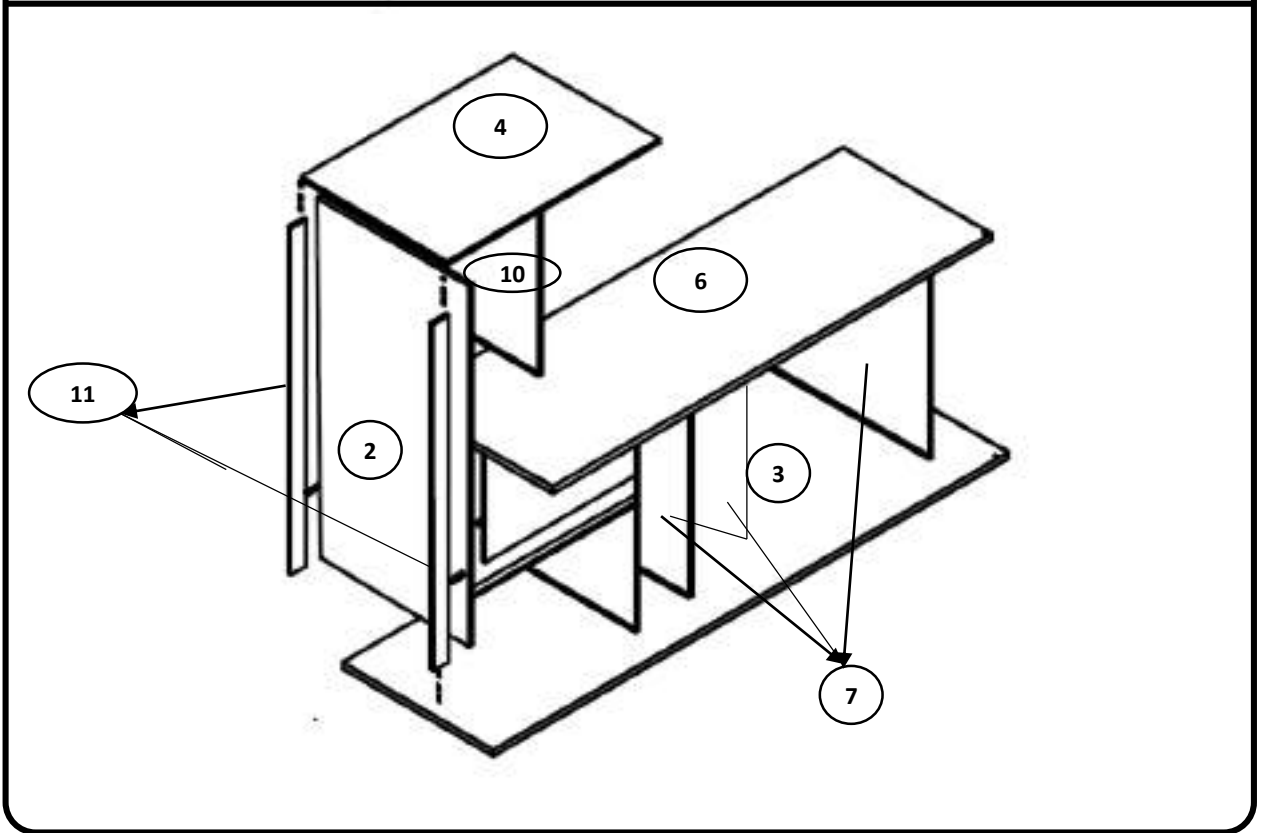
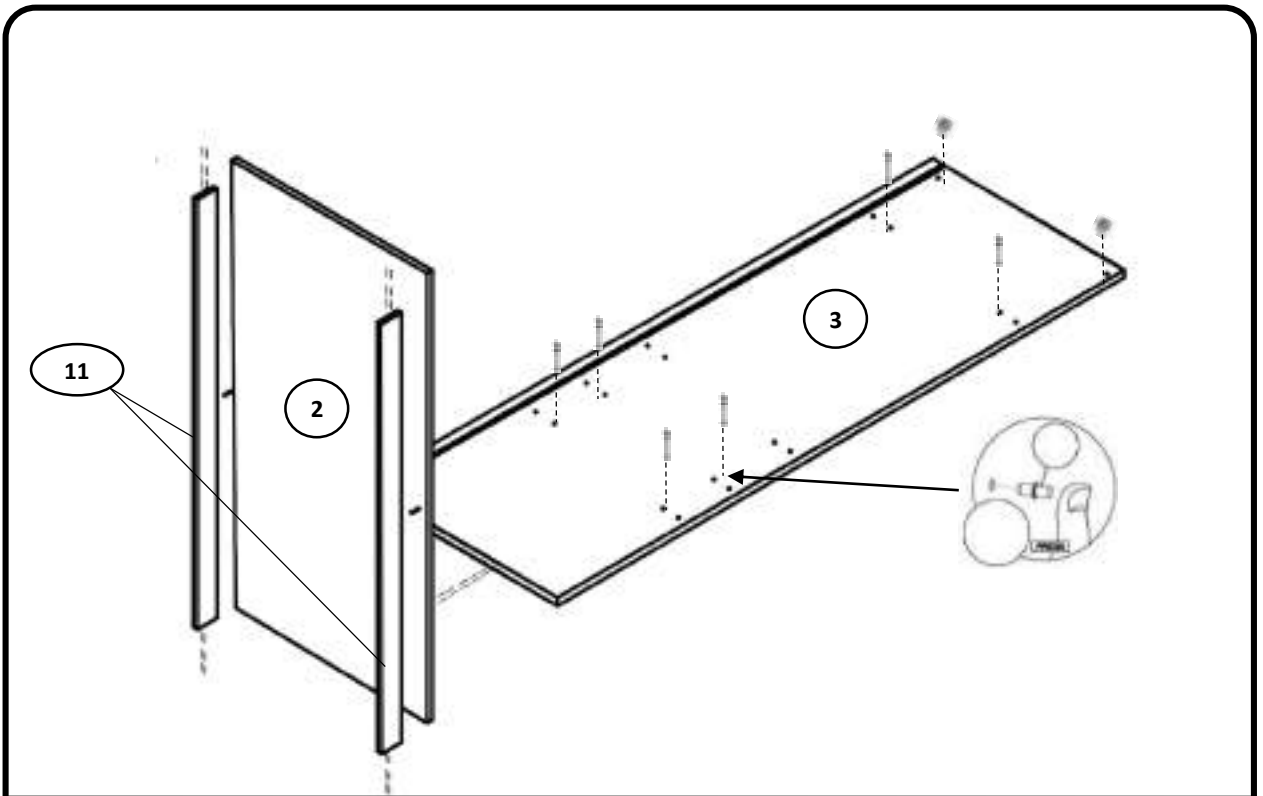


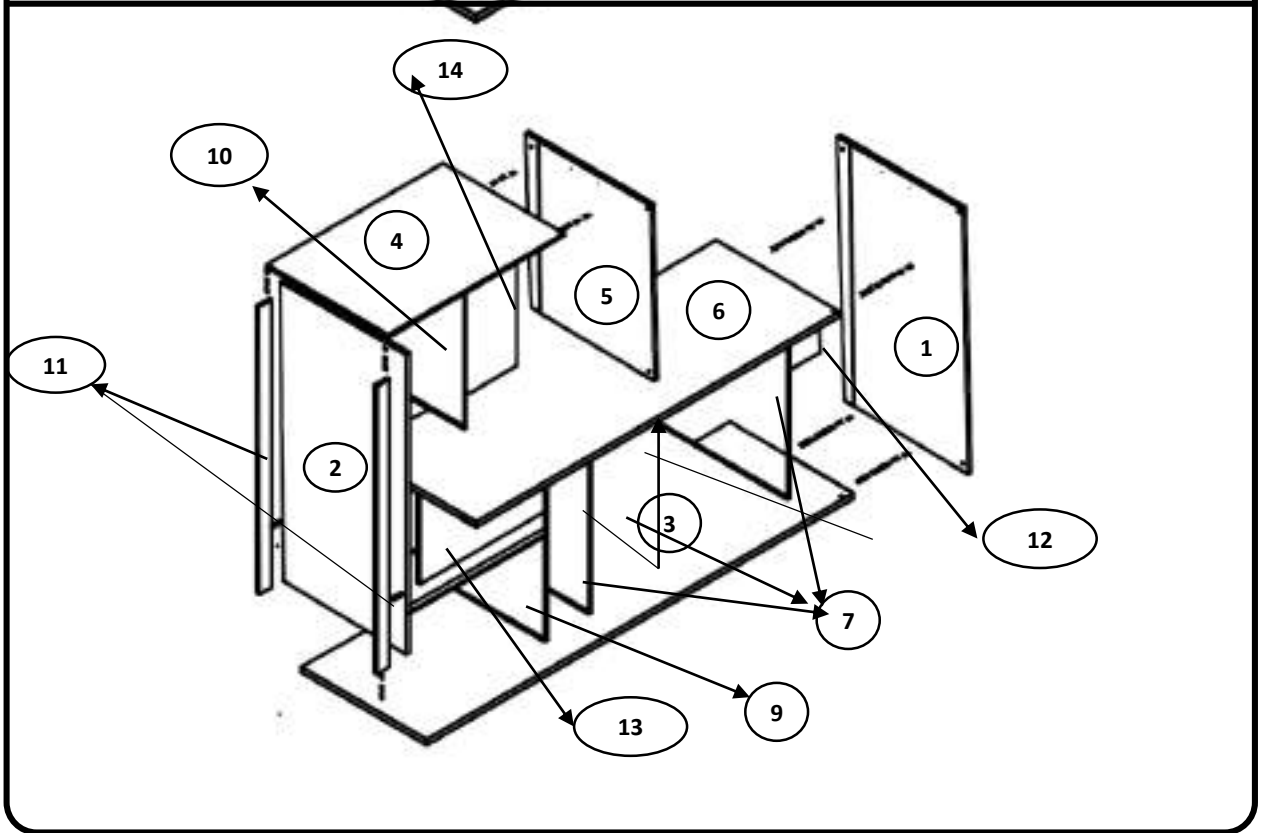
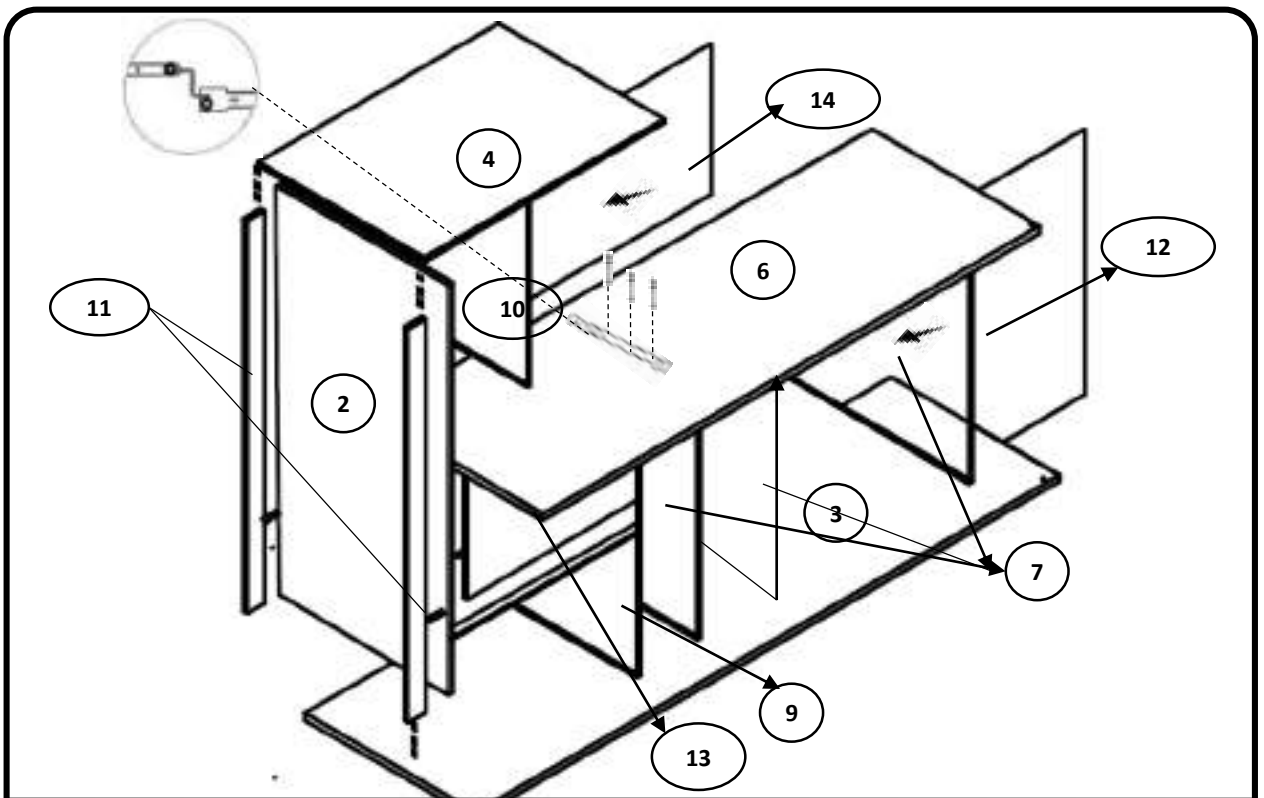


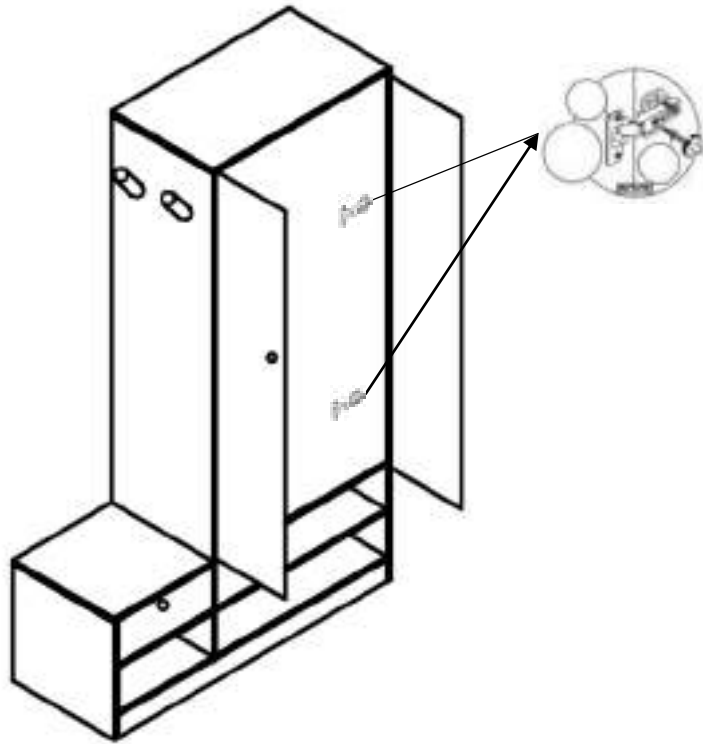




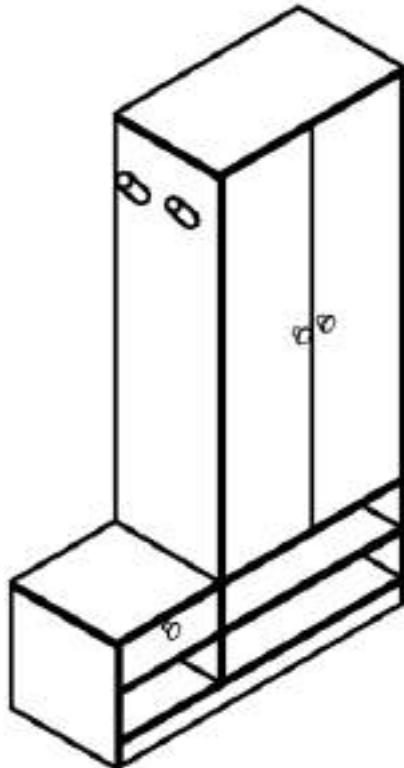








CONGRATULATIONS!!!



GUDSMITH